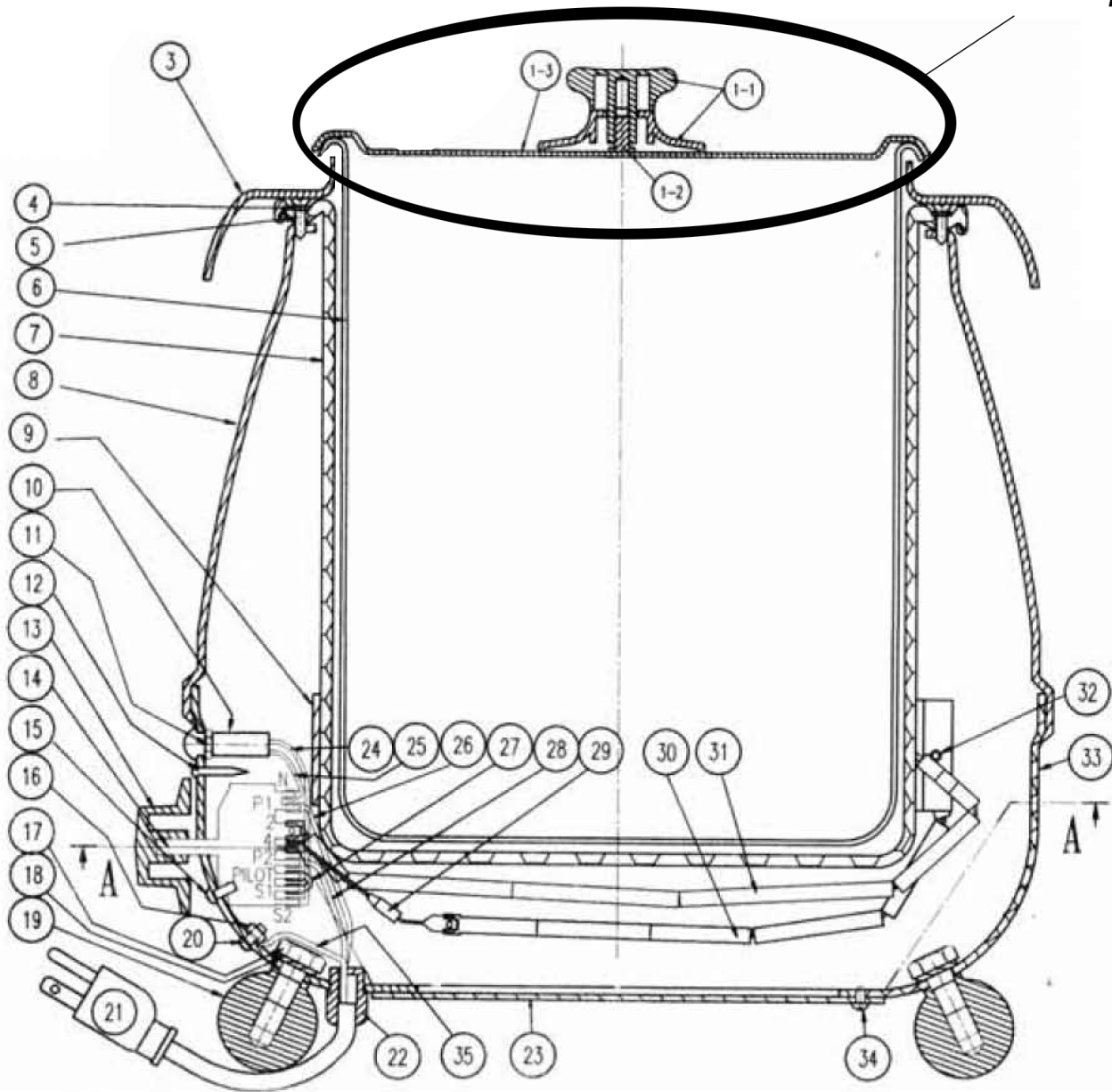


Parts Breakdown

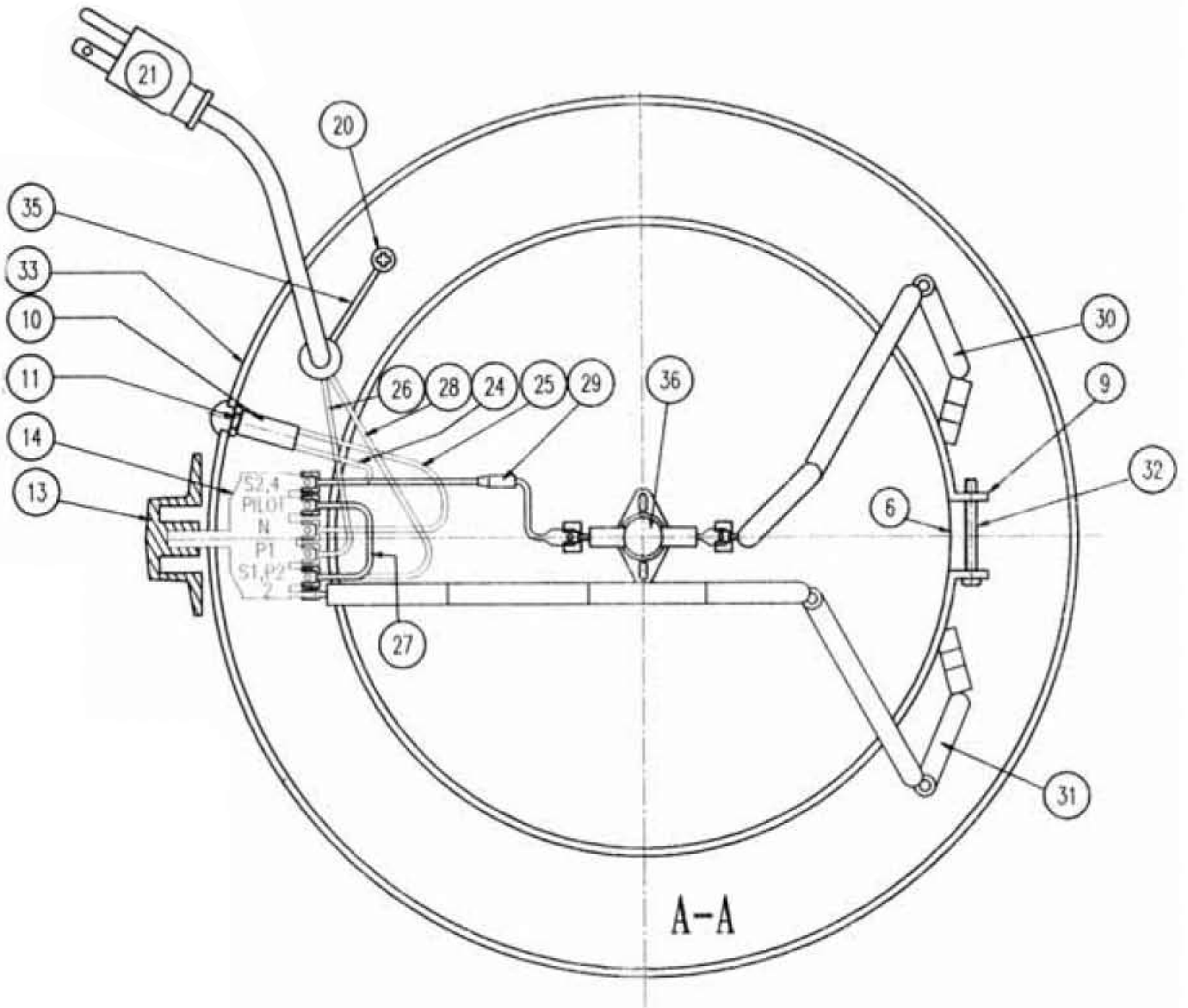
Model FW-CN-0010-P 19072

Sold Complete



Parts Breakdown

Model FW-CN-0010-P 19072



Parts Breakdown

Model FW-CN-0010-P 19072

Item No.	Description	Position	Item No.	Description	Position	Item No.	Description	Position
31547	Complete Lid for 19072	1.1 - 1.3	21071	Indicator Light for 19072	10, 11, 24, 25	21082	Chief Plug for 19072	21
21064	Ring Lid for 19072	3	21073	Red Plastic for 19072	12	21083	Line Clamp for 19072	22
21065	Silicon Rubber Washer for 19072	4	63218	Turning Knob for 19072	13	21084	Protective Ground Connection for 19072	23
21066	M4x12 Stainless Steel Screw for 19072	5	21075	Thermostat for 19072	14, 26 - 28	21090	Thermal Cutoff Wire for 19072	29
21067	Stainless Steel Insert for 19072	6	21076	M4x6 Galvanized Screw for 19072	15	21095	M4x10 Screw for 19072	34
21068	Aluminum Kettle for 19072	7	21077	M4 Screw Cap for 19072	16	21096	Ground Line for 19072	35
21069	Upper Exterior for 19072	8, 33	21078	M10 Screw Cap (Three) for 19072	17 - 19	21097	Thermal Cut-Off for 19072	36
21070	Heating Element for 19072	9, 30 - 32	21081	M4x6 Galvanized Screw for 19072	20			