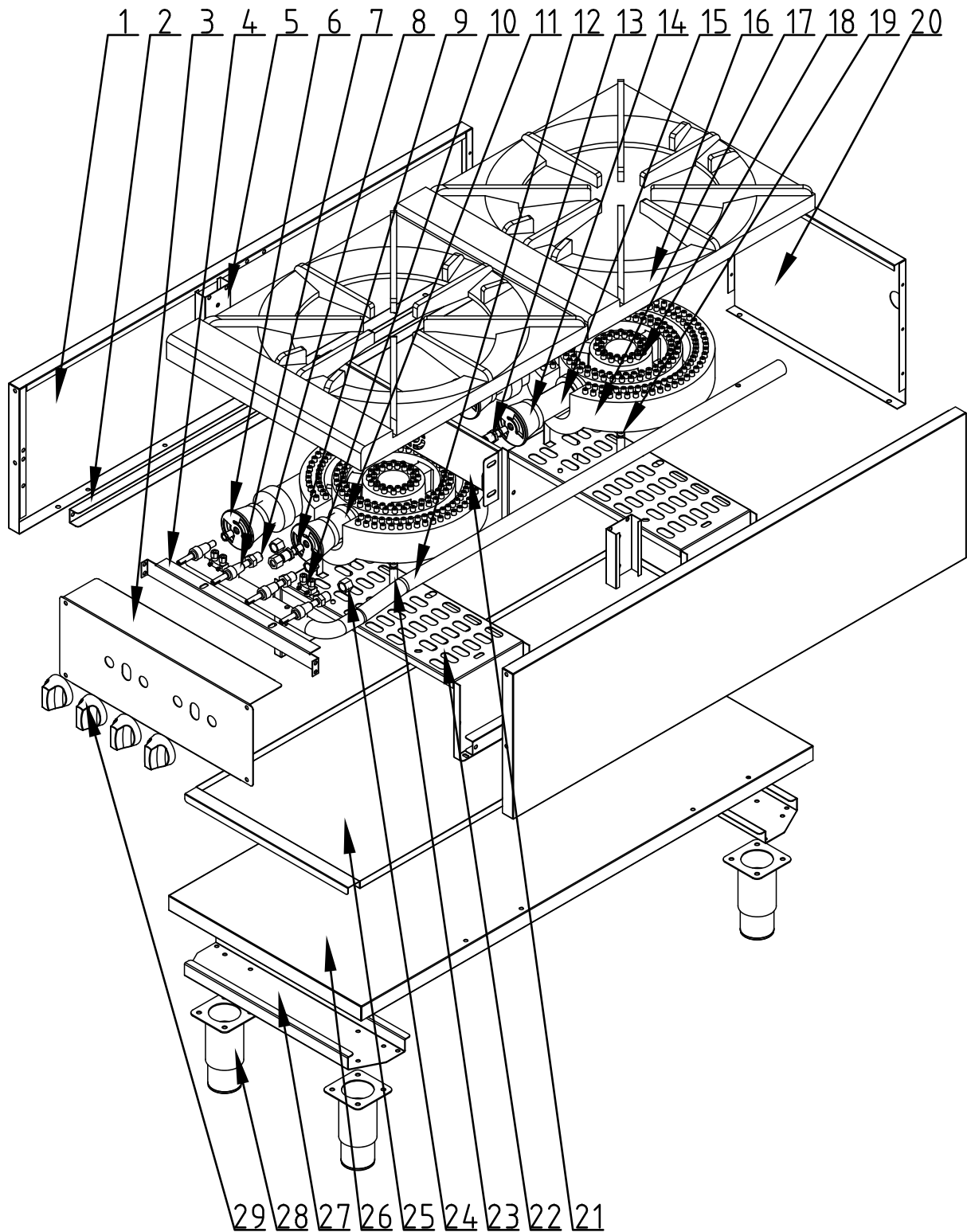


Parts Breakdown

Model CE-CN-1060-S 37529



Parts Breakdown

Model CE-CN-1060-S 37529

Item No.	Description	Position	Item No.	Description	Position	Item No.	Description	Position
70248	Body Sides for 37529	1	70258	Connection Pipe-Short for 37529	11	70268	Nozzle Supporter for 37529	21
70249	Drip Pan Rail for 37529	2	70259	Gas Pipe for 37529	12	70269	Burner Supporter for 37529	22
70250	Front Panel for 37529	3	70260	Nozzle Join Part B for 37529	13	70270	Pilot Supporter for 37529	23
70251	Gas Pipe Holder for 37529	4	70261	Join Part for 37529	14	70271	M16 x 1.25 Nut with Dia 10 for 37529	24
70252	Body Sides Support for 37529	5	70262	Connection Pipe-Long for 37529	15	70272	Drip Pan for 37529	25
70253	Adjustable Regulator for 37529	6	70263	Top Grates for 37529	16	70273	Lower Body Panel for 37529	26
70254	Gas Valve for 37529	7	70264	Outer Burner for 37529	17	70274	Adjustable Feet Support for 37529	27
70255	Nozzle Join Part A for 37529	8	70265	Inner Burner for 37529	18	70275	Feet for 37529	28
70256	Nozzle for 37529	9	70266	Pilot Igniter for 37529	19	70276	Knob for 37529	29
70257	Gas Pilot Valve for 37529	10	70267	Body Back for 37529	20			