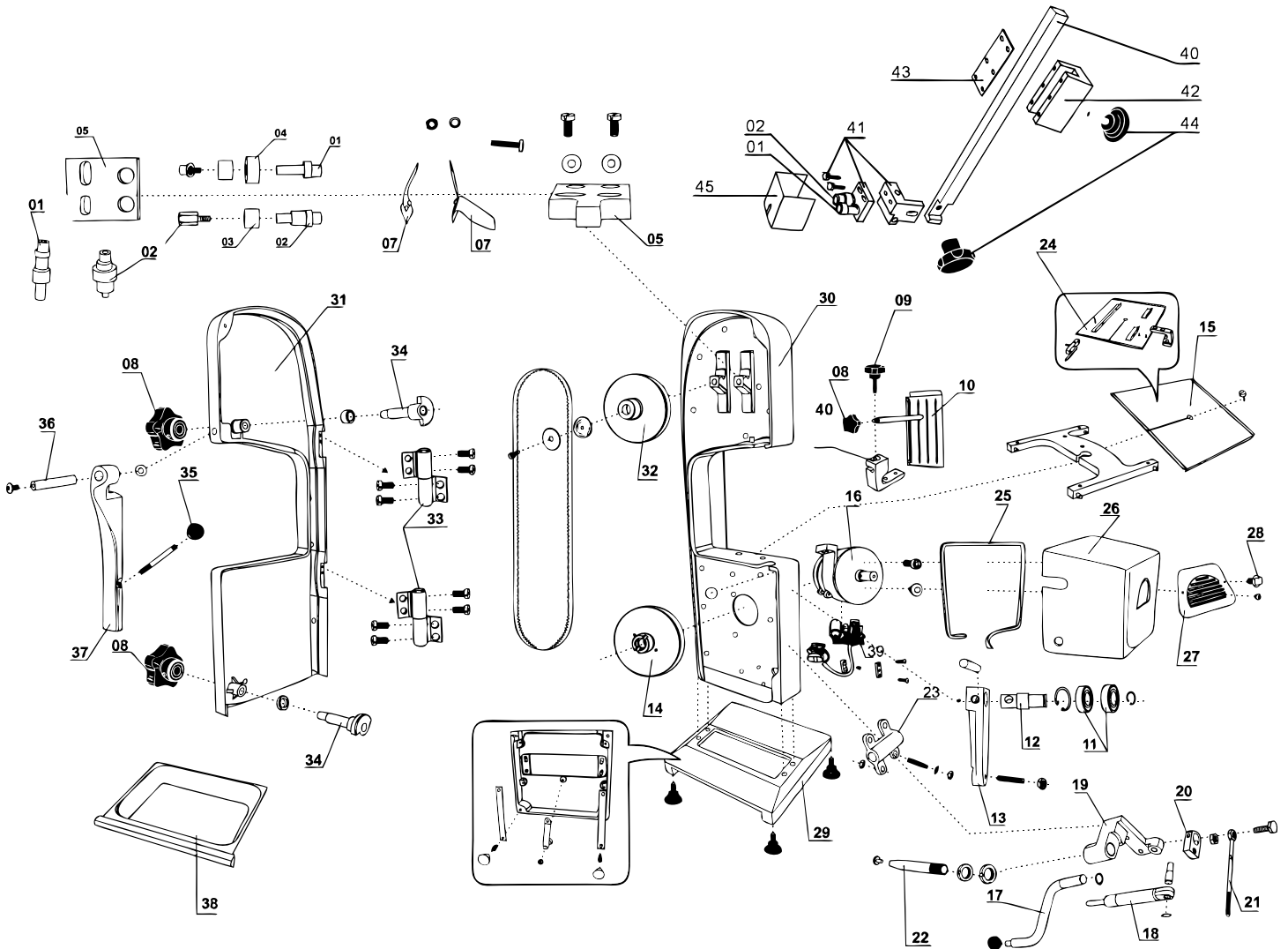


Parts Breakdown

Model BS-CN-2000 19458



Parts Breakdown

Model BS-CN-2000 19458

Item No.	Description	Position	Item No.	Description	Position	Item No.	Description	Position
30470	Eccentric Small Shaft for 19458	1	30486	Motor Tensioning Handle for 19458	17	30500	Driving Wheel for 19458	32
30471	Champing Wheel Axle for 19458	2	30487	Pneumatic Spring for 19458	18	30501	Hinge for 19458	33
30472	Clamping Sleeve for 19458	3	30488	Motor Tensioning Seat for 19458	19	30502	Locking Block for 19458	34
30473	Positioning Wheel for 19458	4	30489	Tensioning Seat Rotation Block for 19458	20	30503	Meat Pressing Block Handle for 19458	35
30474	Meat Scraping Seat for 19458	5	30490	Motor Tensioning Bolt for 19458	21	30504	Meat Pressing Block Lock for 19458	36
30475	Clamping Screw for 19458	6	30491	Motor Overturning Axle for 19458	22	30505	Meat Pressing Block for 19458	37
30476	Meat Scraping Supporting Sheet for 19458	7	30492	Motor Overturning Axle Seat for 19458	23	30506	Water Pressing Tray for 19458	38
30477	Pentas Hand Wheel Five-Star for 19458	8	30493	Dismantling Tools for 19458	24	30507	Electric Board for 19458	39
30478	Locking Handle for 19458	9	30494	Motor Housing Seal for 19458	25	30508	Saw Blade Supporting Frame for 19458	40
30479	Meat Stopper for 19458	10	30495	Motor Housing for 19458	26	30509	Saw Blade Clamping Frame for 19458	41
30480	Driven Wheel Bearing for 19458	11	30496	Motor Housing Heat Sink for 19458	27	30510	Supporting Frame Clamping Case for 19458	42
30481	Driving Axle for 19458	12	30497	Locking Nut for 19458	28	30511	Gasket for 19458	43
30482	Driving Axle Stand for 19458	13	30498	Base for 19458	29	30512	Bellows Handle for 19458	44
30483	Driven Wheel for 19458	14	30517	Foot for 19458	29A	30513	Clamping Decorative Cover for 19458	45
30484	Carrying Plate for 19458	15	30499	Enclosure 1 for 19458	30	66107	Saw Blade for 19458	
30485	Motor for 19458	16	27337	Enclosure 2 for 19458	31			