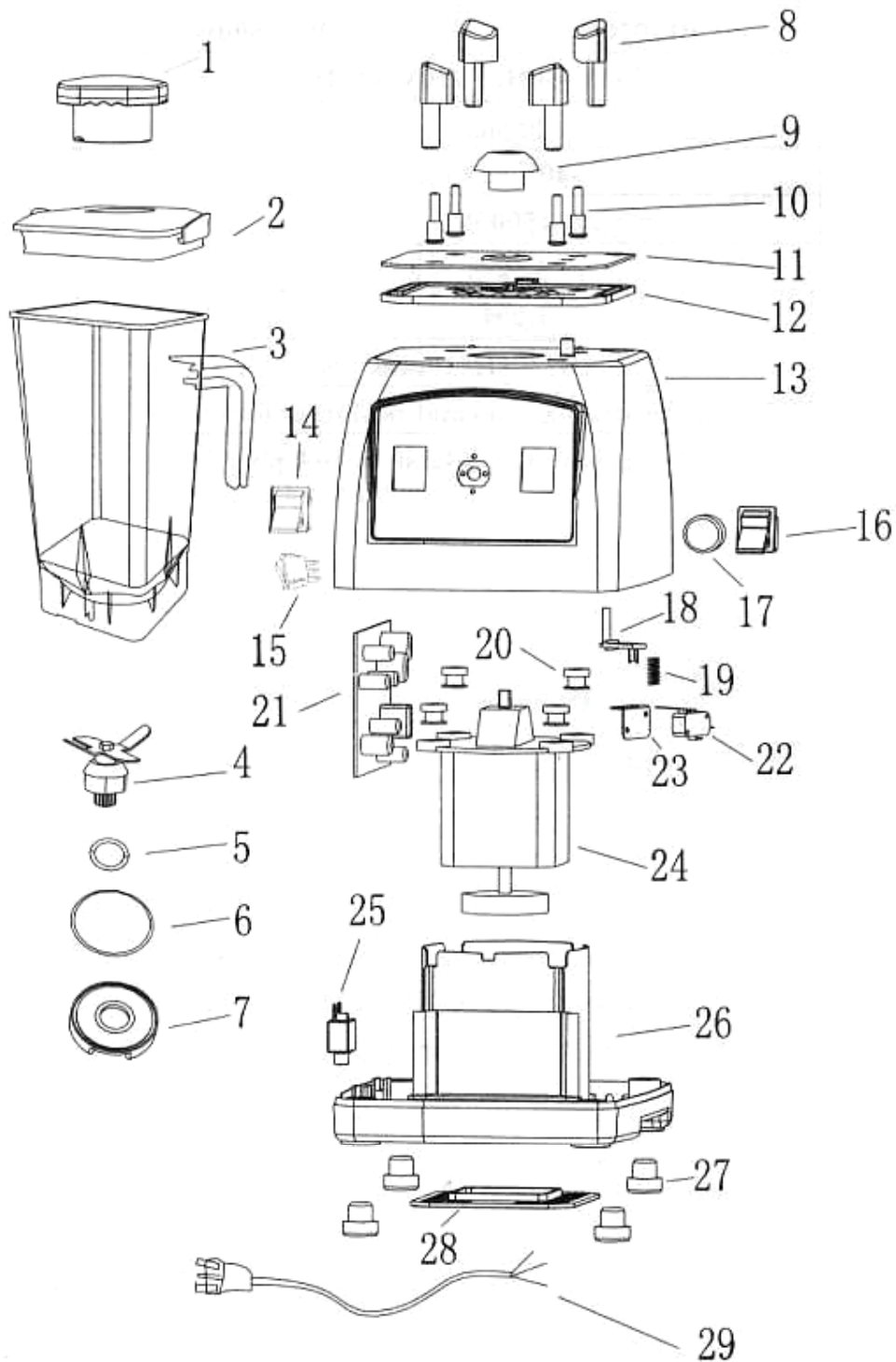


Parts Breakdown

Model **BL-CN-0002-B** 23997



Parts Breakdown

Model BL-CN-0002-B 23997

Item No.	Description	Position	Item No.	Description	Position	Item No.	Description	Position
27038	Fill Cap for 23997	1	26145	Pad (Rubber) for 23997	12	27768	Safety Switch for 23997	22
26141	Jug Lid for 23997	2	26147	Top Cover (ABS Base) for 23997	13	78380	Safety Switch Fitting for 23997	23
26142	Jug for 23997	3	26149	On/Off Switch for 23997	14	41013	Fuse for 23997	25
37130	Blade for 23997	4	37131	Power Switch for 23997	15	26158	Base for 23997	26
26144	Blades Sealing for 23997	5	26151	Pulse Switch for 23997	16	26157	Rubber Feet for 23997	27
37535	Jug Sealing for 23997	6	26150	Speed Knob for 23997	17	78381	Air Outlet Panel for 23997	28
37536	Nut - Stainless Steel for 23997	7	41315	Safety Switch Transmitter for 23997	18	78382	Power Cable & Plug for 23997	29
26146	Pad (Stainless Steel) with Positioning Pin and Screw for 23997	8, 10 - 11	26155	Motor (1500W) with Spring and Shock Proof Ring for 23997	19 - 20, 24			
23998	Clutch for 23997	9	26156	PC Board for 23997	21			