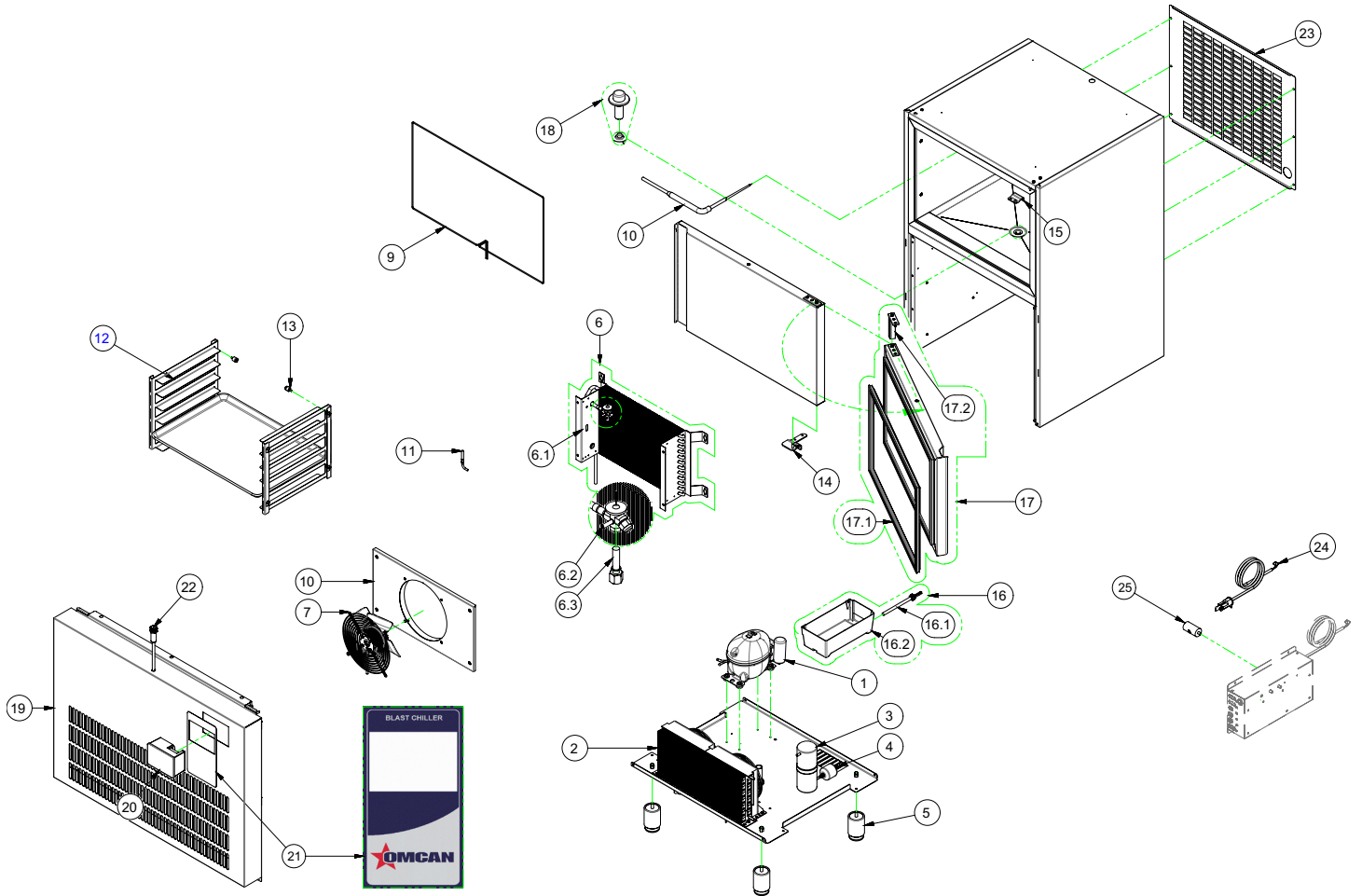


Parts Breakdown

Model BC-IT-0906-T 46673



Parts Breakdown

Model BC-IT-0906-T 46673

| Item No. | Description | Position | Item No. | Description | Position | Item No. | Description | Position |
|----------|---|----------|----------|--|----------|----------|---------------------------------------|----------|
| 42098 | Compressor ASP NJ2192GK R404A for 46673 | 1 | 42114 | Frame Heating Element AB06T 15W/M for 46673 | 9 | 42096 | Door Magnet Gasket AB-E4-06 for 46673 | 17.1 |
| AD103 | Condenser for 46673 | 2 | 42110 | Core Probe PTC 1000 L=3000 Gray for 46673 | 10 | 42094 | Door Pivot Hinge 28L S/F-13 for 46673 | 17.2 |
| AD104 | Liquid Receiver for 46673 | 3 | 42109 | Chamber Probe PTC L=2500 Green for 46673 | 11 | AD100 | Assembled Blast Chiller Cap for 46673 | 18 |
| 42103 | Filter 50x6mm for 46673 | 4 | AD106 | Grid Stead for 46673 | 12 | AD107 | Dashboard for 46673 | 19 |
| AD092 | Adjustable Foot for 46673 | 5 | AD097 | Pin for Grid Stead for 46673 | 13 | AD085 | Electronic Card EVJ815P9PX3 for 46673 | 20 |
| AD105 | Evaporating Unit for 46673 | 6 | 42118 | Right Inferior Hinge for 46673 | 14 | AD086 | Adhesive Mask Omcan for 46673 | 21 |
| 42100 | Evaporator AB-05 for 46673 | 6.1 | 42116 | Right Superior Hinge for 46673 | 15 | AD087 | Magnetic Microswitch for 46673 | 22 |
| AD094 | Thermostatic Valve for 46673 | 6.2 | 42120 | Evaporation Water Tank 190W L=1500 for 46673 | 16 | AD108 | Rear Cover for 46673 | 23 |
| 42102 | Conic Orifice 01 for 46673 | 6.3 | AD098 | PTC Resistance 190W for 46673 | 16.1 | AD090 | Power Supply Cable for 46673 | 24 |
| 42111 | ZHIEL Fan AB D=300 + 2COND for 46673 | 7 | AD099 | Evaporating Bowl for 46673 | 16.2 | 42113 | Electric Condenser 2MF for 46673 | 25 |
| AD095 | Conveyor for 46673 | 8 | 42119 | Foamed Door AB ECO-E4-06 DX for 46673 | 17 | | | |