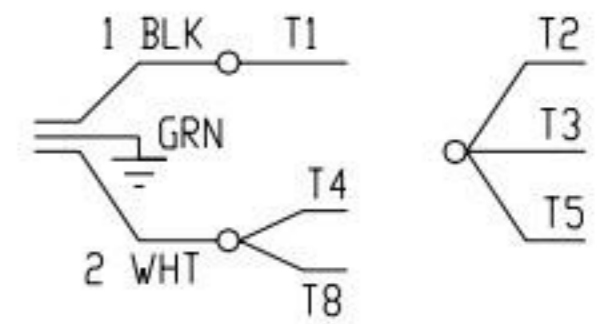
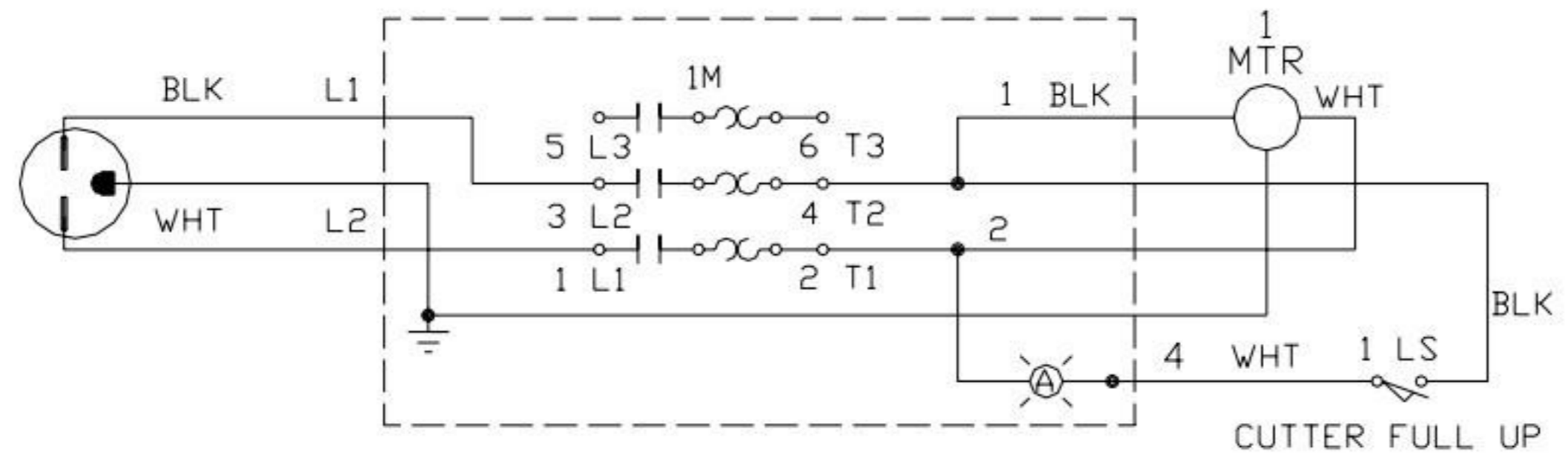


230 VAC
 1 PH 60 HZ
 2 HP 1750 RPM
 10.0 AMPS



LEESON
 230VAC CONNECTION
 DIAGRAM

