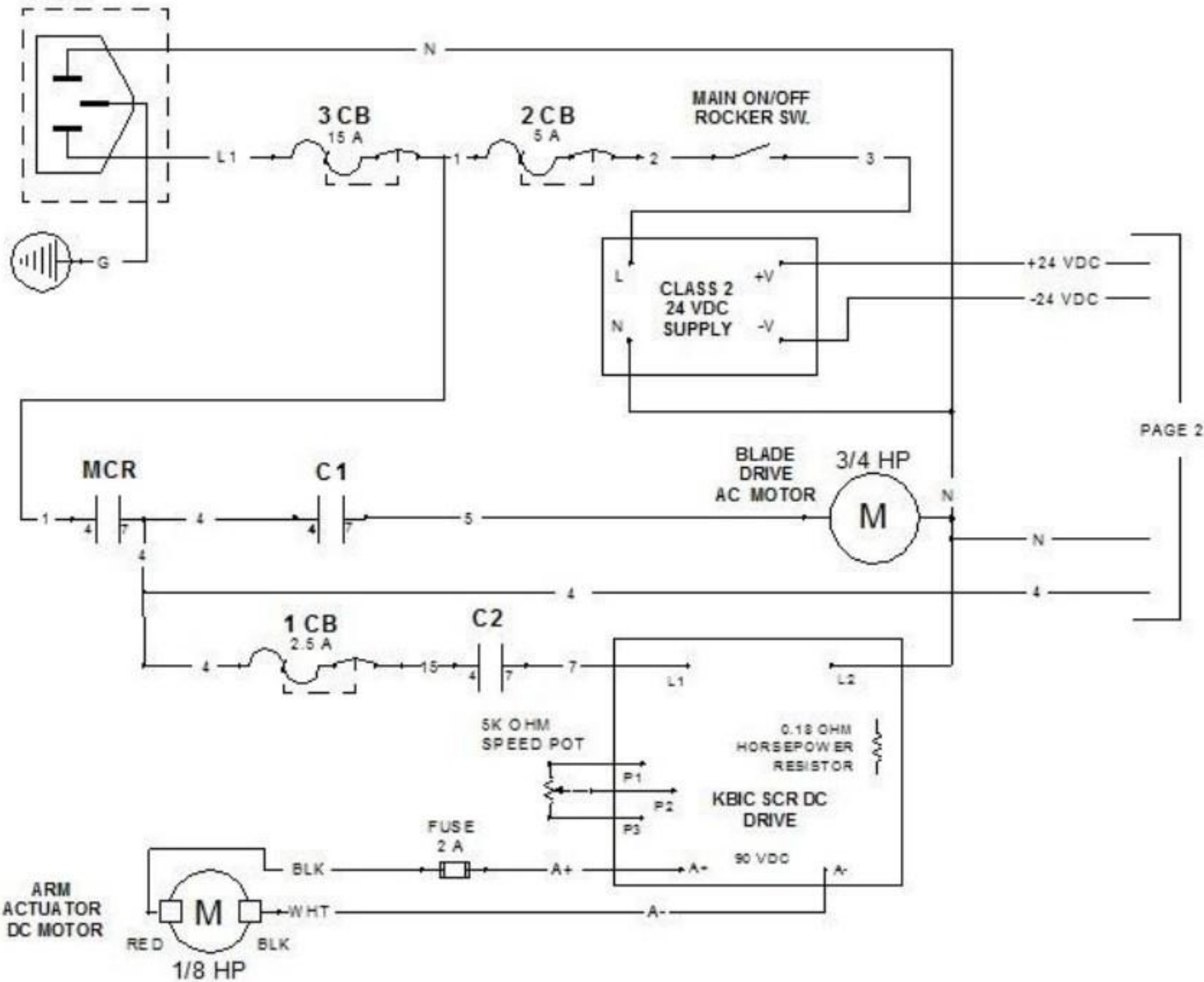
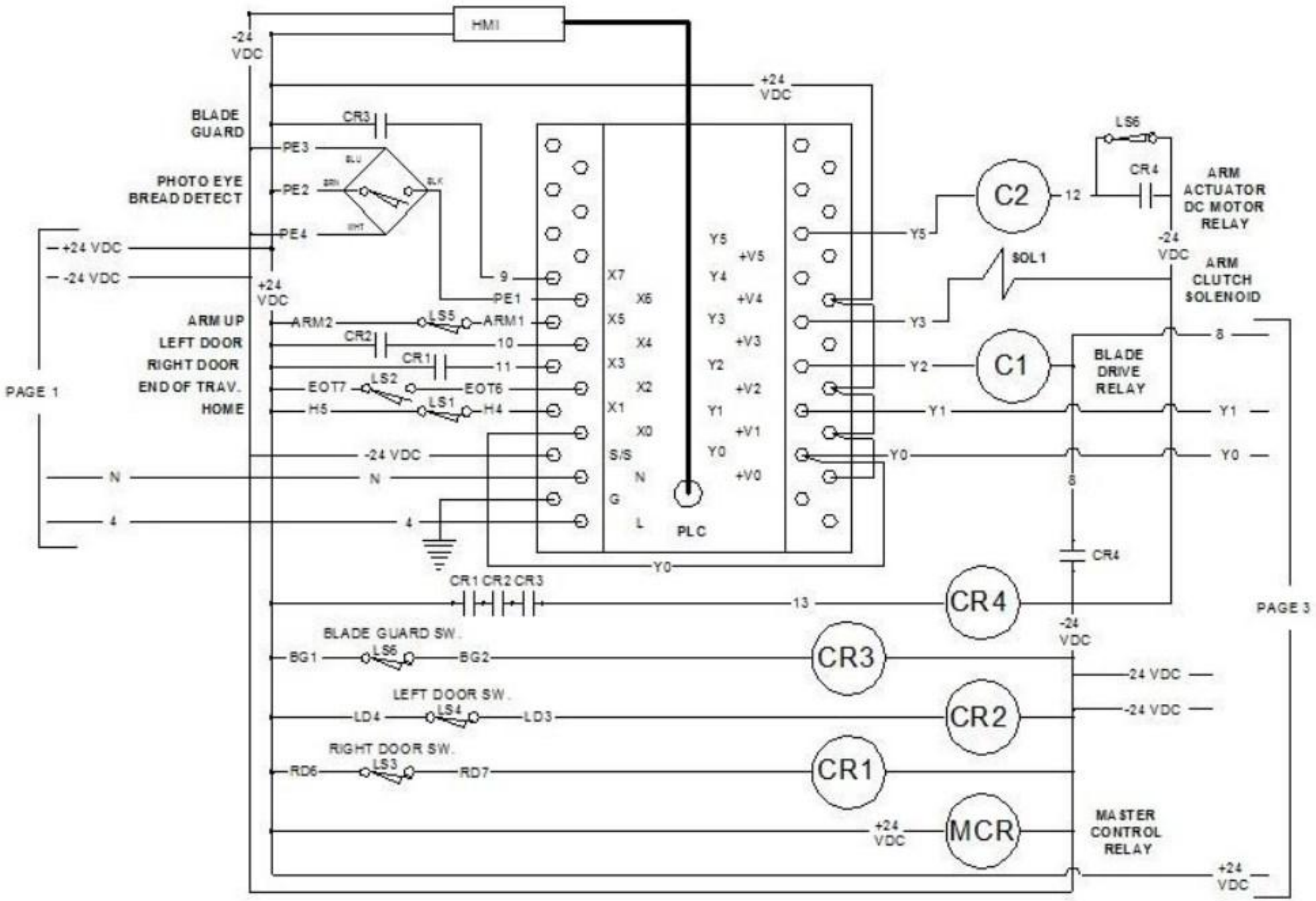


120 VAC, 60 HZ SINGLE PHASE



WIRE DIAGRAM 1-60-115 PAGE 1 OF 3



PAGE 1

PAGE 3

+24 VDC

-24 VDC

-24 VDC

-24 VDC

R1
2.2K
1/4W

R2
2.2K
1/4W

Y0A

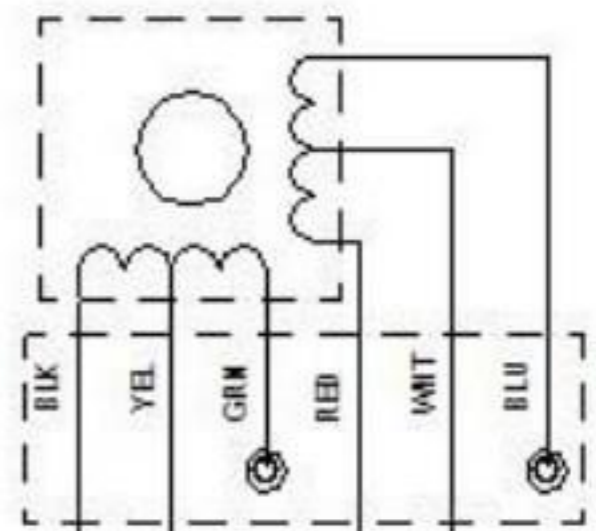
Y1A

-24 VDC

-24 VDC

+24
VDC

STEPPING MOTOR
PK296A1A-SG7.2
5.5 VDC 1.5A



SMB8

SMY5

SMR4

SMW1

B -
+
A -
+
VDC -
+
8

+24 VDC

VDC

STEPPING
MOTOR DRIVE

+ STEP
-
+ DIR
-
+ EN
-