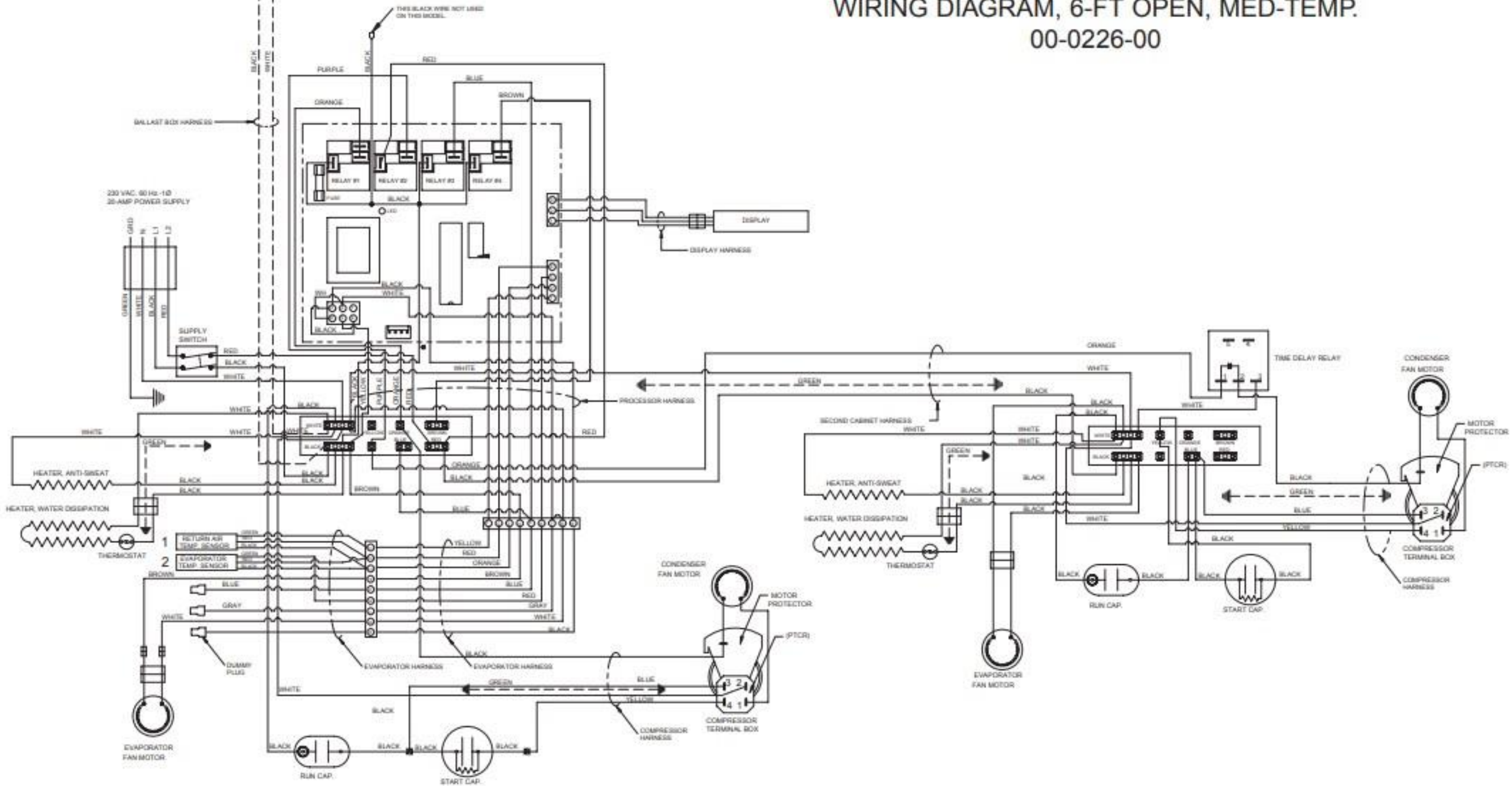
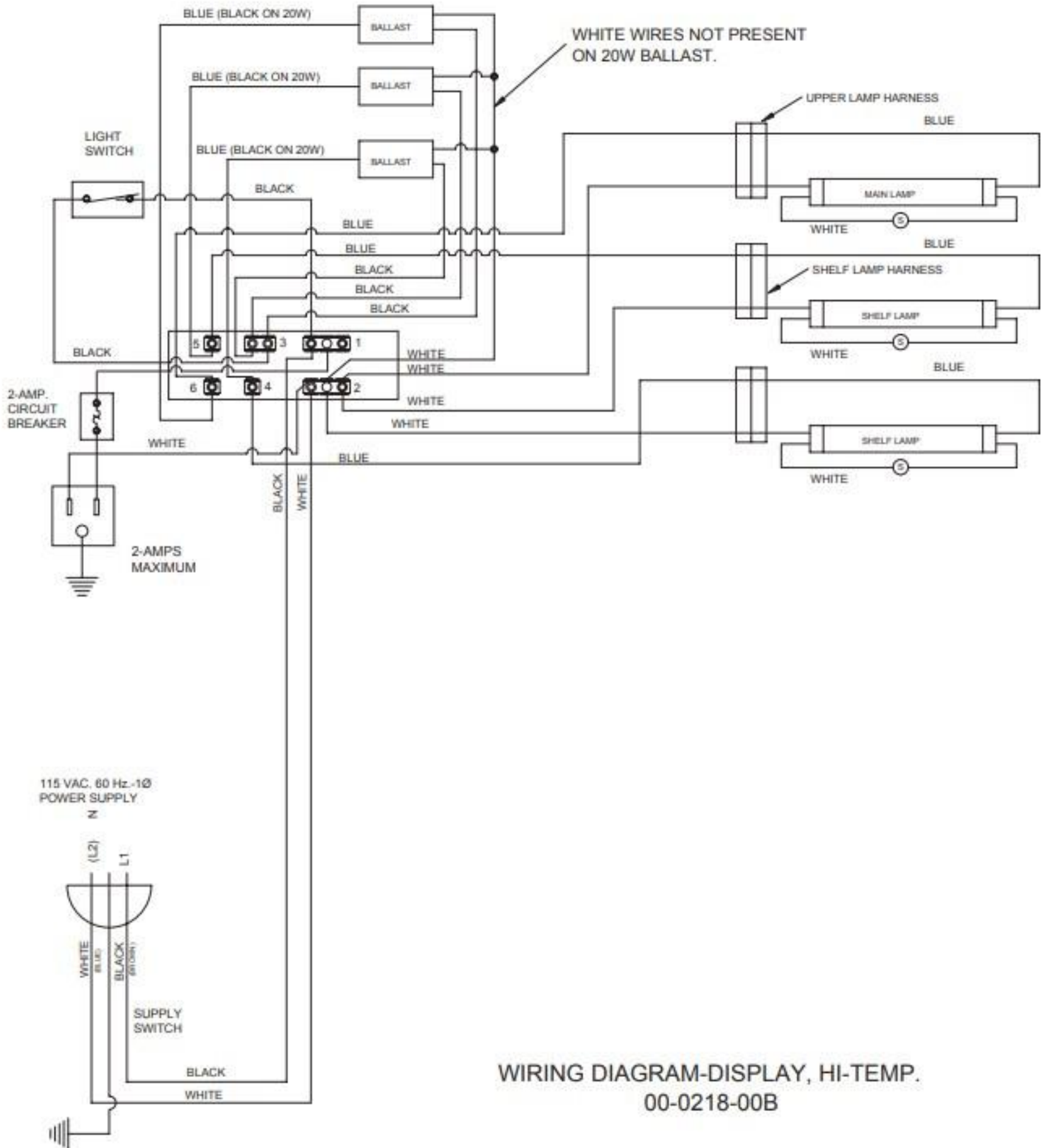
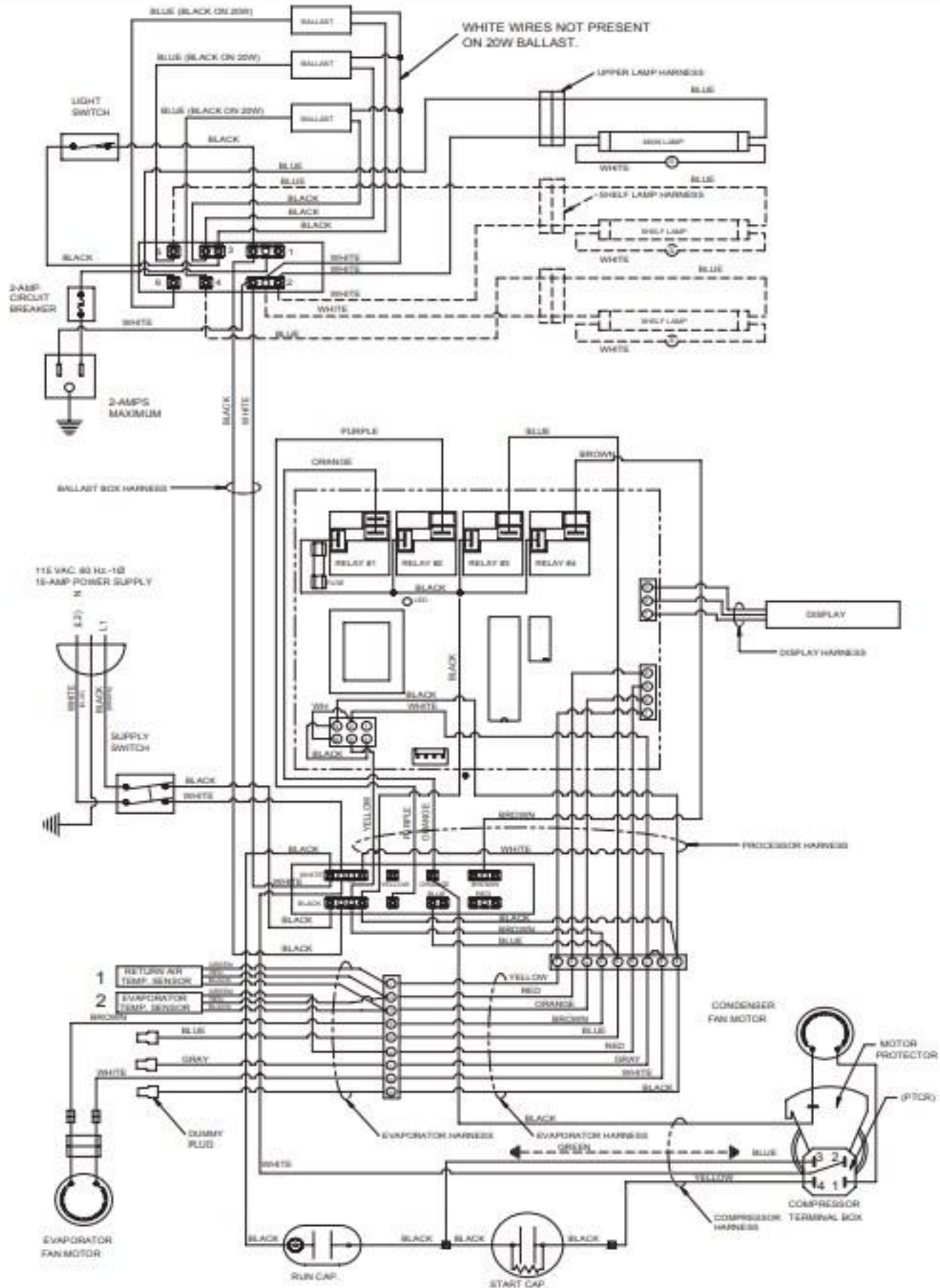


WIRING DIAGRAM, 6-FT OPEN, MED-TEMP. 00-0226-00



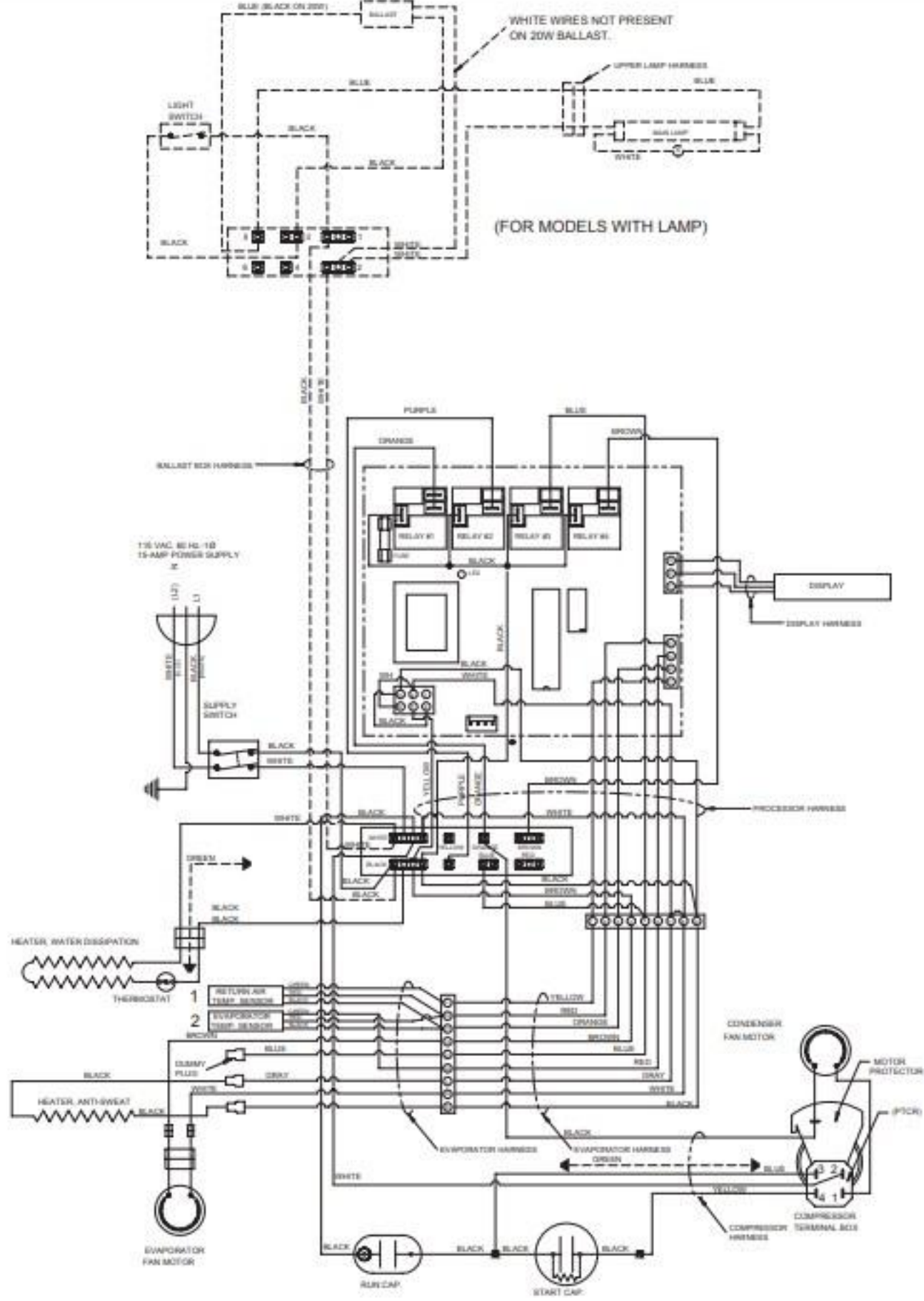


WIRING DIAGRAM-DISPLAY, HI-TEMP.
 00-0218-00B



WIRING DIAGRAM-DISPLAY, MED-TEMP.

00-0217-00



WIRING DIAGRAM-OPEN, MED-TEMP.