



Illustrated Parts Breakdown

**Models: P8AC, PG8AC
P8ACSL, PG8ACSL**



SPECIFICATIONS:

Models: P8AC, PG8AC

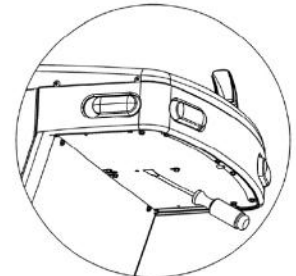
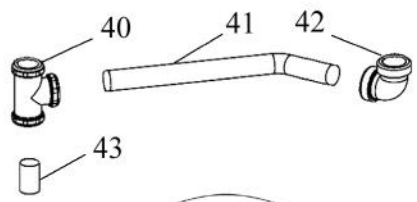
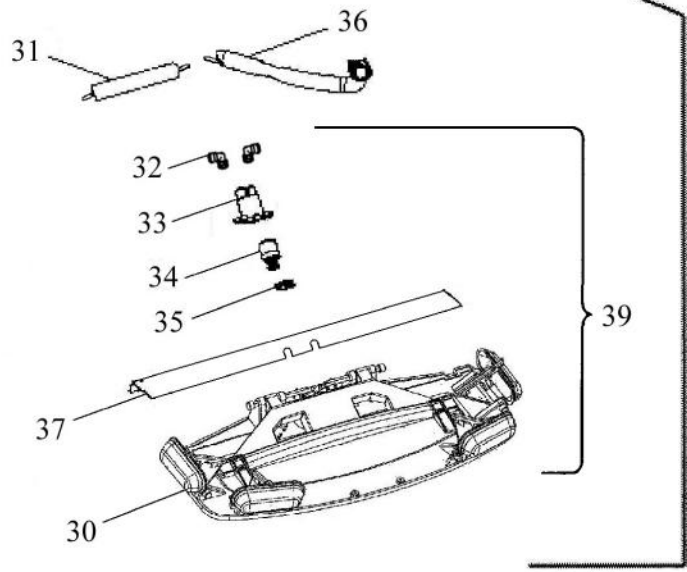
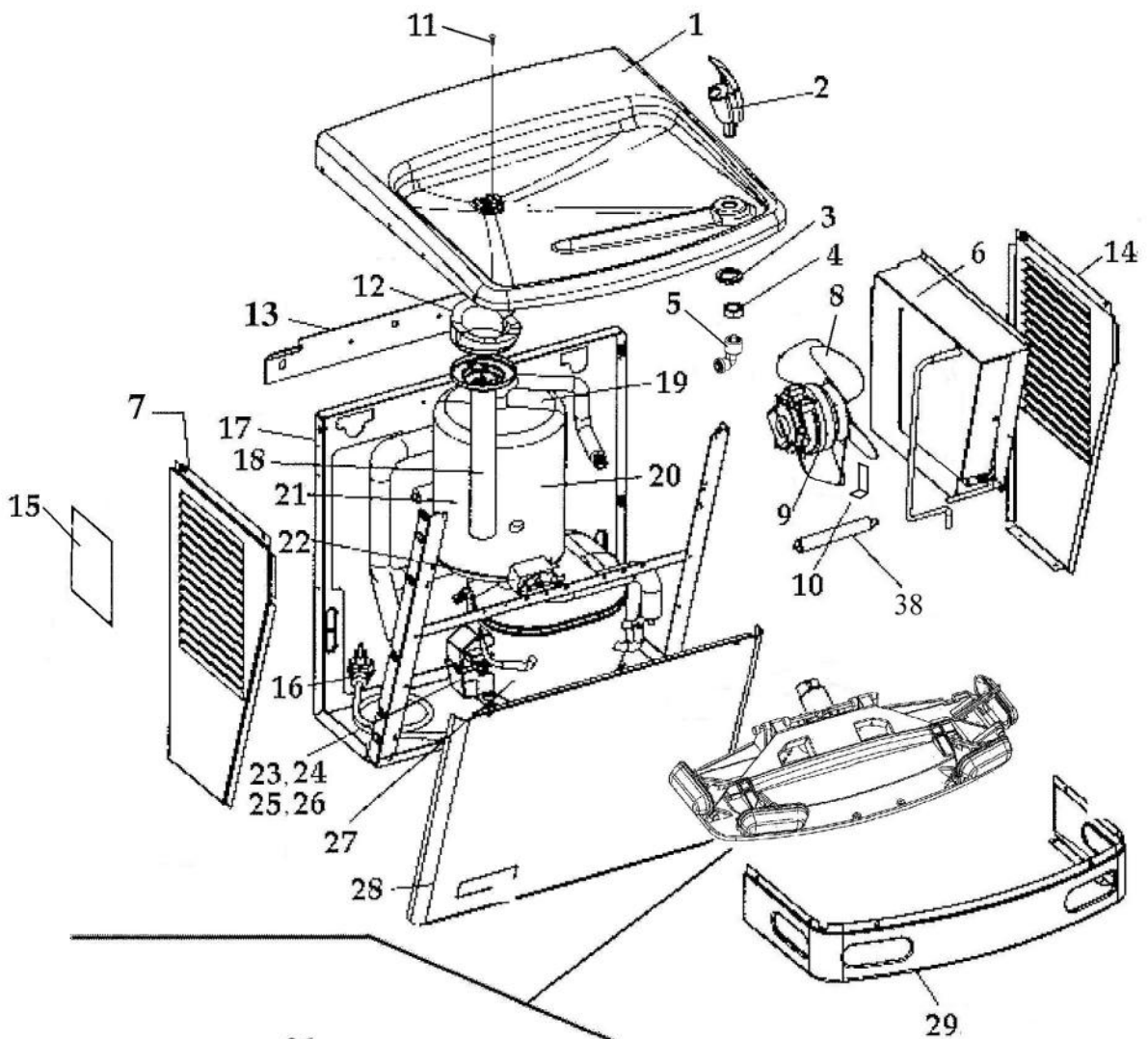
| | |
|----------------------------------|-----------------------------------|
| Voltage | 115VAC±10%/1 PH/60 Hertz |
| Size | 17 5/8" W, 18 5/8" D, 18 29/32" H |
| Shipping Weight (Approx) | 59 lbs. |
| Cold Water Capacity* | 8 GPH |
| Compressor | 1/4 hp |
| Refrigerant | 134a |
| Compressor (Full Load) - Huayi | 4.4 amps |
| Refrigerant Charge - Huayi | 3.95 OZ |
| Compressor (Full Load) - Danfoss | 4.8 amps |
| Refrigerant Charge - Danfoss | 4.75 OZ |

Models: P8ACSL, PG8ACSL

| | |
|----------------------------------|-----------------------------------|
| Voltage | 115VAC±10%/1 PH/60 Hertz |
| Size | 35 1/4" W, 18 5/8" D, 24 29/32" H |
| Shipping Weight (Approx) | 84 lbs. |
| Cold Water Capacity* | 8 GPH |
| Compressor | 1/4 hp |
| Refrigerant | 134a |
| Compressor (Full Load) - Huayi | 4.4 amps |
| Refrigerant Charge - Huayi | 3.95 OZ |
| Compressor (Full Load) - Danfoss | 4.8 amps |
| Refrigerant Charge - Danfoss | 4.75 OZ |

*Room Temperature 90°F; Supply Water Temperature 80°F; Drinking Water Temperature 50°F.

Specifications subject to change without notice.



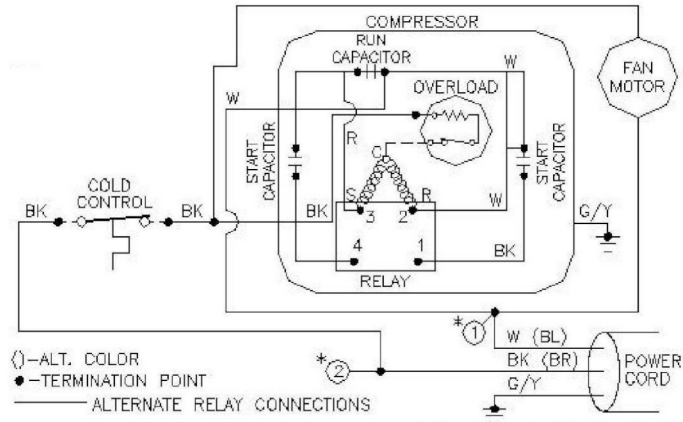
To adjust stream height, insert a 1/8" Flat blade screwdriver into the slotted hole as shown. The screwdriver will engage the stream height adjuster in the cartridge plunger. Turn clockwise to increase stream height, or ccw to reduce stream height.

Parts List

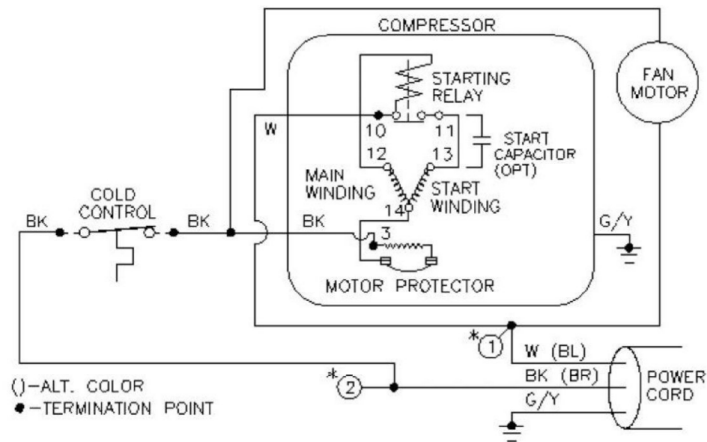
| Item # | Description | PG8AC | PG8ACS | PGACS |
|-----------------|-----------------------------------|---------------|---------------|---------------|
| 1 | Top | 031714-101 | 031714-101 | 031714-101 |
| 2 | Bubbler | 035607-111 | 035607-111 | 035607-111 |
| 3 | Washer, Undertop | 028706-030 | 028706-030 | 028706-030 |
| 4 | Locknut | 026824-019 | 026824-019 | 026824-019 |
| 5 | Bubbler Nut W/JG | 036026-001 | 036026-001 | 036026-001 |
| 6 | Condenser | 031766-201 | 031766-201 | N/A |
| 7 | Side Panel, Left Sandstone | 035080-009 | 035080-309 | 035080-009 |
| | Side Panel, Left Greystone | 035080-001 | 035080-301 | 035080-001 |
| | Side Panel, Left Stainless Steel | 035080-010 | 035080-310 | 035080-010 |
| 8 | Blade, Fan | 024033 | 024033 | N/A |
| 9 | Motor, Fan | 027354-036 | 027354-036 | N/A |
| 10 | Bracket, Fan Motor | 036478-001 | 036478-001 | N/A |
| 11 | Drain Screw | 036049-002 | 036049-002 | 036049-002 |
| 12 | Waste Gasket | 031756-002 | 031756-002 | 031756-002 |
| 13 | Hanger Bracket | 031363-002 | 031363-002 | 031363-002 |
| 14 | Side Panel, Right Sandstone | 035081-009 | 035081-009 | 035081-309 |
| | Side Panel, Right Greystone | 035081-001 | 035081-001 | 035081-301 |
| | Side Panel, Right Stainless Steel | 035081-010 | 035081-010 | 035081-310 |
| 15 | Patch Plate, Sandstone | N/A | 036142-009 | 036142-009 |
| | Patch Plate, Greystone | N/A | 036142-001 | 036142-001 |
| | Patch Plate, Stainless Steel | N/A | 036142-010 | 036142-010 |
| 16 | Service Cord | 036820-001 | 036820-001 | N/A |
| 17 | Frame | 035089-001 | 035089-001 | 035089-001 |
| 18 | Waste Assy | 036011-001 | 036011-002 | 036009-002 |
| 19 | Insulation Right Cooling Tank | 035088-001 | 035088-001 | N/A |
| 20 | Insulation Left Cooling Tank | 035088-002 | 035088-002 | N/A |
| 21 | Cooling Tank, Insulated - Huayi | 033469-055-SP | 033469-055-SP | N/A |
| | Cooling Tank, Insulated - Danfoss | 033469-001 | 033469-001 | N/A |
| 22 | Cold Control | 027040-039 | 027040-039 | N/A |
| 23 | Relay - Huayi | 036056-003 | 036056-003 | N/A |
| | Relay/Overload Combo - Danfoss | 032836-007 | 032836-007 | N/A |
| 24 | Overload - Huayi | 036055-003 | 036055-003 | N/A |
| 25 | Start Capacitor - 60 MFD - Huayi | 027956-008 | 027956-008 | N/A |
| | Start Capacitor - Danfoss | 027956-004 | 027956-004 | N/A |
| 26 | Run Capacitor - 25 MFD - Huayi | 027956-009 | 027956-009 | N/A |
| 27 | Compressor Assy. - Huayi | 036115-001 | 036115-001 | N/A |
| | Compressor Assy. - Danfoss | 033425-006 | 033425-006 | N/A |
| 28 | Front Panel, Sandstone | 035079-009 | 035079-009 | 035079-009 |
| | Front Panel, Greystone | 035079-001 | 035079-001 | 035079-001 |
| | Front Panel, Stainless Steel | 035079-010 | 035079-010 | 035079-010 |
| 29 | Front Nosepiece, Sandstone | 035077-009 | 035077-009 | 035077-009 |
| | Front Nosepiece, Greystone | 035077-001 | 035077-001 | 035077-001 |
| | Front Nosepiece, Stainless Steel | 035077-010 | 035077-010 | 035077-010 |
| 30 | Activation Assy. | 035412-005-SP | 035412-005-SP | 035412-005-SP |
| 31 | Waterline, Tank to Valve | 035504-011-SP | 035504-011-SP | N/A |
| | Waterline, Inlet to Valve or Tank | 035504-010-SP | 035504-010-SP | N/A |
| 32 | Union Elbow Fitting JG | 028481-101 | 028481-101 | 028481-101 |
| 33 | Cartridge Holder | 035990-001 | 035990-001 | 035990-001 |
| 34 | Cartridge | 029967-005 | 029967-005 | 029967-005 |
| 35 | Retaining Nut, Cartridge | A020957 | A020957 | A020957 |
| 36 | Waterline, Valve to Bubbler | 035504-013-SP | 035504-013-SP | 035504-013-SP |
| 37 | Shelf | 035078-002 | 035078-002 | 035078-002 |
| 38 | Drier | 034343-003 | 034343-003 | N/A |
| 39 | Activation Shelf | 035092-110 | 035092-110 | 035092-110 |
| 40 | Waste Tee | N/A | N/A | A020968 |
| 41 | Waste Arm Assy. | N/A | N/A | 026980-004 |
| 42 | Waste Elbow | N/A | N/A | A020967 |
| 43 | Waste Extension Tube | N/A | N/A | 036010-016 |
| Parts Not Shown | | | | |
| | Strainer, In-Line | 033264-003 | 033264-003 | 033264-003 |
| | Supply Tube Extension | N/A | N/A | 032312-001 |
| | Screw, T15 | 031875-003 | 031875-003 | 031875-003 |
| | Insert, Nameplate OASIS | 020850-002 | 020850-002 | 020850-002 |

Wiring Diagram: P8AC, PG8AC P8ACSL, PG8ACSL

- H3 Series



- D3 Series



OASIS International

222 East Campus View Blvd. - Columbus, OH 43235 U.S.A.
 614/861-1350 - Fax: 614/322-4557
www.oasiscoolers.com