



Illustrated Parts Breakdown



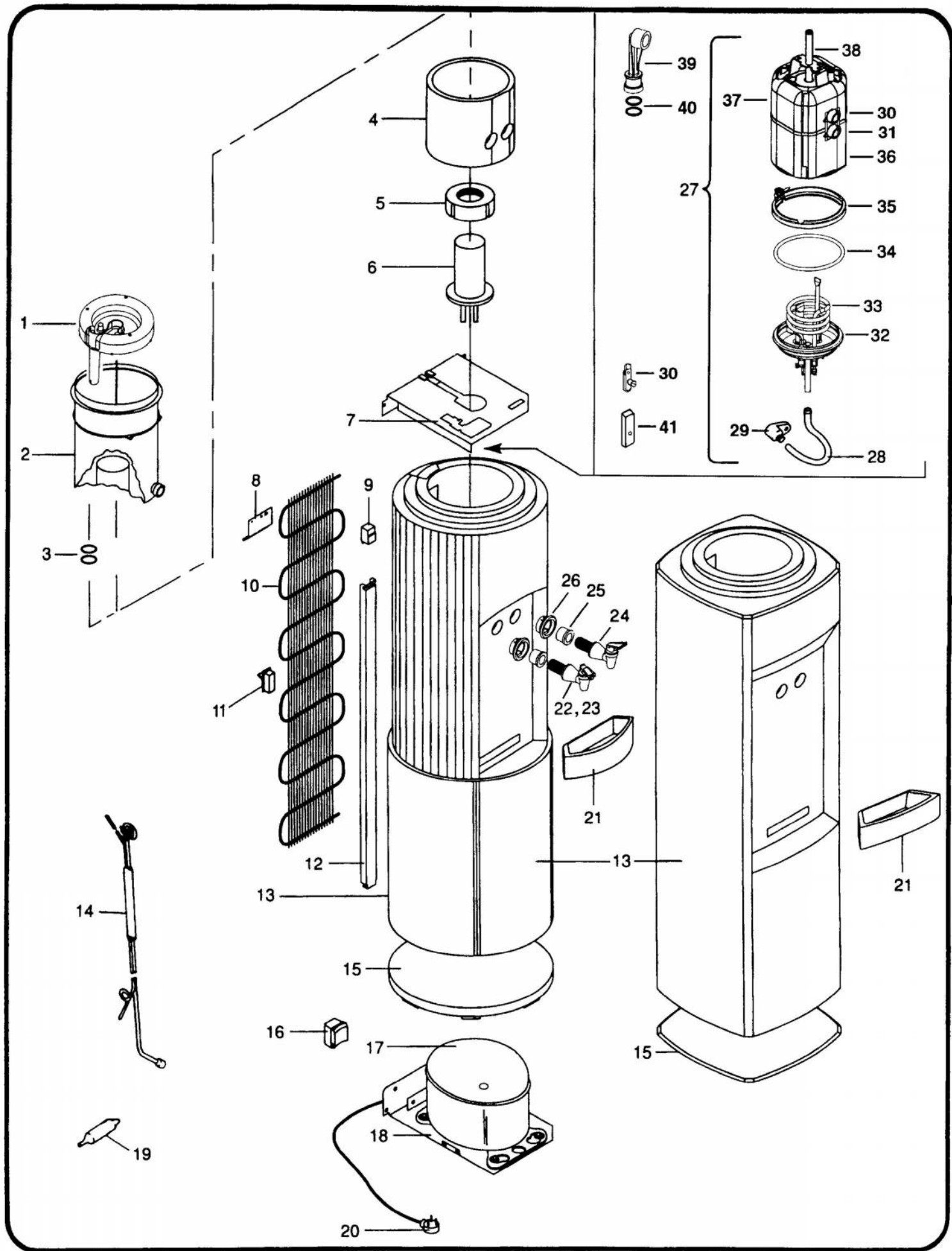
Specifications:

Model B1RRK, B1SRK

Voltage	115VAC, $\pm 10\%$, 1 PH, 60 Hz
Size	38-3/4" H, 13-1/8" W, 13-1/8" D
Shipping Weight	33 lbs.
Cold Water Capacity	.6 GPH
Compressor	1/20 hp
Compressor (Full Load)	1.2 amps
Refrigerant	134a
Refrigerant Charge	1.6 oz.

Model B1RRHS, B1SRHS

Voltage	115VAC, $\pm 10\%$, 1 PH, 60 Hz
Size	38-3/4" H, 13-1/8" W, 13-1/8" D
Shipping Weight	38 lbs.
Cold Water Capacity	.5 GPH
Compressor	1/20 hp
Compressor (Full Load)	5.5 amps
Refrigerant	134a
Refrigerant Charge	1.6 oz.

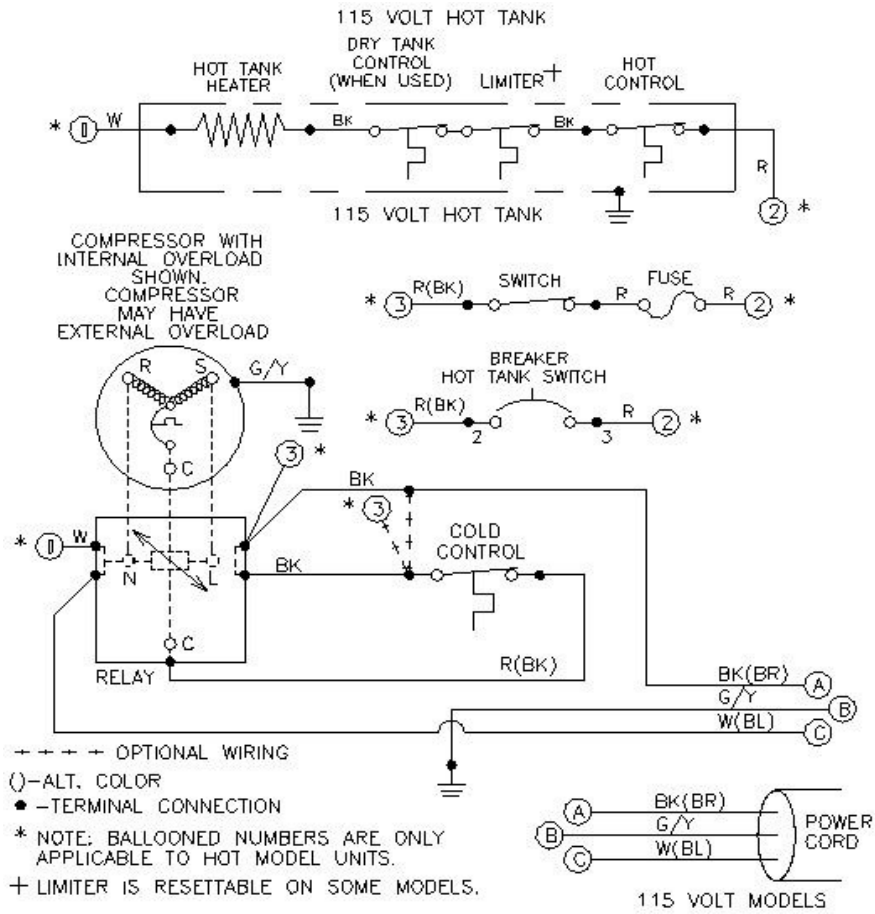


Parts List

Item #	Description	B1RRK, B1SRK	B1RRHS, B1SRHS
1	Baffle	032267-001	032267-001
2	Reservoir	032083-002	031528-009
3	O-Ring (Two Needed)	N/A	030858-220
4	Reservoir Insulation	031427-001	031427-002
5	Probe Collar	034256-001	034256-001
6	Probe	031539-002	031539-002
7	Shelf	031372-003	031372-003
8	Handle	034050-002	034050-002
9	Cold Control	027040-030	027040-030
10	Condenser	028357-002	028357-002
11	Switch, Hot Tank	N/A	032840-001
12	Strut	031374-001	031374-001
13	Cabinet Assy. w/Clips, Round	032454-001	032454-001
13	Cabinet Assy. w/Clips, Square	032455-001	032455-001
14	Heat Exchanger	030591-004-SP	030591-004-SP
15	Base, Round	031577-001	031577-001
15	Base, Square	031580-001	031580-001
16	Relay for Secop TL2.5F	026867	026867
16	Overload & Relay Combo for Samsung CD124C-L1Z2	034597-002	034597-002
17	Compressor Assy. - Secop TL2.5F	031530-009	031530-009
17	Compressor Assy. - Samsung CD124C-L1Z2	034549-002	034549-002
18	Base, Metal	031373-001	031373-001
19	Drier, Refrigerant	034343-002	034343-002
20	Cord, Service	026540-047	026540-047
21	Drip Tray, Round	031375-004	031375-004
21	Drip Tray, Square	031581-004	031581-004
22	Faucet, WHI/WHI	033552-001	N/A
23	Faucet, WHI/Red Safety	N/A	033552-003
24	Faucet, WHI/Blue	033552-002	033552-002
25	Gasket, Faucet	031429-001	031429-001
26	Faucet Clip, WHI	032080-001	032080-001
27	Hot Tank Assy.	N/A	037323P005
28	Tube, Drain	N/A	035024-005
29	Hot Tank Drain Valve	N/A	033970-003
30	Control, Hot, Fixed	N/A	033588-004
	Control, Hot, Adjustable	N/A	033451-001
31	Limiter, Heat, (for fixed thermostat)	N/A	033588-003
	Limiter, Heat (for adjustable thermostat)	N/A	Obsolete
32	Heater Pan	N/A	033455-004
33	Element, Heat	N/A	032487-003
34	O-Ring	N/A	030858-402
35	V-Coupling	N/A	032729-001
36	Hot Tank Insulation (with Cut-out for fixed thermostat)	N/A	033460P003
	Hot Tank Insulation (with Bulge for adjustable thermostat)	N/A	033460-001
37	Hot Tank Insulation	N/A	033460-002
38	Hot Tank Body, Upper (with Fixed thermostat & heat limiter)	N/A	037811-001
	Hot Tank Body, Upper (without adjustable thermostat)	N/A	033465-014
39a	Hot Tank Fitting Plastic	N/A	032020-002
39b	Hot Tank Fitting Stainless	N/A	037582-001
40	O-Ring (Two Needed)	N/A	030858-220
41	Cover, Thermostat (for adjustable thermostat)	N/A	033452-001

Wiring Diagrams:

B1RRK, B1SRK, B1RRHS, B1SRHS



OASIS International
 222 East Campus View Blvd · Columbus, Ohio 43235 U.S.A.
 1-800-64-OASIS (1-800-646-2747)
 www.oasiscoolers.com