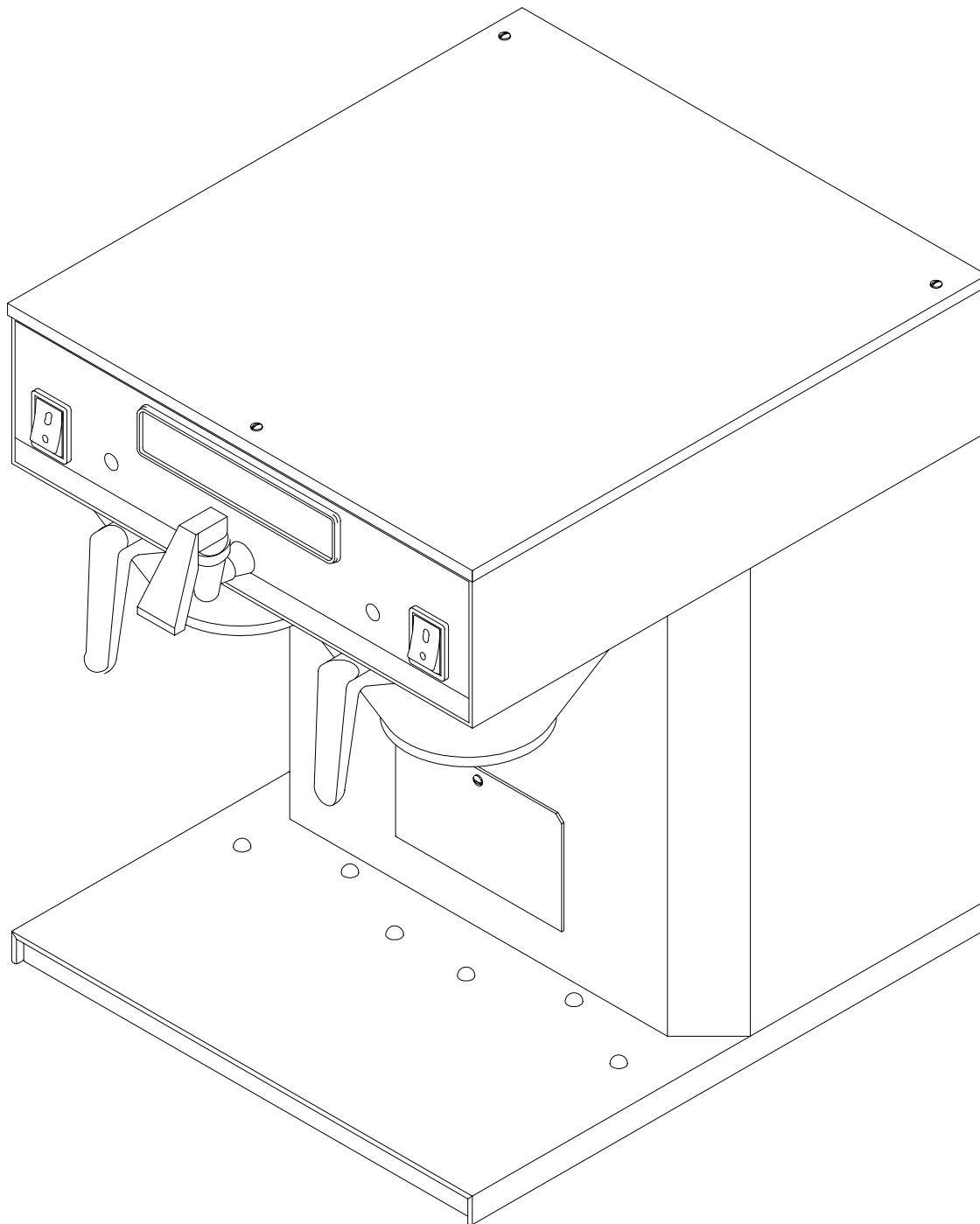


NEWCO ENTERPRISES

INSTALLATION and OPERATION MANUAL for OCS-16A BREWERS



BREWER SPECIFICATIONS

<u>Model</u>	<u>Width</u>	<u>Length</u>	<u>Height</u>	<u>US</u> <u>120V Amps</u>	<u>CANADA</u> <u>120V Amps</u>
OCS-16A	14"	15-1/2"	17-1/2"	14.6	11.7

NOTE: Automatic models without faucet is also available.

PLUMBER'S INSTALLATION INSTRUCTIONS

CAUTION: Leave brewer unplugged until plumbing is completed.

- 1) Flush water line before installing brewer. Brewer should be connected to COLD WATER LINE for best operation.
- 2) Water pressure should be at least 20 lbs. For less than a 25 ft run, use 1/4" copper tubing and connect to 1/2" or larger water line. For longer runs, use 3/8" copper tubing & connect to 1/2" or larger water line and provide an adapter fitting for connection to the brewer.
- 3) If installed with saddle valve, the valve should have a minimum of 1/8" porthole for up to 25 ft run, and 5/16" porthole for over 25-ft runs.
- 4) Connect incoming water line to the flow control device on the back of the brewer. Manufacturer recommends connecting to copper tubing. Turn on water supply and check for leaks.

INITIAL SETUP INSTRUCTIONS

WARNING: - Read and follow instructions before plugging or wiring in machine to electrical circuit. Warranty will be void if machine is connected to any voltage other than that specified on the nameplate.

- 1) Brewer should be connected to water supply as outlined in PLUMBERS INSTALLATION INSTRUCTIONS above and water supply turned on. Plug or wire brewer to the appropriate voltage circuit as indicated on the serial tag. **Do not** depress the brew start switch. The tank will fill automatically. The tank lid has a multipurpose "water level probe" in it. The probe signals the control board when the water in the tank has reached the appropriate level. This probe also acts as a heater safety probe telling the control board when the tank has filled so the board will supply power to the tank element. The probe also signals the control board to cut power to the element should the water level fall below it for a period of more than a minute. Power is restored when the water level again reaches the probe. If the "water level probe" gets limed-up or malfunctions, a secondary probe "lime probe" will take over and signal service by flashing the heating light without disabling the brewer.
- 2) Place a suitable decanter in place below the brew basket to catch water during the volume check and calibration procedure. Depress the start/stop switch. If the tank is up to the preset temperature, temperature adjustment dial is in the off position or if the autoarm feature has been disabled the brew cycle will begin. Otherwise the brewer will go into the autoarm mode and the heating light and corresponding switch light will begin to flash indicating that the unit is in the brew mode but is not up to temperature. When the tank reaches the preset temperature the brew cycle will begin. Note: To accelerate the set up time the "Tank Temp" Adjustment dial may be rotated to the off position momentarily until the brew cycle begins and then turned back. The autoarm feature may also be bypassed by depressing and holding the start/stop switch in for approximately 5 seconds until the brew cycle starts. The tank lid must be in place for proper unit operation. The brew cycle may be canceled by depressing the brew start/stop switch.
- 3) After the brew cycle has finished check volume of water in the container. Adjust the "Brew Time" with the control board located behind the front access plate. Turn the dial Clockwise to increase the volume of water and counterclockwise to decrease it. The dial labeled "Visa" on the timer may be set for an additional amount of time to flash the brew light and corresponding switch light. This will allow time for the coffee to finish draining from the brew basket after the fill cycle has completed. See Fig on page 5 for control board setting information.
- 4) Allow approximately 10 minutes for the water in the tank to heat to brewing temperature. The heating light will go out when the unit is up to temperature. Run one brew cycle to check for the proper temperature setting with an accurate thermometer. Take the temperature of this water at a point below the brew basket opening, at the start of the brew cycle and when the decanter is half full. Recommended temperature of the water is approximately 195 F. (Note: Brew cycle may be canceled by depressing the brew start/stop switch). The brewer features an electronic temperature control circuit and the temperature may be adjusted with the control board located behind the front access plate. See Fig on page 5 for control board setting information.
- 5) In higher altitude locations (5000 feet above sea level) the tank temperature may have to be adjusted lower to prevent boiling. Turning adjustment knob in a clockwise direction will increase water temperature. This unit features an electronic temperature control. Adjustment is located on the control board behind the front access plate.
- 6) **CAUTION:** The water faucet will dispense hot water when the handle is pulled.

COFFEE PREPARATION PROCEDURES

- 1) Place filter into brew basket.
- 2) Put the appropriate amount of ground coffee into the filter for the volume of coffee being brewed.
- 3) Slide the brew basket into holder.
- 4) Remove the dispenser lid unless it is a brew through design. Place the dispenser directly under the brew basket.
- 5) Press brew start/stop switch. Note: a brew cycle may be initiated even if the heating light is on. If the autoarm feature is enabled the heating light(s) and corresponding switch light will begin to flash indicating that the brewer is heating and will begin to brew immediately after the heating cycle is complete. To bypass the autoarm function depress and hold the start/stop switch for approximately 5 seconds to initiate brew cycle. Do not remove dispenser. Brew cycle may be canceled by depressing the brew start/stop switch. The heating and switch light should no longer be flashing.
- 6) Hot water will be delivered through the sprayhead. This distributes the hot water evenly over the coffee bed within the brew basket. The coffee brew will drain from the brew basket into the dispenser below.
- 7) The switch light should continue to flash until all the liquid has finished flowing from the brew basket. Do not remove dispenser until the brewing process has stopped and all liquid has stopped flowing from the brewbasket.
- 8) The resultant coffee brew should be crystal clear and have the desired properties attainable through excellent extraction.
- 9) To empty brew basket simply remove from brew rails and dump filter into wastebasket. The brewing process, as described above, can now be started again.

DUAL BREW SYSTEM DESIGN FEATURES

Individual start/stop brew switches control right and left side of brewer. A single control board controls water temperature, brew volume, Visa-Brew delay, Auto-Arm, and inlet water valve. Designed to brew two 8-cup servers simultaneously or one at a time. The dual brewer also incorporates a hot water faucet.

FEATURE SUMMARY TABLE

Feature	Settings Available	Controls/Indicates
Brew Time	120-240 seconds (2-4 minutes) Left and right side independently adjustable.	Volume of water delivered for coffee.
Visi-Brew	30-240 seconds (.5-4 minutes).	Duration of flashing brewing light after brew time elapses to indicate coffee still draining from basket.
Temperature	170-208° F.	Water temperature in tank.
Autoarm	On or Off; (Wiring determines value).	Flashes heating light when heating and brew switch is depressed.
Power Modes	Power Save; Fixed at 2 hours. Normal. Power Down; Fixed at 2 hours.	Tank temp. reduced to 170° F after 2 hours idle. Maintains tank at set temperature. Tank heater turns off after 2 hours idle.

Timer Controls:

Two independent brew time controls for adjusting water volume for the left and right brewing centers. Brew time adjustment knob may be turned down during the brew cycle until brewing stops. This is an aid during initial setup

Auto-Arm:

The Auto-Arm feature is designed to ensure that the water temperature is at the pre-set optimum temperature setting before brewing begins. When a brew cycle is initiated, before the brew cycle begins Auto-Arm looks to see if the tank heater is on. If the heater is on Auto-Arm will store the brew cycle signal and begin flashing the heating light(s) and the corresponding brew switch light on the front control panel. Once the heater turns off, the brew cycle will automatically begin. This feature eliminates the need for the customer to check the tank temperature before brewing. When brewing occurs on both sides, if a brew cycle is initiated while the other side is brewing, Auto-Arm will be disabled, eliminating any brewing delays.

Visa-Brew:

This feature uses the light on the left and right switches to alert the user that a brew cycle has either been initiated or is in process and to use caution. This feature also has a calibration adjustment on the control board, which allows for the calibration to continue the light flashing until the coffee completely drains from the brew basket. Note: A new brew cycle will not be accepted until the switch light stops flashing. This design eliminates double brewing.

Power Modes:

Allows you to automatically save energy when the brewer is not in use for a specified length of time. By using the "Tank Heater Mode" switch located on the back of the brewer you may select one of the three operation modes.

Mode I is the "Power Save" mode. In this mode the tank heater will be set back to 170°F after 2 hours of being idle. The right switch light will flash once every minute to indicate that unit is in "Power Save" mode.

Mode II is the "Normal" mode. In this mode the tank temperature will be maintained at the temperature set on the control board at all times.

Mode III is the "Power Down" mode. In this mode the tank heater element will be disabled after 2 hours of being idle. The left switch light will flash once every minute to indicate unit is in power down mode.

By depressing the brew start switch the timer is reinitialized and the time frame starts over. In modes I and III the "Auto Arm" feature will bring the tank up to temperature before brewing when the brew start switch is depressed.

Temperature Calibration & Tank System:

The system uses a solid state temperature control to maintain the water temperature in the tank with accuracy. Included in the system is a water detection probe that prevents premature heater turn on when there is no water present in the tank. Until water makes contact with the probe, the tank heater will not energize. Additionally, a back-up manual reset limit control has been incorporated into the system, as well as heater run time protection. These features are designed to protect the equipment in the event of an operator or component failure. For ease of service, access to the tank is provided from the top of the unit.

ERROR CODES

Service Alert System:

The equipment is designed with maximum run time for the heating and water fill system. Listed below is a chart for interpreting an error code when the brewer will not operate.

Error Code:	Problem Area:	Cause:	Check:
Heating Lamp flashes continually	Water Fill	System detects that water valve has run for 6 min. w/o making contact with probe.	Water supply to brewer, water filters & water probe to see if limed up.
Left & Right switch lights flash	Tank Heater	Tank heating system has run for 10-min. w/o a 3-degree change in temperature.	Tank Heater, Main Thermostat & Limit Thermostat
Right switch light flashes	Temperature Probe	Thermistor is open	Replace Thermistor
Left switch light flashes	Temperature Probe	Thermistor shorted	Replace Thermistor

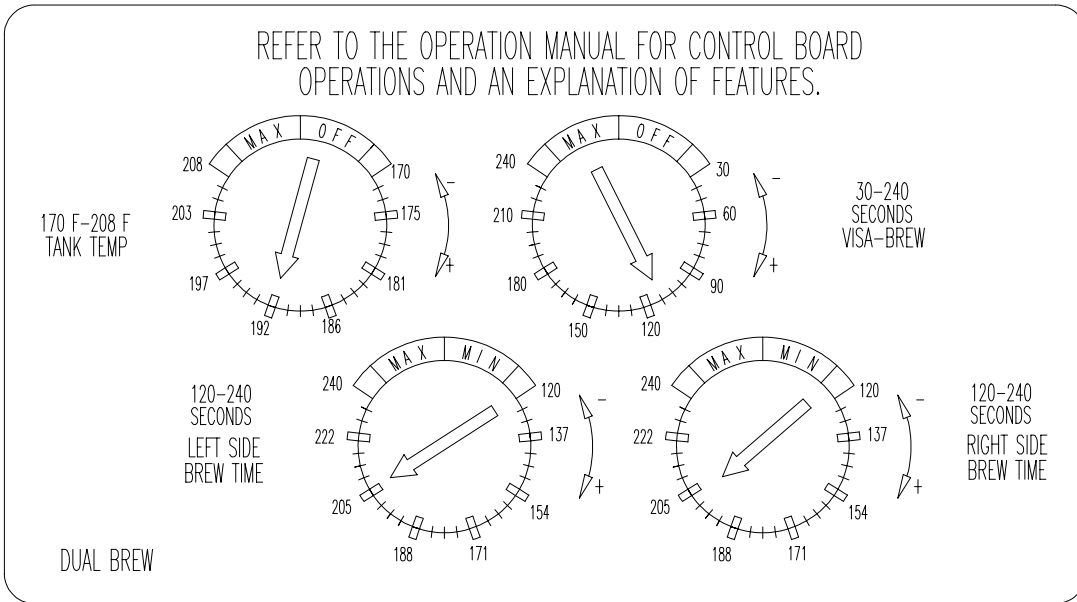
IN CASES WHERE THERE IS A HEATER OR FILL PROBE ERROR, THE BREWER CAN BE RESET BY HOLDING DOWN EITHER BREW START/STOP SWITCH FOR 10 SECONDS. ERROR WILL CLEAR

WARRANTY

Newco coffee brewers are warranted against defects in workmanship or materials, under normal use, for 90 days from the date of purchase. Brewer parts are warranted against defect for 12 months from date of purchase. Liability in all events is limited to the purchase price paid and liability under the aforesaid warranty is limited to replacing or repairing any part or parts which are defective in material or workmanship, and returned to our factory, shipping cost prepaid. No warranty expressed or implied, other than the aforesaid is made or authorized by Newco Enterprises, Inc. Prompt disposition will be made if item proves to be defective, within warranty. Before returning any item, write or call Newco, or the dealer, from whom the product was purchased, giving model number, serial number, and date of purchase, and describe the nature of the defect. If damage was incurred during transit to you, file claim with the carrier

CONTROL BOARD SETTING VALUES

REFER TO THE OPERATION MANUAL FOR CONTROL BOARD OPERATIONS AND AN EXPLANATION OF FEATURES.

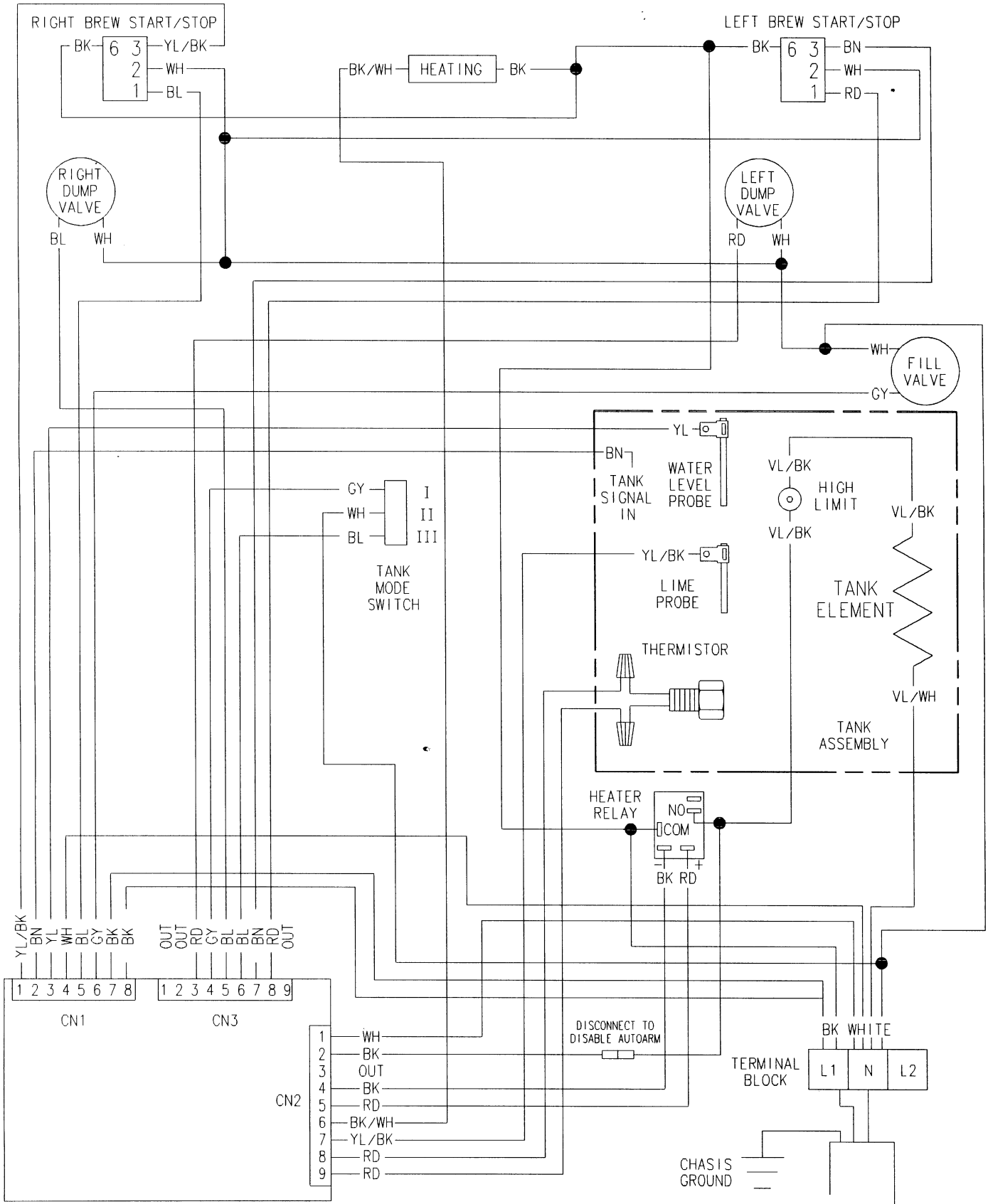


NTS

REPLACEMENT PARTS LIST

Part No	Description	Part No	Description
	Plumbing Components		Electrical Components
110305	PDS Valve Assembly, Low Flow	110532	Control Board and Bracket Ass'y
102383	Solenoid Valve Ass'y, Inlet	110384	Control Board Only
110449	Solenoid Valve, Outlet Dump	105057	Heater Relay
110885	Faucet Assembly	100163	Terminal Block
110978	Tube Assembly, Sprayhead	100022	Power Cord, 15 Amp, 120 V, 14/3
100024	Sprayhead, 5 Hole	700413	Switch, DPST, Tank Mode Selection
100025	Gasket, Sprayhead	102562	Switch, SPST, Lighted Momentary
152213	Tubing, Silicone, 3/8 ID X 5/8 OD	100071	Tank Element, 1750W/120V
110421	Tube, Teflon, 1/4 OD X 15" LG	102580	Tank Element, 1400W/120V
	Tank Assemblies and Components	102581	Tank Element, 1100W/120V
110419	Tank Ass'y, 1750W/120V	100633	Thermostat, Manual Reset
110422	Tank Lid Ass'y with Probes	152184	Thermister Ass'y
110099	Tank Lid, Molded Plastic	110448	Light Ass'y, Heating
110893	Probe, Level		Hardware and Miscellaneous
110896	Probe, Lime	100078	Bumper Foot
108003	O-Ring, Probe	110581	Support, Circuit Board
152207	Plug, Tank Lid, Silicone	110894	Brew Basket, Plastic Color Changing
152397	Washer, Thermister, Teflon	110889	Carafe, Black Thermal
101938	Grommet, Silicone, .359 ID x .875 OD	110409	Brewrail, RH
		110411	Brewrail, LH

WIRING CONNECTION DIAGRAM



Newco Enterprises, Inc. * 1735 South River Rd. * P.O. Box 852 * St. Charles, MO 63303