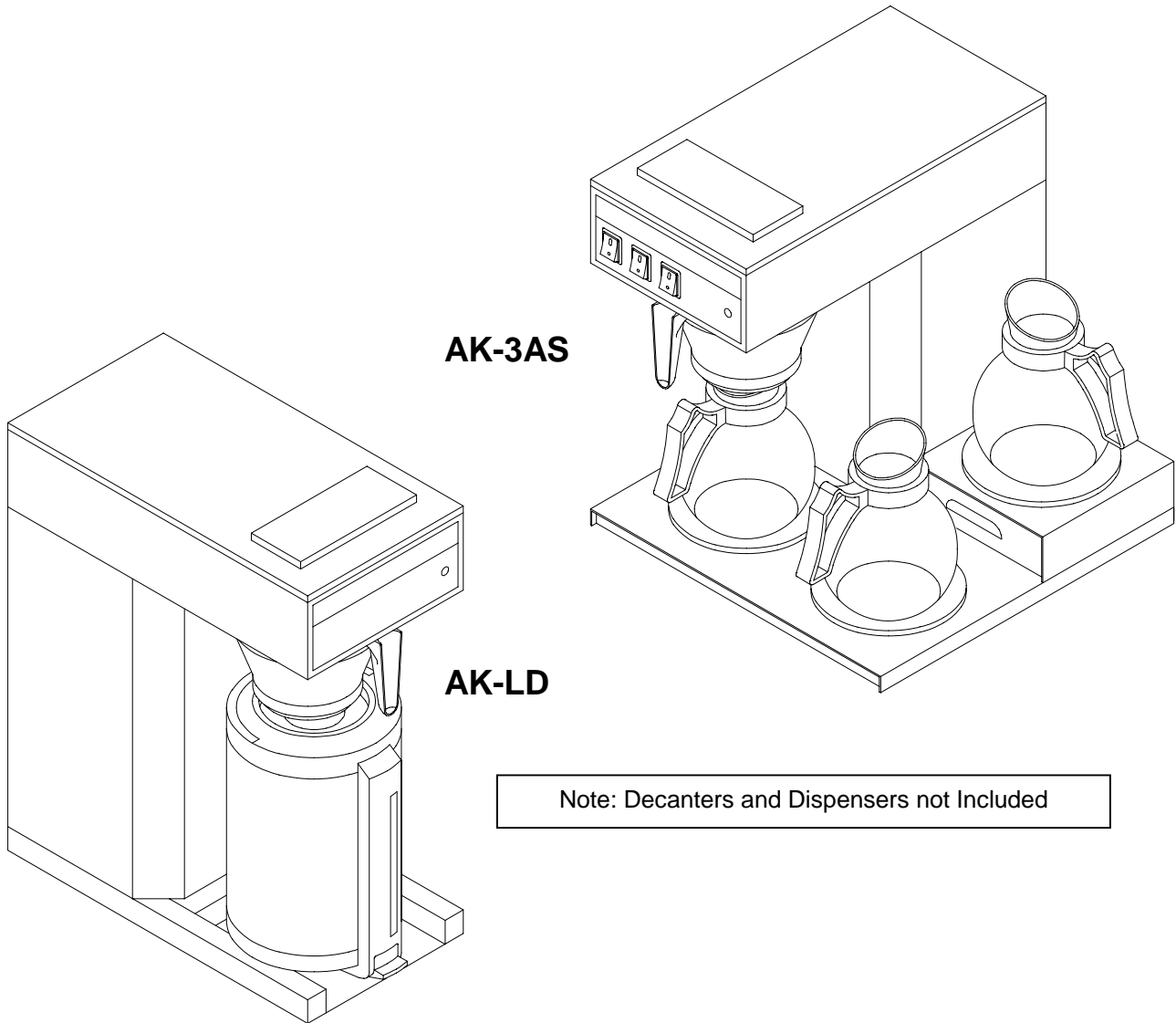


# NEWCO ENTERPRISES

## INSTALLATION and OPERATION MANUAL

### for AK SERIES BREWERS



Note: Decanters and Dispensers not Included

### BREWER SPECIFICATIONS

Model	No of Warmers	Width	Length	Height*	US 120V Amps**	Canada 120V Amps**
AK-1	1	8-1/2"	16-3/8"	16-15/16	12.5	11.2
AK-2	2	8-1/2"	16-3/8"	18-9/16	13.3	10.8
AK-3	3	15-1/2"	16-3/8"	16-15/16	14.2	11.7
AK-LD	N/A	8-1/2"	16-3/8"	21-3/16	14.6	11.7
AK-TC	N/A	8-1/2"	16-3/8"	17-5/8	14.6	11.7
AK-AP	N/A	8-1/2"	16-3/8"	22-15/16	14.6	11.7
AK-D	N/A	8-1/2"	17-3/8"	27-3/8	14.6	11.7

\* Height with ABS base shown for Airpot/Dispenser models  
\*\* Other Wattages/Voltages available as special order

## INSTALLATION / SETUP INSTRUCTIONS

**WARNING:** - Read and follow installation / setup instructions before plugging or wiring in machine to electrical circuit. Warranty will be void if machine is connected to any voltage other than that specified on the name plate.

### FILL BREWER TANK WITH WATER BEFORE CONNECTING TO POWER SUPPLY !

- 1) Place the decanter under brew basket, raise top evaporation cover and pour three decanters of water through the top pour-in screen. Water should come through the brew basket as the third decanter of water drains out of the pour in basin.
- 2) Brewer is shipped with thermostat turned on. Plug or wire in machine to appropriate voltage circuit as indicated on serial tag.
- 3) Allow 10 to 15 minutes for water in tank to heat to brewing temperature. Additional water may drip from brew basket on initial expansion of water in the tank. This will not occur thereafter.
- 4) After water has reached brewing temperature (thermostat will click off, heating noise will stop and green ready light will be on) pour 1 decanter (60 oz.) of water through pour-in screen. More than 1 decanter of water will flow into decanter below brew basket due to water expansion in the tank. Machine is now ready to use.
- 5) Pour 1 decanter of water through pour-in screen to check for the proper temperature setting with an accurate thermometer. Take the temperature of this water at a point below the brew basket opening, at the start of the brew cycle and when the decanter is half full. Recommended temperature of the water is approximately 195 F.
- 6) In higher altitude locations (5000 feet above sea level) the thermostat may have to be adjusted lower to prevent boiling.

## COFFEE PREPARATION PROCEDURES

- 1) Place filter into brew basket.
- 2) Put the proper amount of coffee into the filter.
- 3) Slide the brew basket into holder.
- 4) Place the appropriate empty decanter into position below the brew basket. For airpots first open lid and remove pump stem unless it is of the brew thru design. For other dispensers without brew thru lids, remove the lid. Turn lower warmer switch to the ON position for warmer units.
- 5) Raise the top evaporation cover and pour one decanter of cold water through the pour in screen into the basin. Do not overfill unit by pouring in more than one decanter of water at a time.
- 6) Hot water will be delivered through the sprayhead. This distributes the hot water evenly over the coffee bed within the brew basket. The coffee brew will drain from the brew basket into the decanter below.
- 7) TURN OFF WARMERS WHEN NOT IN USE. Red light in switch indicates when warmer is on.
- 8) To clean brew basket simply remove from brew rails and dump filter into waste basket. The brewing process, as described above, can now be started again.

## AUTOMATIC WARMER SAFETY SHUT OFF - OPTIONAL FEATURE

Warmer models may be equipped with an electronic control system which automatically monitors the length of time the warmers are on, and shuts them off after they have been turned on for a preset length of time. The model number on the serial tag of brewers equipped with this feature is appended by "AS". For example an AK-3AS is a 3 warmer AK brewer with Automatic Shutoff.

The warmer shutoff control is initially set at the factory for two hours but the duration of on time for the warmers may be adjusted anywhere between thirty minutes and four hours, depending on the needs of your customer. To adjust the time, simply remove the access panel located on the right side of the brewer. Use a screwdriver to turn the knob. Turning the knob clockwise will increase the on time and counter clockwise will decrease the length of time the warmers will stay on.

The warmer control circuit will operate all warmers on for the same amount of time. The on time will automatically be reset to the programmed time when any warmer is turned on. For example, if the customer has turned on the lower warmer and then 30 minutes later turns on the second warmer, the on time for both warmers will automatically be reset for the full programmed time of two hours, assuming the factory set time of two hours is used. This feature eliminates individual warmers shutting off separately. A warmer may be turned off manually by depressing the appropriate control switch. The red pilot light indicates that the warmer is on.

## LIMING

To prevent liming problems in tank fittings remove sprayhead and insert deliming spring all the way into the tank. When inserted into tank properly, no more than ten inches of the spring should be visible at the sprayhead fitting. Saw back and forth five or six times. This will keep fittings open and clear of lime. In hard water areas this should be done everyday. This process takes approximately one minute. In all areas the sprayhead should be cleaned at least once a week. Where bad liming has already occurred, a new complete tank assembly may be installed. The tank may be changed in approximately 5-10 minutes time.

## WARRANTY

Newco coffee brewers are warranted against defects in workmanship or materials, under normal use, for 90 days from the date of purchase. Brewer parts are warranted against defect for 12 months from date of purchase.

Liability in all events is limited to the purchase price paid and liability under the aforesaid warranty is limited to replacing or repairing any part or parts which are defective in material or workmanship, and returned to our factory, shipping cost prepaid. No warranty expressed or implied, other than the aforesaid is made or authorized by Newco Enterprises, Inc.

Prompt disposition will be made if item proves to be defective, within warranty. Before returning any item, write or call Newco, or the dealer from whom the product was purchased, giving model number, serial number, and date of purchase, and describe the nature of the defect. If damage was incurred during transit to you, file claim with the carrier.

## AK POUR OVER BREWER - REPLACEMENT PARTS LIST

### Electrical Components

101419	Thermostat Assembly, Regulating
100043	Knob, Thermostat, Regulating
100174	Thermostat, Hi-Limit
100143	Bracket, Hi-Limit
202025	Element, Tank, 1750W 120V
701170	Element, Tank, 1400W 120V
202057	Element, Tank, 1100W 120V
100187	Element, Warmer, 100W 120V
101840	Board Assy, Warmer Shutoff
101390	Board Only, Warmer Shutoff
102844	Support, Board, Snap In
110581	Support, Board, Screw mounted
100500	Switch, Rocker ON/OFF, Red
100085	Switch, Rocker ON/OFF, Lighted, Red
102562	Switch, Momentary, Auto Shutoff Units
781432	Switch, Rocker, Red Light
100022	Cord, 120 V Power
101035	Grommet, Strain Relief, 120 V Cord
110130	Light Assy, Green, AK
101698	Lens, Ready Light, Green

### Labels/Decals

100254	Decal, "Hot Surfaces"
101717	Label, Switch Plate, AK-2AS
101718	Label, Switch Plate, AK-3AS
101719	Label, Faceplate, AK Dispenser Models
110057	Label, Switch Plate, AK-2
110058	Label, Switch Plate, AK-3
110120	Label, Hot Liquids

### Tank and Plumbing Components

101842	Tank Assy, 1400 W
101857	Tank Assy, 1750 W
705199	Lid Assy, 1400 W Tank
705399	Lid Assy, 1750 W Tank
704119	Tank, Only
704221	Gasket, Tank, Main
700016	Gasket, 1.062" OD X .578" ID, Sil
700325	Pan, Receiving
781555	Gasket, Delivery Tube
701200	Nut, Slotted Hex, 3/4-16
700015	Washer, 1" OD X 3/4" ID, S/S

### Hardware and Miscellaneous

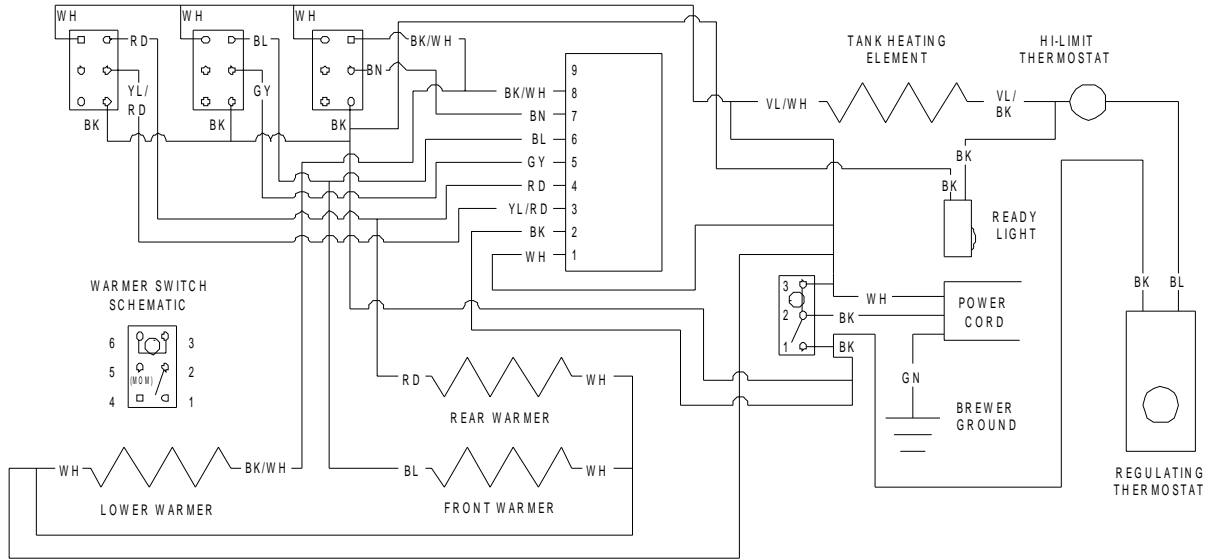
100008	Plate Only, Warmer, Black
100010	Plate Assy, Warming, Black
100160	Screw, 4-40 X 5/8, SPHMS S/S
100078	Foot, Bumper, With Screw
700118	Basket, Brew, 8 Sided Black
102799	Rail, Brew, R.H.
102800	Rail, Brew, L.H.
108014	Plate, Board Access
110624	Pour-In, Cover, Plastic
110625	Pour-In, Grid and Cover
101726	Tube Assy, Sprayhead
100024	Sprayhead, S/S 5 Hole
100025	Gasket, Sprayhead
201173	Nut, Sprayhead, 7/16-20

**CAUTION: DISCONNECT BREWER CORD FROM ELECTRICAL OUTLET BEFORE  
REMOVAL OF ANY PANEL OR REPLACEMENT OF ANY COMPONENT!**

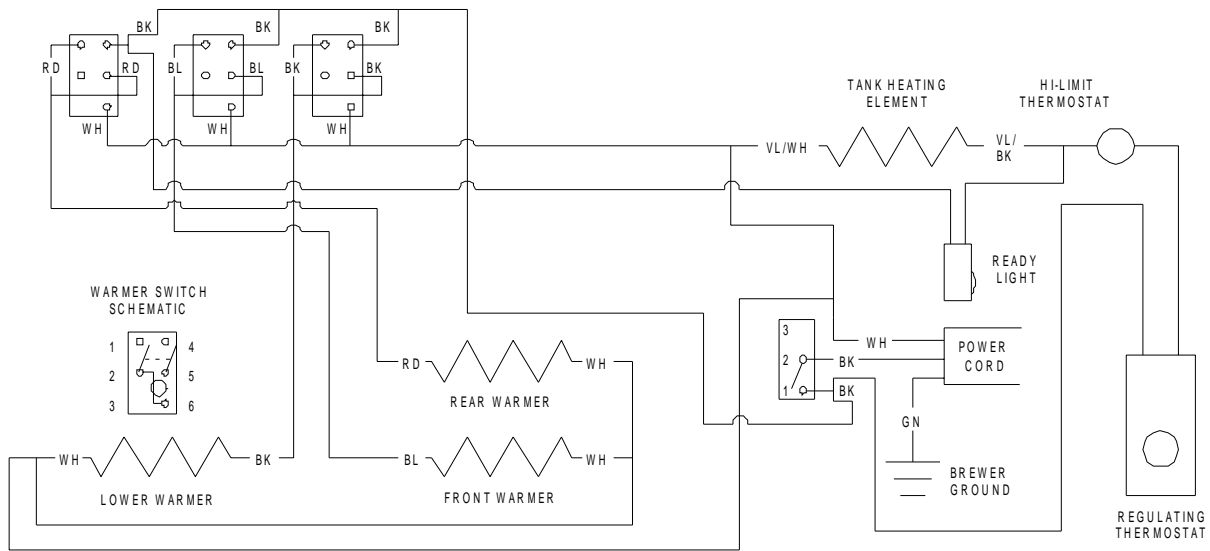
**NOTE: IN CANADA REPAIRS ARE TO BE DONE BY CERTIFIED ELECTRICIAN OR BREWER MUST BE REINSPECTED TO MAINTAIN APPLICABLE CERTIFICATION**

# WIRING DIAGRAMS

## AK WARMER MODELS - WITH AUTO WARMER SHUTOFF



## AK WARMER MODELS - WITHOUT AUTO WARMER SHUTOFF



## AK THERMAL (AIRPOT/DISPENSER) MODELS

