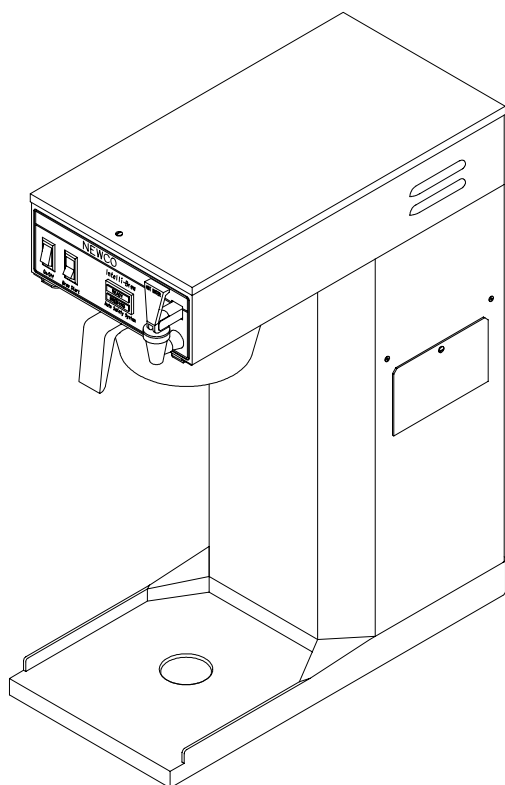


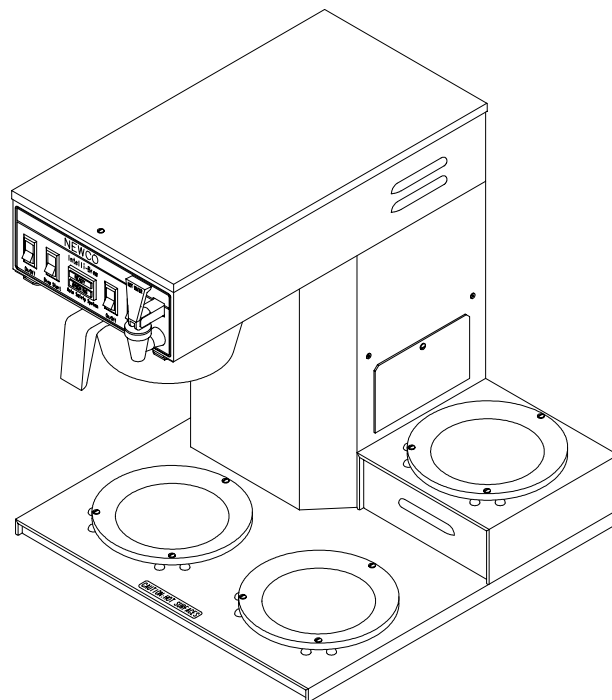
NEWCO ACE SERIES

ACE & ACE INTELLI-BREW MODELS
REPLACEMENT PARTS CATALOGUE



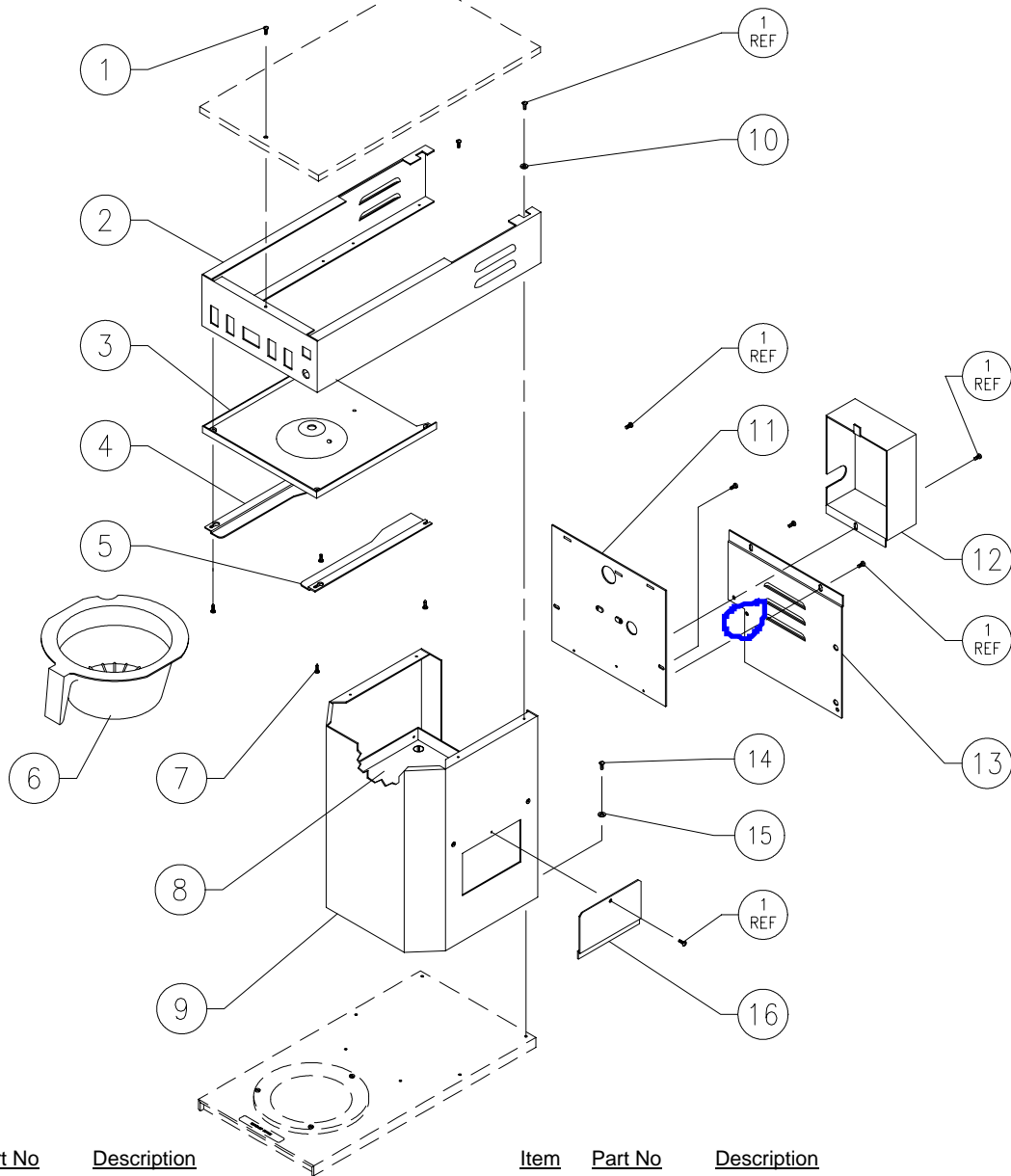
- ACE-AP
- ACE-D
- ACE-LD
- ACE-LP
- ACE-S
- ACE-TC
- IA-AP
- IA-TD
- IA-LD
- IA-LP
- IA-S
- IA-TC

SEE REAR PANEL FOR
MODEL ILLUSTRATIONS



NEWCO 
ENTERPRISES, INC.

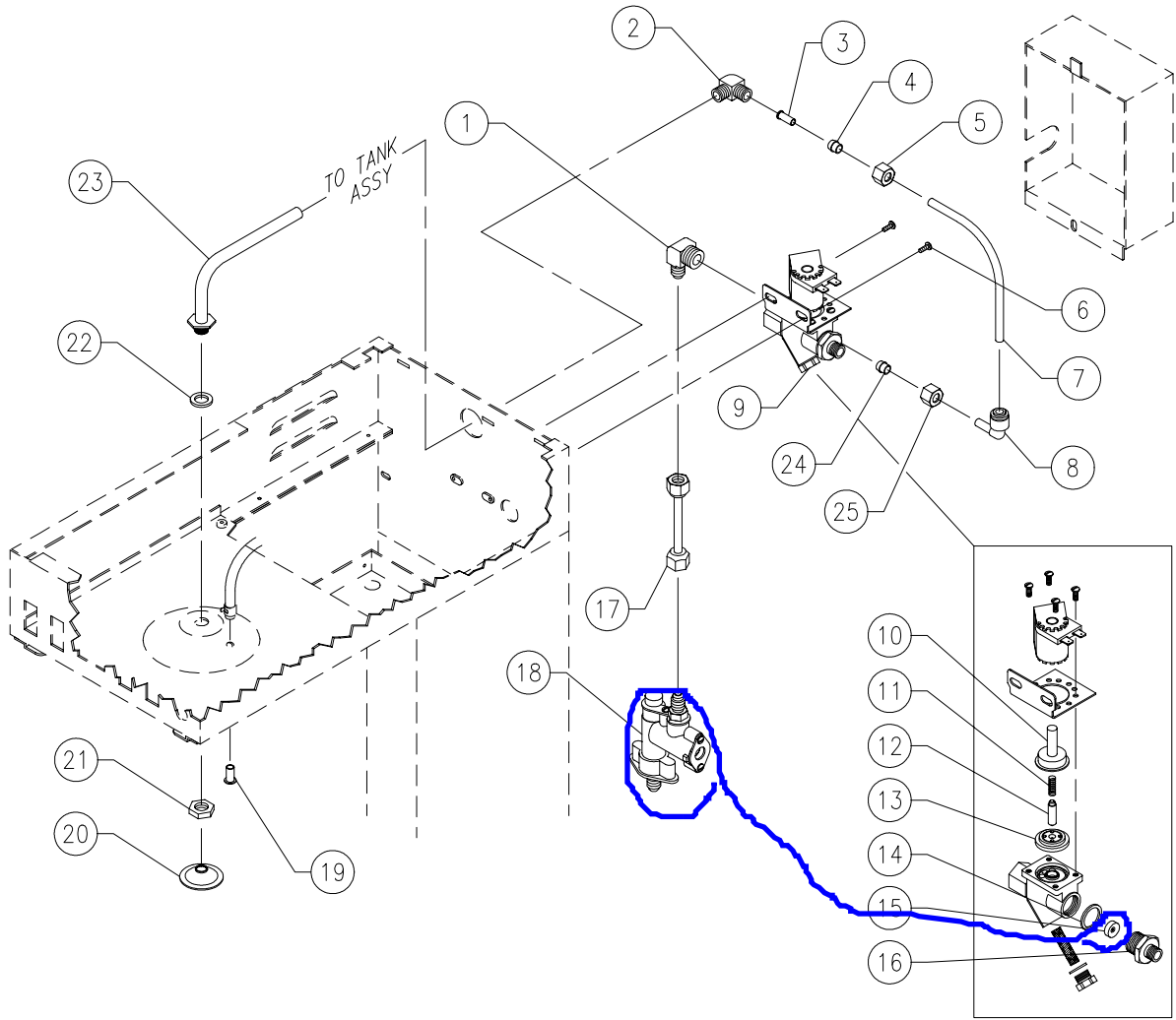
BODY ASSEMBLY



Item	Part No	Description	Item	Part No	Description
1	102333	Screw, 6-32 X 3/8"	●	108085	Column, LD
2	108070*	Wrapper, Models LP, S	10	100054	Washer, #8 Lock
●	108075*	Wrapper, Models AP, D, LD, TC	11	102616	Panel, Upper Rear
3	102816	Brew Plate, ACE	12	102618	Cover, Solenoid
●	108087	Brew Plate, Intelli-Brew 120V	13	102617	Panel, Lower Rear, S, LP, TC 120V
●	108088	Brew Plate, Intelli-Brew 240V	●	102619	Panel, Lower Rear, S, LP, TC 240V
4	102800	Brew Rail, LH	●	102602	Panel, Lower Rear, AP 120V
5	102799	Brew Rail, RH	●	102601	Panel, Lower Rear, AP 240V
6	110985	Brew Basket, Assy	●	102597	Panel, Lower Rear, D 120V
7	100065	Screw, 6-32 X 5/16	●	102463	Panel, Lower Rear, D 240V
8	102806	Shelf, ACE Tank	●	102396	Panel, Lower Rear, LD 120V
●	102679	Shelf, ACE W/Autoarm Tank	●	102341	Panel, Lower Rear, LD 240V
●	108086	Shelf, Intelli-Brew Tank	14	511027	Screw, 8-32 X 3/8"
9	108013	Column, LP, S, TC	15	100054	Washer, #8 Lock
●	108080	Column, D	16	108014	Plate, Control Board Access, New Style
●	108032	Column, AP	●	102819	Plate, Control Board Access, Old Style Ace

* Part number shown is for the Stainless Steel version. When ordering add -B to part number for black parts where available.

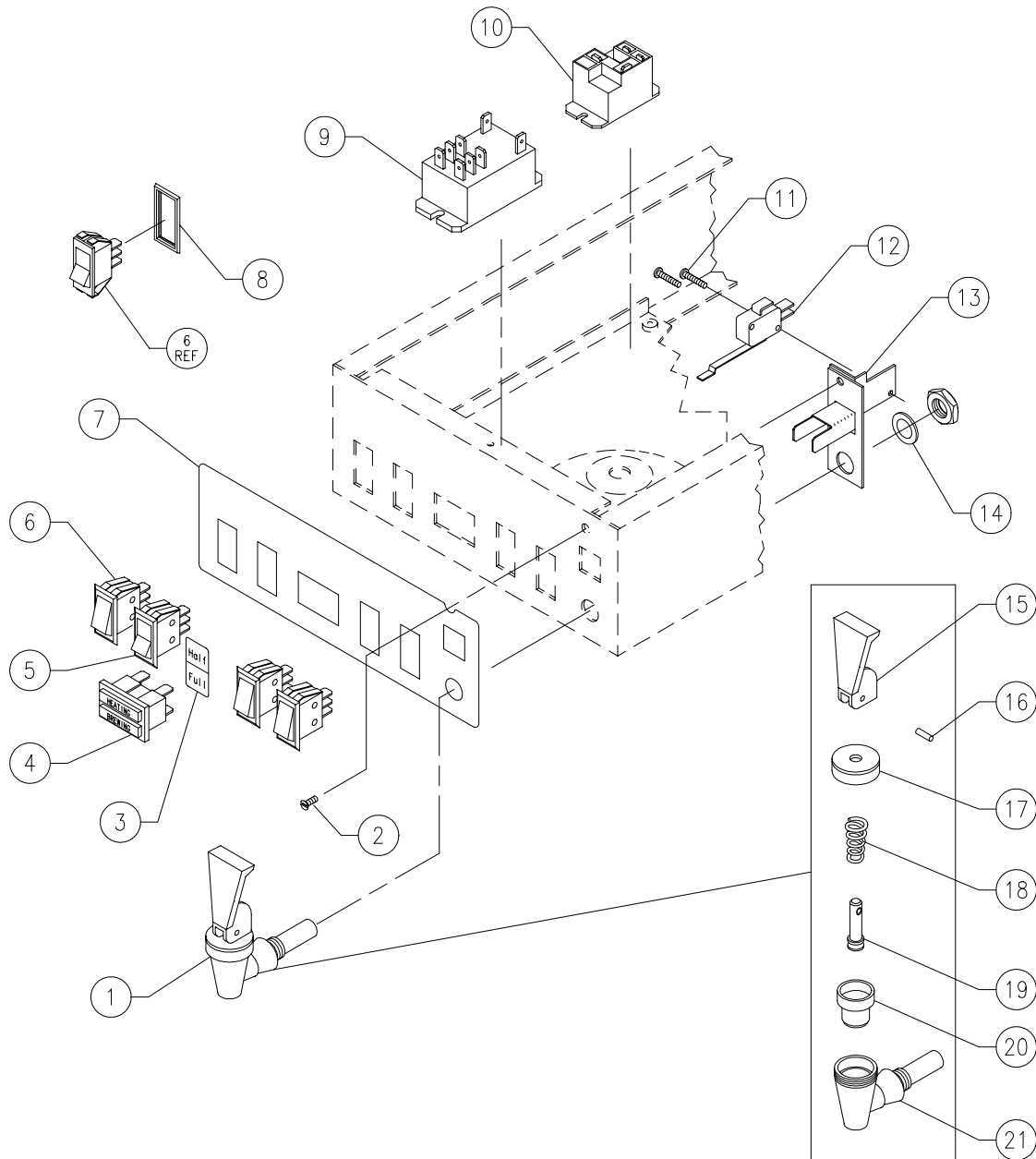
WATER INLET, FLOW CONTROL AND DELIVERY



<u>Item</u>	<u>Part No</u>	<u>Description</u>	<u>Item</u>	<u>Part No</u>	<u>Description</u>
1	100442	Elbow, Male 1/4 FL X 3/8 NPT	12	N/A	Plunger
2	100149	Elbow, Male 1/4 Comp X 1/8 NPT	13	N/A	Diaphragm
3	202044	Insert, 3/16" Tubing, Brass	14	790019	Gasket, Nylon, Flow Control
4	110944	Sleeve, 1/4" Self Align, Brass	15	100290*	Washer, Flow Control, .25 GPM, Red
5	110946	Nut, 1/4 Self Align, Brass	16	100296	Cap, 1/4 Compression Flow Control
6	511027	Screw, 8-32 X 3/8"	17	700904	Tube Assembly
7	100445	Tubing, Teflon 3/16" ID (Order by Length)	18	110620	Valve Assembly, Kit, PDS Flow. (Incl 17)
8	205084	Elbow, Plug-In 1/4 X 1/4	19	201112	Insert, 1/4" Tubing, Brass
9	102820	Valve Assembly, S-45. Incl 1, 9A, 14, 15* & 16	20	100024	Sprayhead, 5 Hole S/S
9A	102780	Valve Only, S-45 Solenoid	21	201173	Nut, 7/16-20 Sprayhead
9B	201158	Repair Kit, S-45 Valve. Incl 10, 11, 12 & 13	22	100025	Gasket, Sprayhead
10	N/A	Valve	23	102783	Tube Assembly, Sprayhead
11	N/A	Spring	24	202047	Sleeve, 1/4" Plastic Tubing, Brass
			25	102328	Nut, 1/4 Compression, Reamed 7.2mm

*Used only in units without PDS option

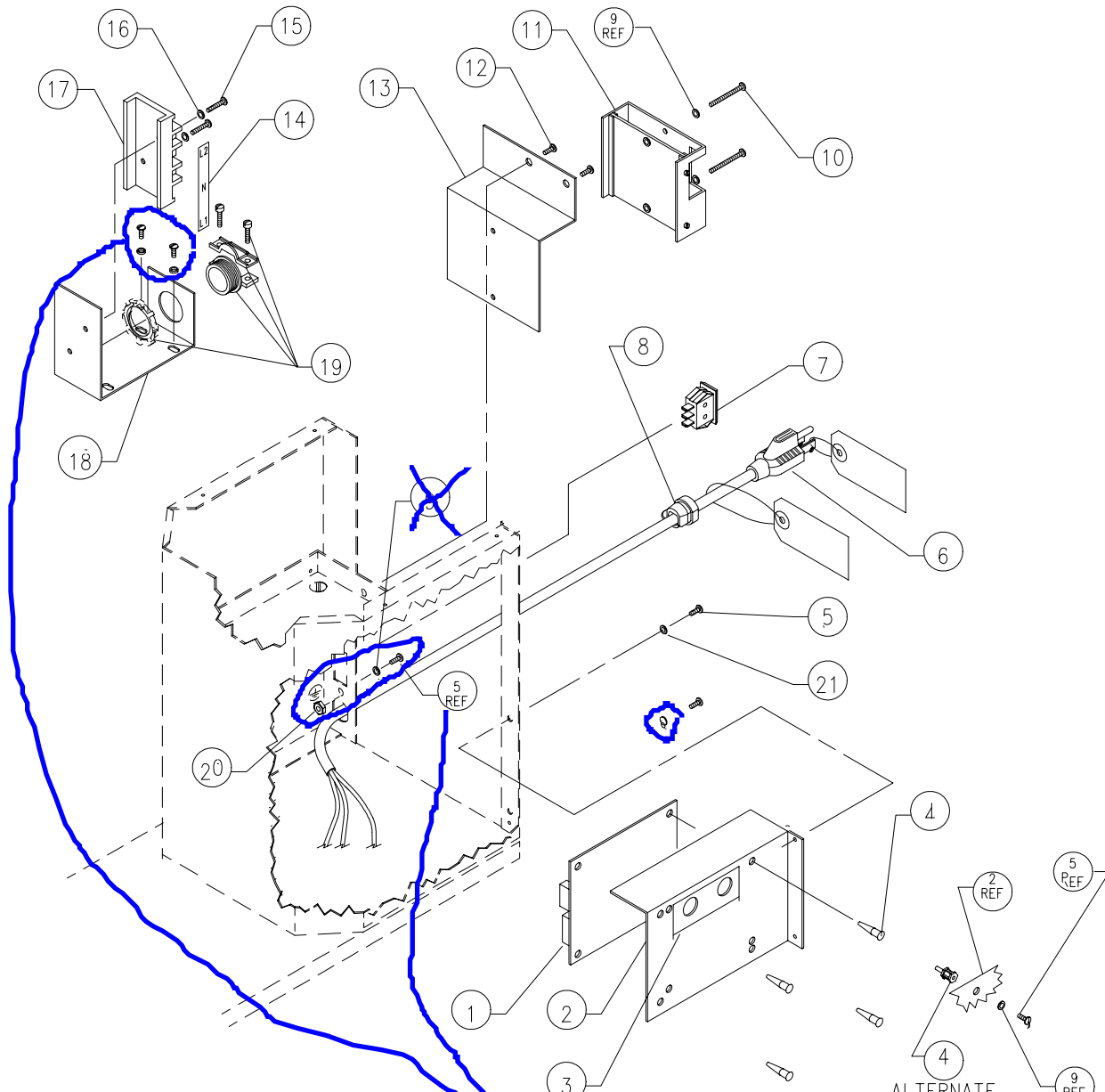
FACEPLATE SWITCHES AND FAUCET ASSEMBLY



FACEPLATE SWITCHES, FAUCET ASSEMBLY AND RELAYS

<u>Item</u>	<u>Part No</u>	<u>Description</u>	<u>Item</u>	<u>Part No</u>	<u>Description</u>
1	102770	Faucet Assembly (Includes Faucet and Nut)	8	104015	Bezel, Oslo Switch Adapter
2	102864	Screw, 6-32 X 1/4" Flathead Undercut	9	108220	Relay, 120V Coil, 240V Intelli-Brew Heater
3	102428	Label, "Half/Full" IA	10	105057	Relay, 12V Coil, 120V Intelli-Brew Heater
4	102775	Light, Ready/Brewing	11	100160	Screw, 4-40 X 5/8"
●	102884	Light, Heating/Brewing	12	102841	Switch, Faucet Micro
●	102471	Light, Ready/Brewing, 240 V	13	102807	Bracket Assembly
5	201985	Switch, SPST, Momentary, Brew Start (Black)	14	101011	Washer, 1/2" Lock
●	108045	Switch, SPDT, Momentary, Dual Volume (Red)	15	102786	Handle, Red
6	100085	Switch, Lighted SPST, Red Rocker	16	100639	Pin
●	104002	Switch, Lighted SPST, Momentary, Amber	17	N/A	Cap
7	108160	Label, ACE Warmer Models	18	100612	Spring
●	108155	Label, ACE Dispenser Models	19	203851	Stem
●	102426	Label, IA Warmer Models	20	102675	Seat Cup
●	102427	Label, IA Dispenser Models	21	N/A	Faucet Body

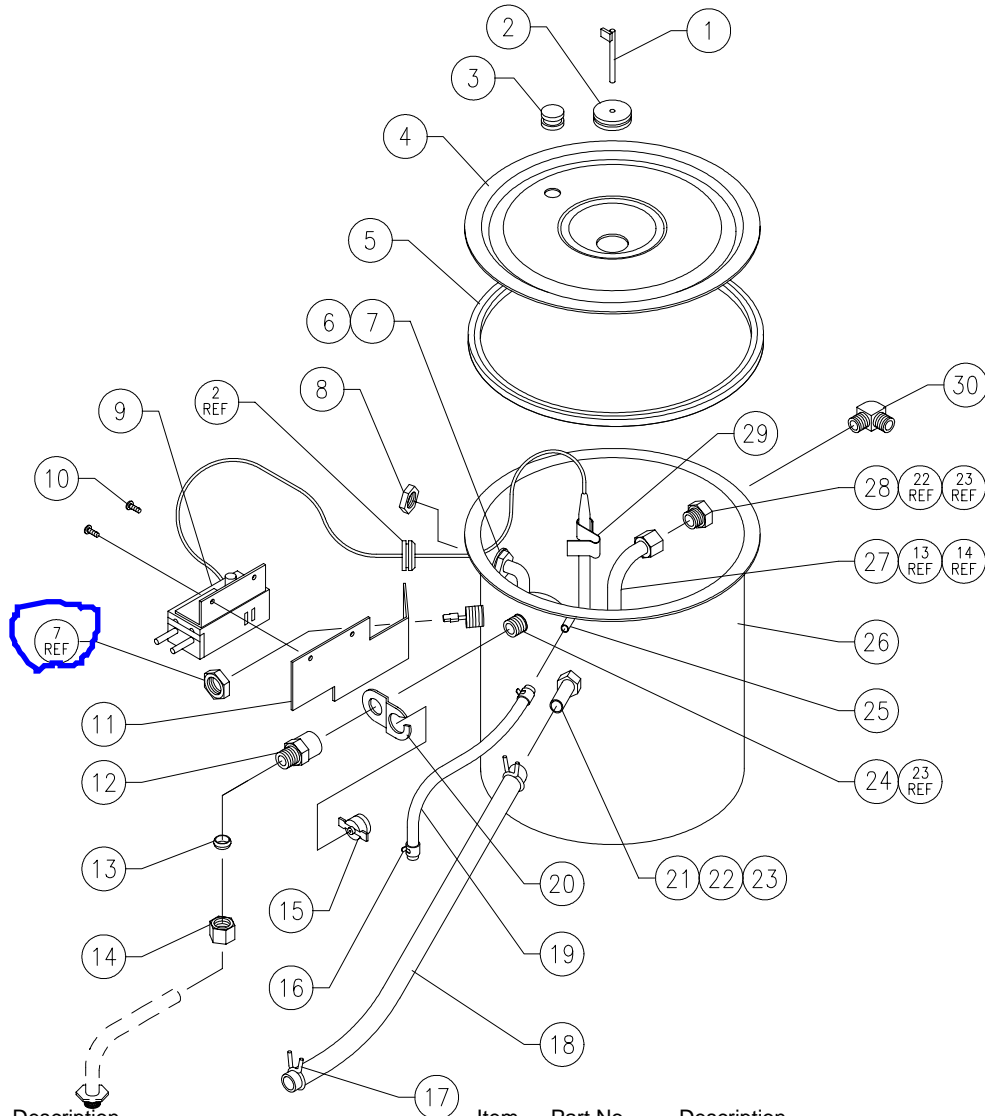
ELECTRICAL CONNECTION AND CONTROL BOARD OPTIONS



Item	Part No	Description
1	102492	Control Board, ACE 4.0 Minute
●	108035	Control Board, IA Warmer Models
●	108040	Control Board, IA Thermal Models
2	102827	Bracket, ACE Control Board Mounting
●	108024	Bracket, IA Control Board Mounting
3	102493	Label, ACE 4.0 Minute Control Board
●	108033	Label, IA Control Board
4	102844	Support, Snap in Control Board
●	110581	Support, Alternate Screw Mounted Type
5	102333	Screw, 6-32 X 3/8"
6	100022	Cord, 15A Power, 120V Brewers
●	108090	IA, Harness & Cord Assy
7	100500	Switch, SPST, ON/OFF (Tank) ACE
●	700413	Switch, DPST, IA Tank Mode Selection
8	101035	Grommet, Strain Relief, 15A Cord

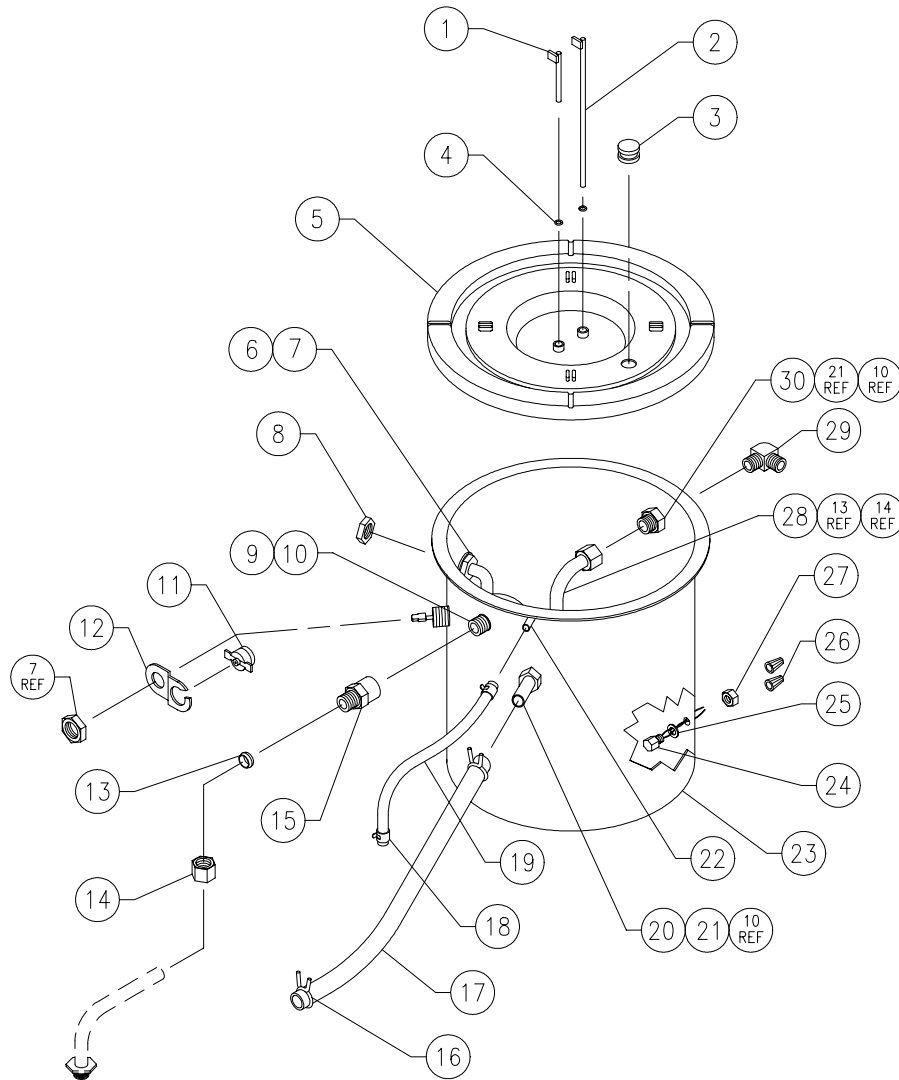
Item	Part No	Description
9	100212	Washer, #6
10	705365	Screw, 6-32 X 1-3/8
11	102148	Board, Autoarm Control
12	511027	Screw, 8-32 X 3/8
13	102682	Bracket, Autoarm Control Board
Components Below (14 thru 19) Are Used In 240V Brewers Only		
14	202863	Label, "L1 N L2"
15	100060	Screw, 8-32 X 5/8
16	100054	Washer, #8
17	511053	Terminal Block, ACE and IA 240V
18	102739	Bracket, Terminal Block, 240V LD
18	102751	Bracket, Terminal Block, 240V AP, LP, S, D
19	511054	Connector, Cable, Strain Relief 240V
20	100061	NUT, 8-32
21	110965	WASher, #6, INT. TOOTH

ACE TANK ASSEMBLY



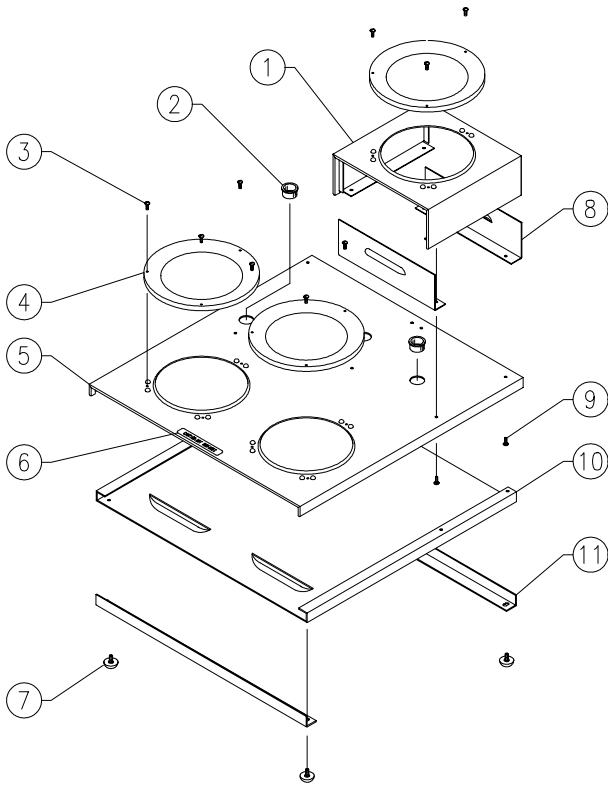
Item	Part No	Description	Item	Part No	Description
	102798	Tank Assembly, 1400W 120V		102746	Tank Assembly, 3500W 240V
	102859	Tank Assembly, 1750W 120V		101988	Lid Assembly, ACE Tank. Incl 1, 2, 3, & 4
		The above tank assemblies include all item numbers shown except for items 1, 2, 3 and 4			
1	102801	Probe, Ace Water Level	15	100174	Thermostat, Auto Reset Hi-Limit, 240 V
2	102836	Grommet, Silicone	●	100633	Thermostat, Manual Reset Hi-Limit
3	152207	Plug, Silicone Tank	16	100440	Clamp, 3/8" Tube
4	781507	Lid, Punched Tank	17	152461	Clamp, S/S #10
5	781181	Gasket, 23" Silicone Tank	18	102874	Tube, 3/8" ID X 5/8" OD X 9" Silicone
6	102581	Element, 1100W 120V Tank (Incl 6, 7 & 8)	19	101135	Tube, 1/4" ID X 3/8" OD X 6.5" Silicone
●	102580	Element, 1400W 120V Tank (Incl 6, 7 & 8)	20	100143	Bracket, Automatic Reset Hi-Limit T-stat, 240V
●	100071	Element, 1750W 120V Tank (Incl 6, 7 & 8)	●	100269	Bracket, Manual Reset Hi-Limit T-stat
●	102850	Element, 3500W 240V Tank (Incl 6, 7 & 8)	21	102835	Fitting, Bulkhead Outlet
7	100409	Gasket, .520 ID	22	100431	Nut, 9/16-24, 11/16 Brass Hex
8	100190	Nut, 1/2-20 Brass Jam	23	100030	Washer, .566 ID
9	704227	Thermostat, Regulating	24	202090	Breaker, Vacuum
10	100242	Screw, 8-32 X 1/4"	25	201112	Insert, 1/4" Tubing, Brass
11	102818	Bracket, Regulating Thermostat	26	102797	Tank, ACE Spotwelded
12	100135	Fitting, Bulkhead Outlet	27	152701	Tube, 3/8" OD, S/S Fill
13	100166	Sleeve, 3/8" Brass Compression	28	101720	Connector, Fem 3/8" Comp X 1/8 NPT
14	100170	Nut, 3/8" Compression	29	100209	Clip, Capillary Bulb
			30	100149	Elbow, Male 1/4 Comp X 1/8 NPT

ACE INTELLI-BREW TANK ASSEMBLY



<u>Item</u>	<u>Part No</u>	<u>Description</u>	<u>Item</u>	<u>Part No</u>	<u>Description</u>
	108008	Tank Assembly, 1400W 120V	108135		Tank Assembly, 3500W 240V
	108050	Tank Assembly, 1750W 120V	108002		Lid Assembly, IA Tank. Incl 1, 2, 3, 4, & 5
		The above tank assemblies include all item numbers shown except for items 1, 2, 3, 4 and 5			
1	108022	Probe, IA Water Level	13	100166	Sleeve, 3/8" Brass Compression
2	108023	Probe, IA Heater Safety	14	100170	Nut, 3/8" Compression
3	152207	Plug, Silicone Tank	15	100135	Fitting, Bulkhead Outlet
4	108003	O-Ring, 1/8 ID X 1/4 OD	16	152461	Clamp, S/S #10
5	110099	Lid, Molded, 6Y Tank	17	102874	Tube, 3/8" ID X 5/8" OD X 9" Silicone
6	102581	Element, 1100W 120V Tank (Incl 6, 7 & 8)	18	100440	Clamp, 3/8" Tube
●	102580	Element, 1400W 120V Tank (Incl 6, 7 & 8)	19	101135	Tube, 1/4" ID X 3/8" OD X 6.5" Silicone
●	100071	Element, 1750W 120V Tank (Incl 6, 7 & 8)	20	102835	Fitting, Bulkhead Outlet
●	102850	Element, 3500W 240V Tank (Incl 6, 7 & 8)	21	100431	Nut, 9/16-24, 11/16 Brass Hex
7	100409	Gasket, .520 ID	22	201112	Insert, 1/4" Tubing, Brass
8	100190	Nut, 1/2-20 Brass Jam	23	108007	Tank, Intelli-Brew Spotwelded
9	202090	Breaker, Vacuum	24	152184	Thermistor
10	100030	Washer, .566 ID	25	152397	Washer, Teflon
11	100174	Thermostat, Auto Reset Hi-Limit	26	151512	Nut, Wire Connector
●	100633	Thermostat, Manual Reset Hi-Limit	27	100213	Nut, 1/4-20 S/S Hex
12	100143	Bracket, Manual Reset Hi-Limit T-stat	28	152701	Tube, 3/8 OD, S/S Fill
	100269	Bracket, Automatic Reset Hi-Limit T-stat	29	100149	Elbow, Male 1/4 Comp X 1/8 NPT
			30	101720	Connector, Fem 3/8" Comp X 1/8 NPT

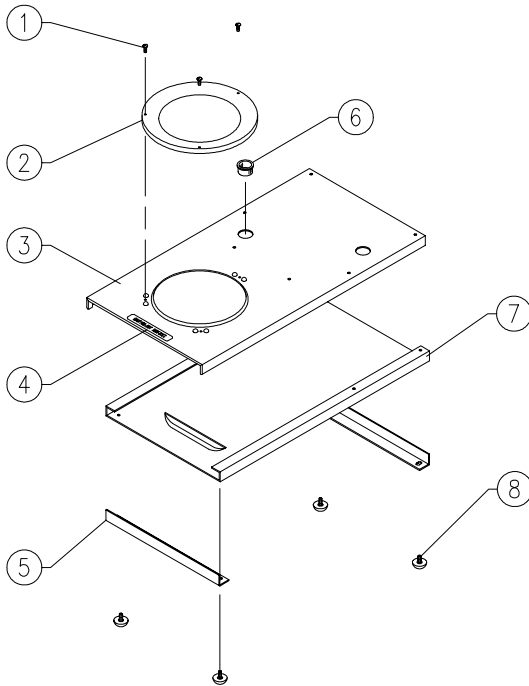
WARMER MODEL BASE ASSEMBLIES



LOW PROFILE BASE ASSEMBLY

Item	Part No	Description
1	100316	Step Up, Warmer
2	100003	Bushing, 3/4" Snap
3	100160	Screw, 4-40 X 5/8"
4	100010	Warming Plate Assembly, Black 120V 100W
5	102812	Base Top, LP
6	100254	Decal, "CAUTION:HOT SURFACES"
7	100078	Foot, Bumper
8	102845	Plate, Warmer Step Up Louvred Trim
9	102333	Screw, 6-32 X 3/8"
10	102814	Base Bottom, LP
11	102826*	Plate, LP Base Trim

* Part number shown is for the Stainless Steel version. When ordering add -B to part number for black parts where available.

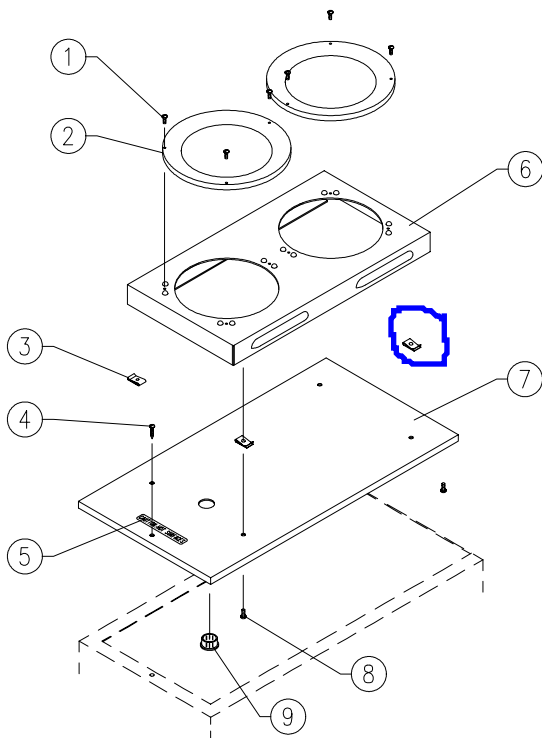


IN LINE BASE ASSEMBLY

Item	Part No	Description
1	100160	Screw, 4-40 X 5/8"
2	100010	Warming Plate Assembly, Black 120V 100W
3	102793	Base Top, S
4	100254	Decal, "CAUTION:HOT SURFACES"
5	102825*	Plate, S Base Trim
6	100003	Bushing, 3/4" Snap
7	102794	Base Bottom, S
8	100078	Foot, Bumper

* Part number shown is for the Stainless Steel version. When ordering add -B to part number for black parts where available.

COVER ASSEMBLY



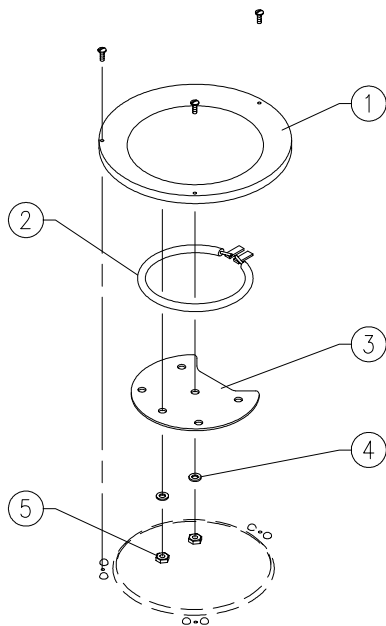
S MODEL COVER ASSEMBLY

<u>Item</u>	<u>Part No</u>	<u>Description</u>
1	100160	Screw, 4-40 X 5/8"
2	100010	Warming Plate Assembly, Black 120V 100W
3	100197	Clip, #8 Tinnerman
4	102333	Screw, 6-32 X 3/8"
5	100254	Decal, "CAUTION:HOT SURFACES"
6	705370	Stove, 2 Station
7	102790	Cover, 2 Station Blank
8	511027	Screw, 8-32 X 3/8"
9	100003	Bushing, 3/4" Snap

AP, LD, LP, TC, D, TD COVER ASSEMBLY

<u>Item</u>	<u>Part No</u>	<u>Description</u>
7	102789	Cover, Plain

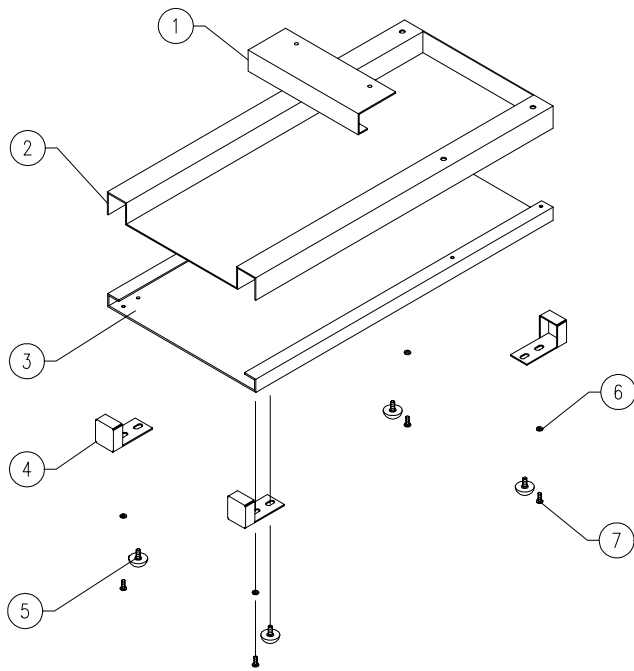
WARMER ASSEMBLY



WARMER PLATE ASSEMBLY

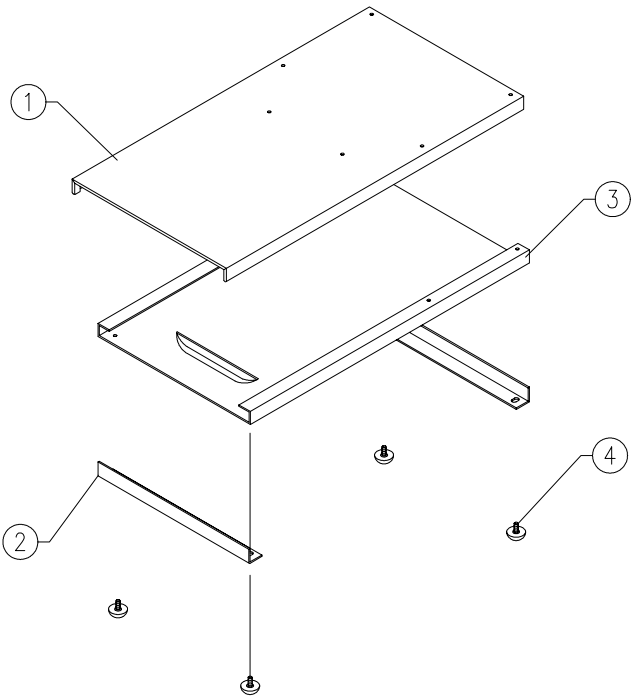
<u>Item</u>	<u>Part No</u>	<u>Description</u>
1	100008	Warming Plate, Black
2	100187	Element, Warmer 120V 100W
3	100086	Plate, Element Support
4	100054	Washer, #8 Lock
5	100061	Nut, 8-32 Hex

DISPENSER MODEL BASE ASSEMBLIES



LD and TC BASE ASSEMBLY

Item	Part No	Description
1	101736	Bracket, LD Stop
●	101846	Bracket, TC Stop
2	101853	Base Top, LD
●	101814	Base Top, LD 240V
●	101854	Base Top, TC
3	101739	Base Bottom, LD
●	101847	Base Bottom, TC
4	101740	Cap, S/S, LD End
●	101845	Cap, S/S, TC End
5	100078	Foot, Bumper
6	100054	Washer, #8
7	511027	Screw, 8-32 X 3/8"

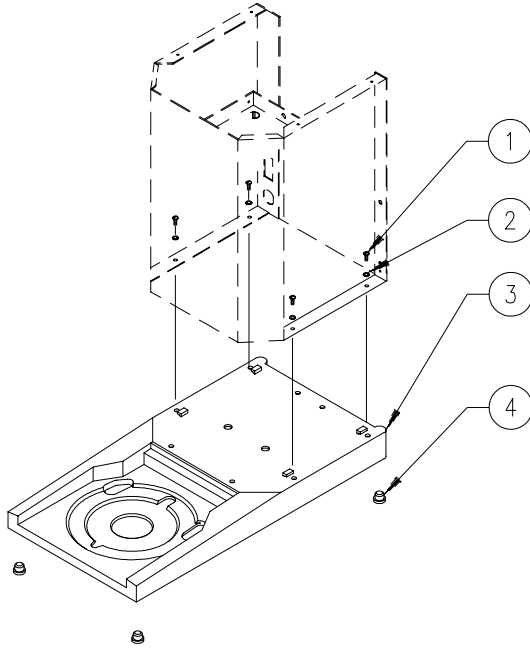


AIRPOT and DISPENSER BASE ASSEMBLIES

Item	Part No	Description
1	102763	Base Top, Dispenser
●	102761	Base Top, Dispenser 240V
●	102931	Base Top, Airpot
●	102893	Base Top, Airpot 240V
2	102825*	Plate, S Base Trim
3	102764	Base Bottom, Dispenser
●	102794	Base Bottom, Airpot
4	100078	Foot, Bumper

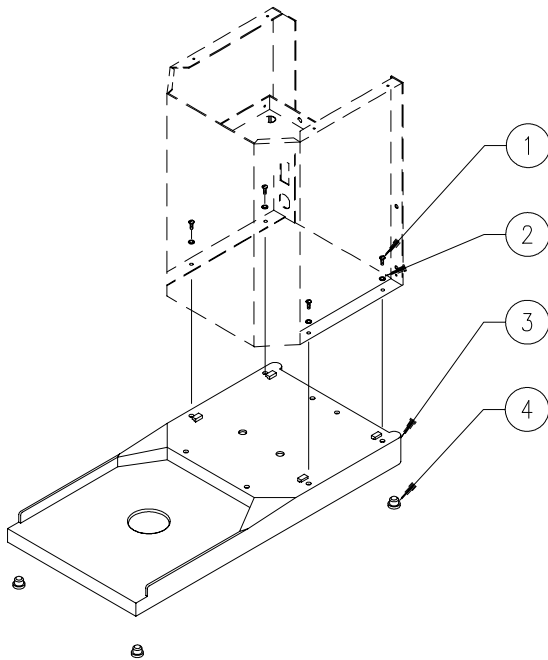
* Part number shown is for the Stainless Steel version. When ordering add -B to part number for black parts where available.

ALTERNATE ABS THERMAL BASE ASSEMBLIES



AP, LD & TC BASE ASSEMBLY

<u>Item</u>	<u>Part No</u>	<u>Description</u>
1	110359	Srew, #8 Thread Forming
2	100054	Washer, #8
3	110360	Base, AP, LD & TC includes item 4
4	100665	Toe, Rubber

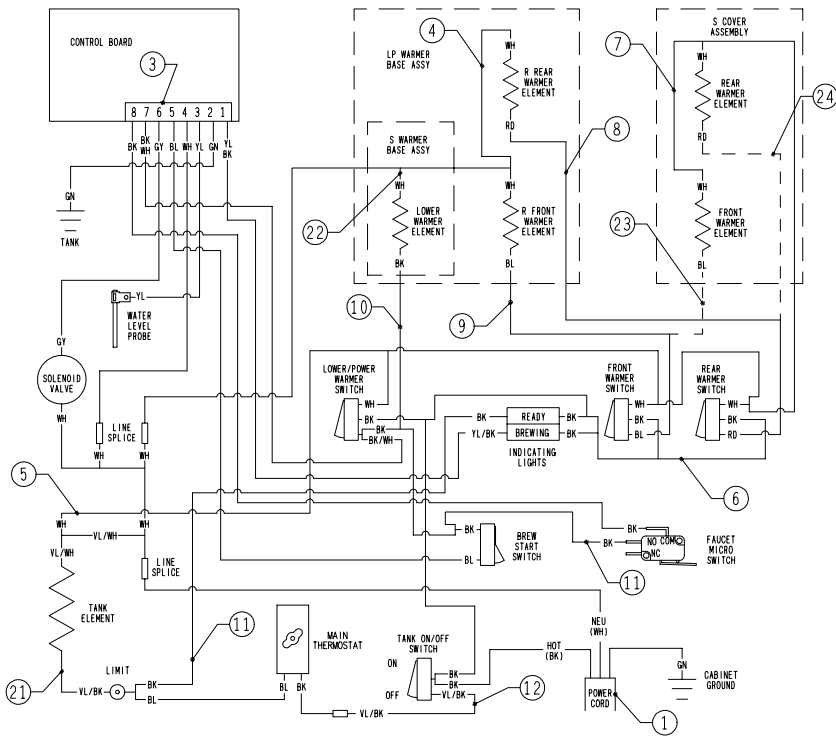


AIRPOT & DISPENSOR BASE ASSEMBLY

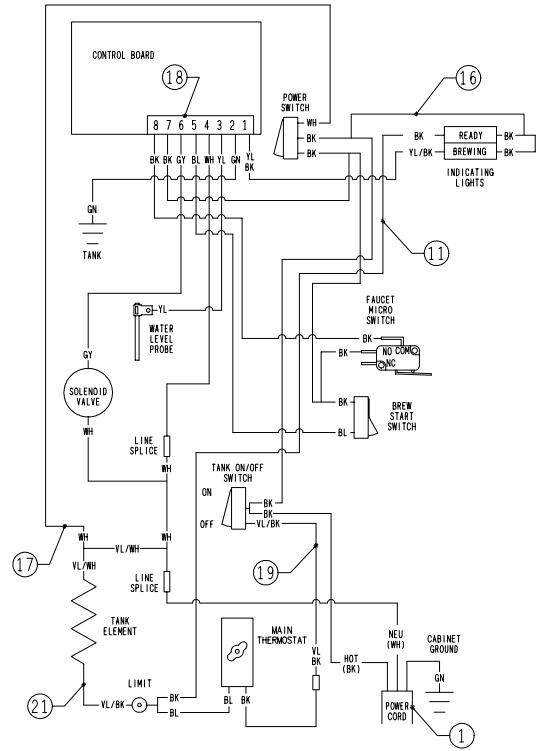
<u>Item</u>	<u>Part No</u>	<u>Description</u>
1	110359	Srew, #8 Thread Forming
2	100054	Washer, #8
3	110365	Base, Dispenser/Airpot includes item 4
4	100665	Toe, Rubber

ACE BREWER WIRING DIAGRAMS

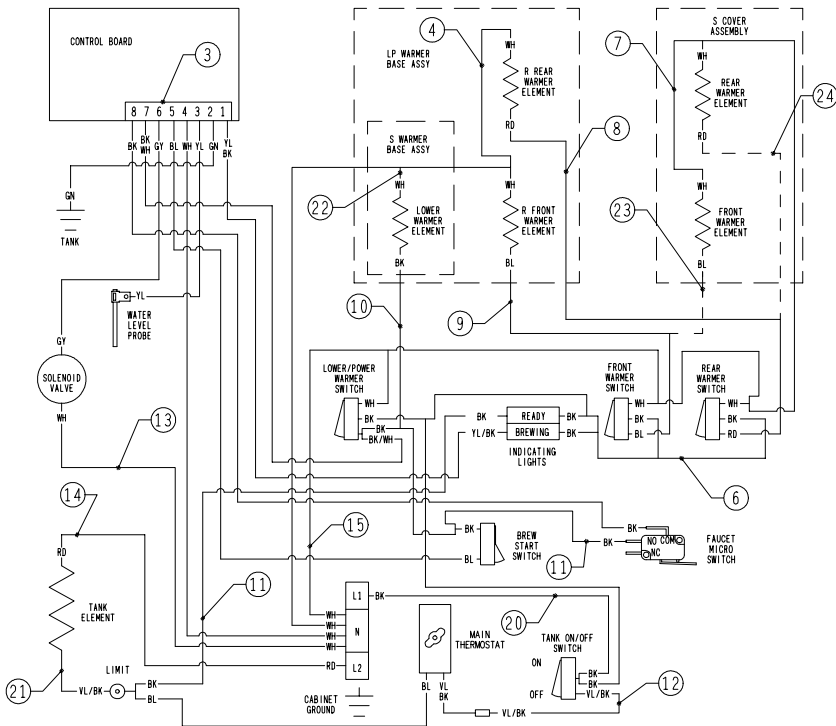
120V WARMER



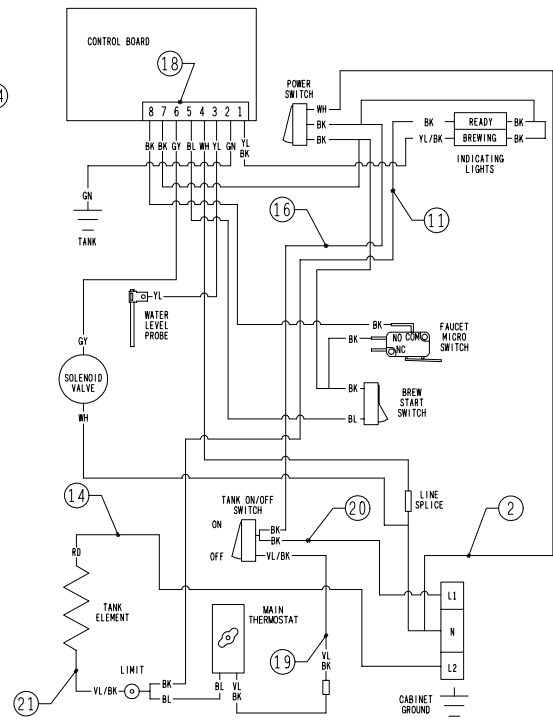
120V DISP.



240V WARMER

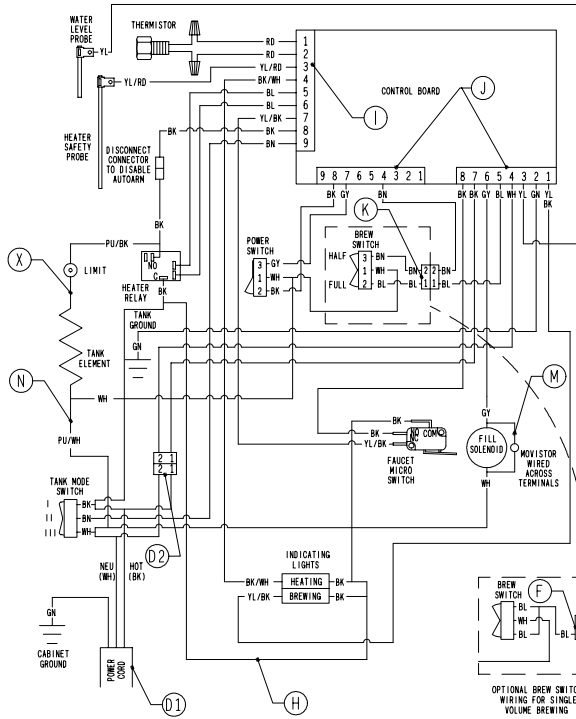


240V DISP.

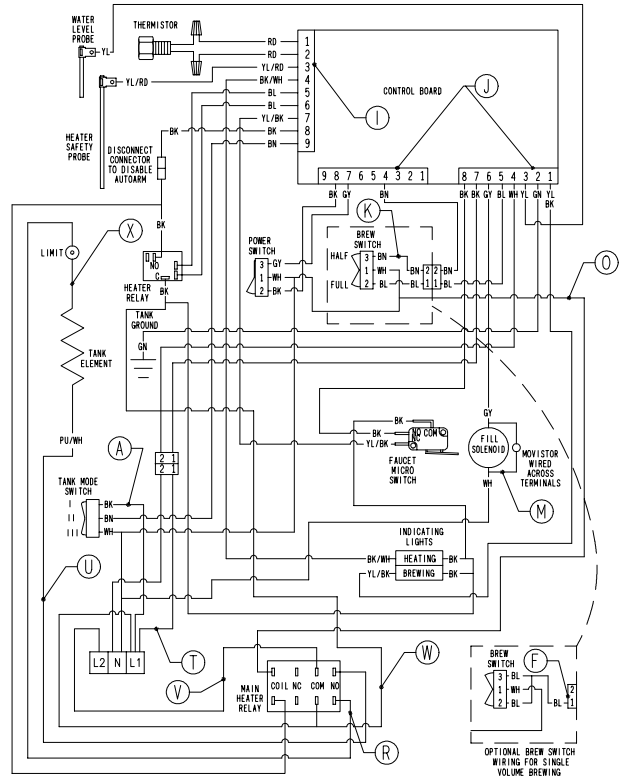


INTELLI-BREW BREWER WIRING DIAGRAMS

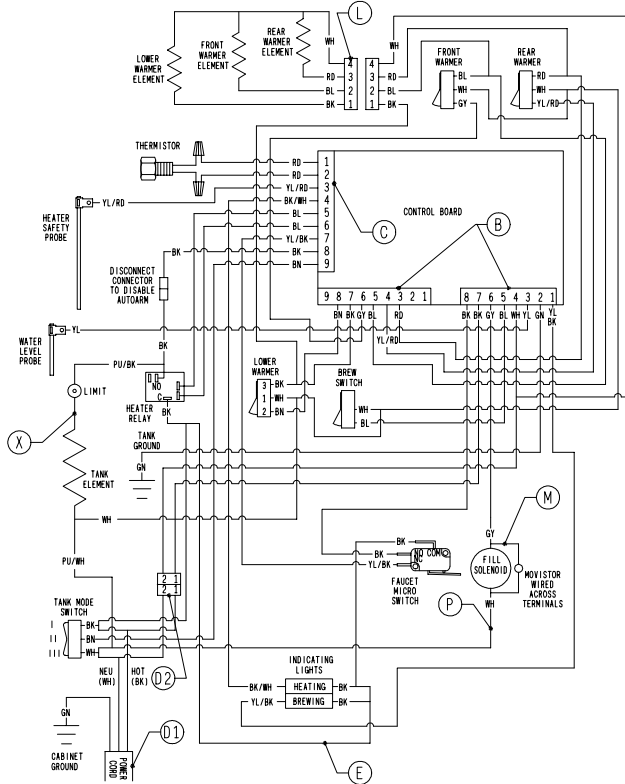
120V DISP.



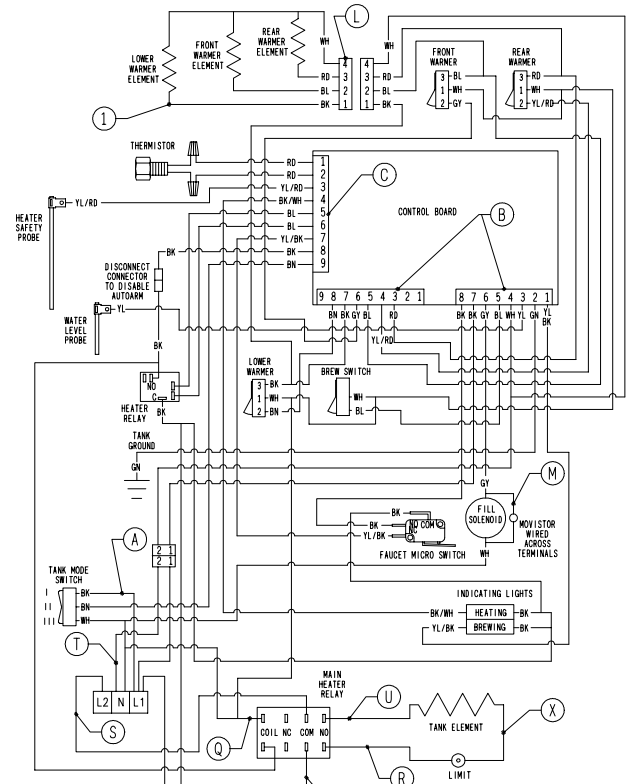
240V DISP.



120V WARMER



240V WARMER



GUIDE TO BREWER WIRING DIAGRAMS

Ace Harness Usage by Model and Voltage - See Wiring Diagrams on Page 12

Diagram Leader	Harness Part no	Description	ACE-LP		ACE-S		THERMAL	
			120 V	240V	120V	240V	120V	240V
1	100022	Power Cord, 15 Amp 120V	X		X		X	
2	102465	Harness, ACE Thermal 240V WH						X
3	102823	Harness, ACE Warmer Model Timer	X	X	X	X		
4	102828	Harness, ACE LP WH Base	X	X				
5	102829	Harness, ACE Warmer Model WH	X		X			
6	102830	Harness, ACE Warmer Model, BK	X	X	X	X		
7	102834	Harness, 2 Station Cover			X	X		
8	102837	Lead, 18 GA RD 47" TEF 1-2	X	X				
9	102838	Lead, 18 GA BL 37" TEF 1S-2	X	X				
10	102839	Harness, ACE BK Lower Warmer	X	X	X	X		
11	102857	Lead, 18 GA BK 12" TEF 1S-1S	X	X	X	X	X	X
12	102858	Lead, 14 GA VI/BK 19" TEF 1S-1	X	X	X	X		
13	102877	Lead, 18 GA WH 16" TEF 1-1		X		X		
14	102882	Lead, 14 GA VI/RD 24" TEF 1-1S		X		X		X
15	102883	Harness, ACE Warmer 240V WH		X		X		
16	102934	Harness, ACE Thermal Model, BK					X	X
17	102935	Harness, ACE Thermal 120V WH					X	
18	102936	Harness, ACE Thermal Model Timer					X	X
19	102937	Lead, 14 GA VI/BK 25" TEF 1S-1S					X	X
20	103015	Lead, 14 GA VI/BK 7" TEF 1S-1		X		X		X
21	700130	Lead, 14 GA VI/BK 5" TEF 1S-1S	X	X	X	X	X	X
22	705418	Lead, 18 GA WH 14" TEF 1-2			X	X		
23	705428	Lead, 18 GA BL 18" TEF 1-1			X	X		
24	705548	Lead, 18 GA RD 21" TEF 1-1			X	X		

Intelli-Brew Harness Usage by Model and Voltage - See Wiring Diagrams on Page 13

Diagram Leader	Harness Part no	Description	LP Model		Thermal Models	
			120	240	120	240
A	103054	Lead, 18 GA BK 8" TEF 1-1		X		X
B	108001	Harness, IALP Main Control Board	X	X		
C	108006	Harness, IALP Control Board	X	X		
D2	108016	Harness, IA Cord Connection, Incl In D1	X		X	
E	108021	Harness, IALP 120V BK	X			
F	108036	Harness, IA Thermal Single Vol Brew Switch			X	X
G	108038	Harness, IALP 240V BK		X		
H	108055	Harness, IA Thermal 120V BK			X	
I	108056	Harness, IA Thermal Control Board			X	X
J	108057	Harness, IA Thermal Main Control Board			X	X
K	108058	Harness, IA Thermal Dual Vol Brew Switch			X	X
L	108059	Harness, IALP Base	X	X		
D1	108090	Harness, 120V IA Power Cord Assy, Incl D2	X		X	
M	108200	Movistor Assembly	X	X	X	X
N	108201	Harness, IA Thermal 120V VI/WH			X	
O	108202	Harness, IA Thermal 240V WH				X
P	108203	Harness, IALP 120V WH	X			
Q	108204	Harness, IALP 240V WH		X		
R	108215	Lead, 14 GA VI/BK 7" 1S-1S		X		X
S	108217	Lead, 14 GA 22" VI/WH TEF 1S-1		X		
T	108221	Harness, IA 240V Power		X		X
U	108222	Lead, 14 GA 6" VI/WH TEF 1S-1S		X		X
V	108223	Lead, 14 GA 31" VI/WH TEF 1S-1				X
W	108224	Harness, IA Thermal 240V BK				X
X	700130	Lead, 14 GA VI/BK 5" TEF 1S-1S	X	X	X	X

MODEL ILLUSTRATIONS

