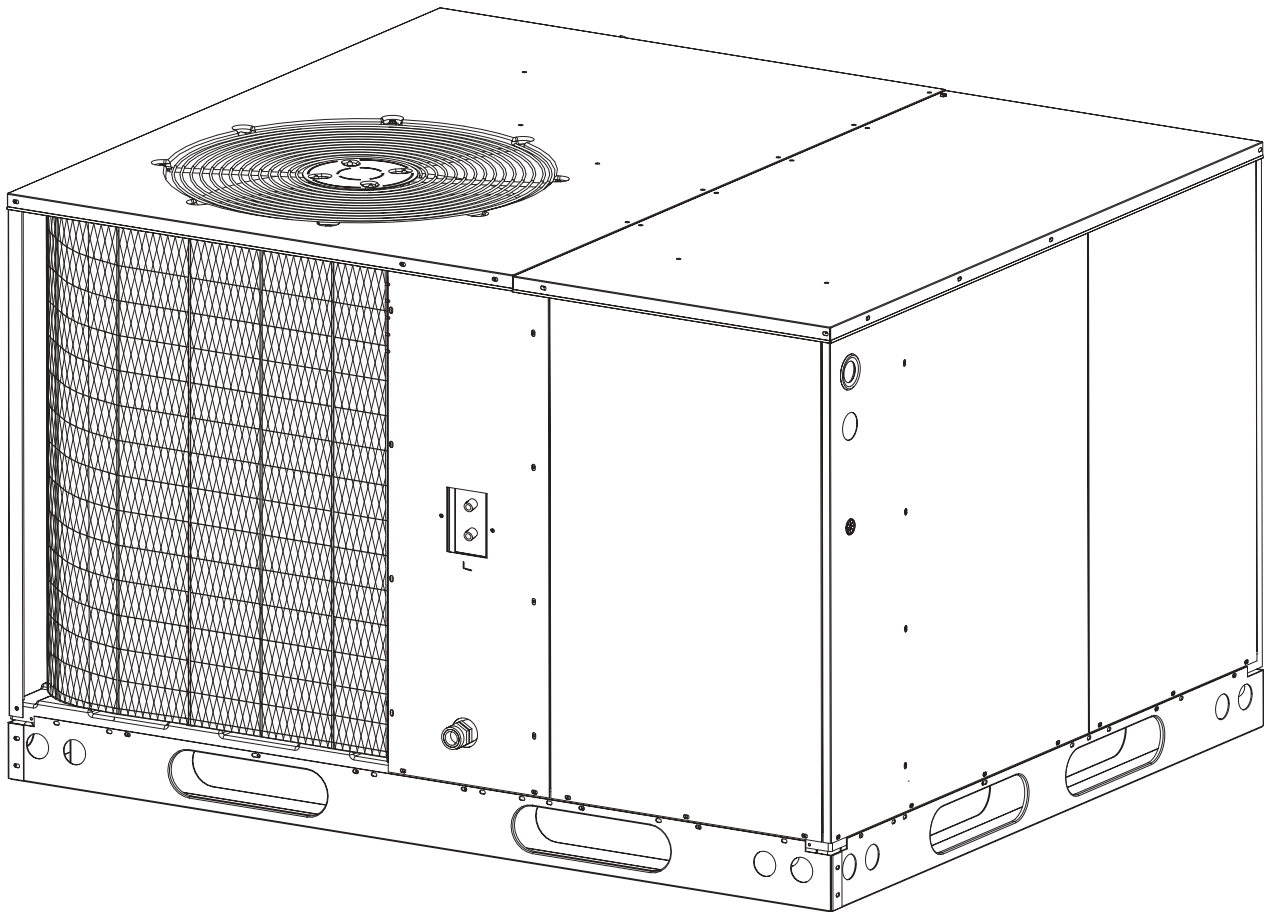


**Single Package Heat Pump  
460 Volt (\*)Q4 Models**



## 460 Volt - Models (\*)Q4SA

REPLACEMENT PARTS LIST			(*)Q4SA	(*)Q4SA	(*)Q4SA
Item	Part #	Description	036D	048D	060D
1	D05480R	Bottom Pan	1	1	1
2	<sup>2</sup> D12601	Base Rail, Short	2	2	2
3	<sup>2</sup> D12602	Base Rail, Long	2	2	2
4	263210	Orifice	1	1	1
5	D04870R	Top Pan, Right	1	1	1
6	D05660R	Top Pan, Left	1	1	1
7	D05624R	Corner Panel	1		
	D05625R			1	1
8	D05554R	Supply Panel	1		
	D05555R			1	1
9	D05564R	Return Panel	1		
	D05565R			1	1
10	1 D05201	Front Panel	1		
	1 D05202			1	1
	1 D12461		1		
	1 D12462			1	1
11	D05541R	Blower Panel	1		
	D05542R			1	1
12	D06631	Service Panel	1		
	D06632			1	1
13	D09994	Corner Brace	1		
	D09996			1	1
14	D05501R	Divider Panel	1		
	D05502R			1	1
15	D05681R	Close Off Panel	1		
	D05682R			1	1
16	D07451	Header Cover	1		
	D07452			1	1
17	386451	Header Cover Access Panel	1		
	386452			1	1
18	913774	Compressor, CR35K6-TFD-960	1		
	917056	Compressor, ZR47KC-TFD-935		1	
	917000	Compressor, ZR61KC-TFD-930			1
19	917325	Blower Motor	1		
	917327			1	1
20	667251	Blower Wheel	1		
	667283			1	1
21	621741	Fan Motor	1	1	
	621742				1
22	667279	Fan Blade	1		
	667278			1	
	667282				1
24	621667	Contact, Three Pole, 30A	1	1	1
25	621850	Transformer, 40 VA	1	1	1
26	D07481	Blower Housing, 10" x 6"	1		
	D07483	Blower Housing, 10" x 10"		1	1
27	917178	Defrost Board	1	1	1
28	621435	Blower Capacitor, 10/370	1		
	621499	Blower Capacitor, 15/370		1	1
29	669175	Top Grille	1	1	1
30	D09372	Coil Guard, 30" x 76"	1		
	D09373	Coil Guard, 34" x 76"		1	1

<sup>1</sup>D12461 and D12462 replaces D05201 and D05202 approximately December, 2000.

<sup>2</sup>Units built before February, 2001 must replace both rails at once.

## 460 Volt - Models (\*)Q4SA

REPLACEMENT PARTS LIST			(*)Q4SA 036D	(*)Q4SA 048D	(*)Q4SA 060D
Item	Part #	Description			
31	D06261R	Formed Outdoor Coil	1		
	D06262R			1	
	D06263R				1
32	D06251	Indoor Coil	1		
	D06252			1	
	D06253				1
33	664075	Indoor Restrictor (.075")	1		
	664087	Indoor Restrictor (.087")		1	
	664099	Indoor Restrictor (.099")			1
34	664063	Outdoor Restrictor (.063")	1		
	664075	Outdoor Restrictor (.075")		1	
	664083	Outdoor Restrictor (.083")			1
35	279722R	Drain Channel	1	1	1
36	663717	Drain Tube	1	1	1
37	669190	Drain Pan	1	1	1
38	D05530R	Duct Cap Assembly	2	2	2
39	600284	Compressor Bolts	4	4	4
40	668396	Compressor Grommet	4		
	668530			4	4
41	663581	Indoor Distributor Assembly (4 circuit)	1		
	663584	Indoor Distributor Assembly (6 circuit)		1	1
42	663579	Outdoor Distributor Assembly (3 circuit)	1		
	663581	Outdoor Distributor Assembly (4 circuit)		1	
	663582	Outdoor Distributor Assembly (5 circuit)			1
43	263392	Coil Support	1		
	263394			1	1
44	D05440	Drain Pan Stand	1	1	1
45	258952	Wire Conduit	1	1	1
46	632235	Dual Grounding Lug	1	1	1
47	D05431	Control Panel	1		
	D05432			1	1
48	689514	Wire Grommet	3	3	3
49	689513	Coil Gasket	1	1	1
50	689515	Control Panel Insulation	1		
	689516			1	1
51	689477	Bottom Pan Insulation, Right	1	1	1
52	689532	Bottom Pan Insulation, Left	1	1	1
53	689494	Corner Panel Insulation	1		
	689495			1	1
54	D05120	Low Voltage Divider	1	1	1
55	D05461	Blower Transition Panel	1		
	D05462			1	1
56	D05420	Electric Heat Panel	1	1	1
57	D05450	Blower Transition Side Panel	1	1	1
58	263860	Electric Heat Bracket	1	1	1
59	632221	Terminal Block	1	1	1
60	226420	Close Off Plate	2	2	2
61	621867	Blower Relay	2	2	2
62	668793	Accumulator	1		
	668794			1	1
63	668767	Reversing Valve	1		
	668769			1	1
64	668770	Reversing Valve Coil	1	1	1
65	626488	Defrost Sensor	1	1	1

