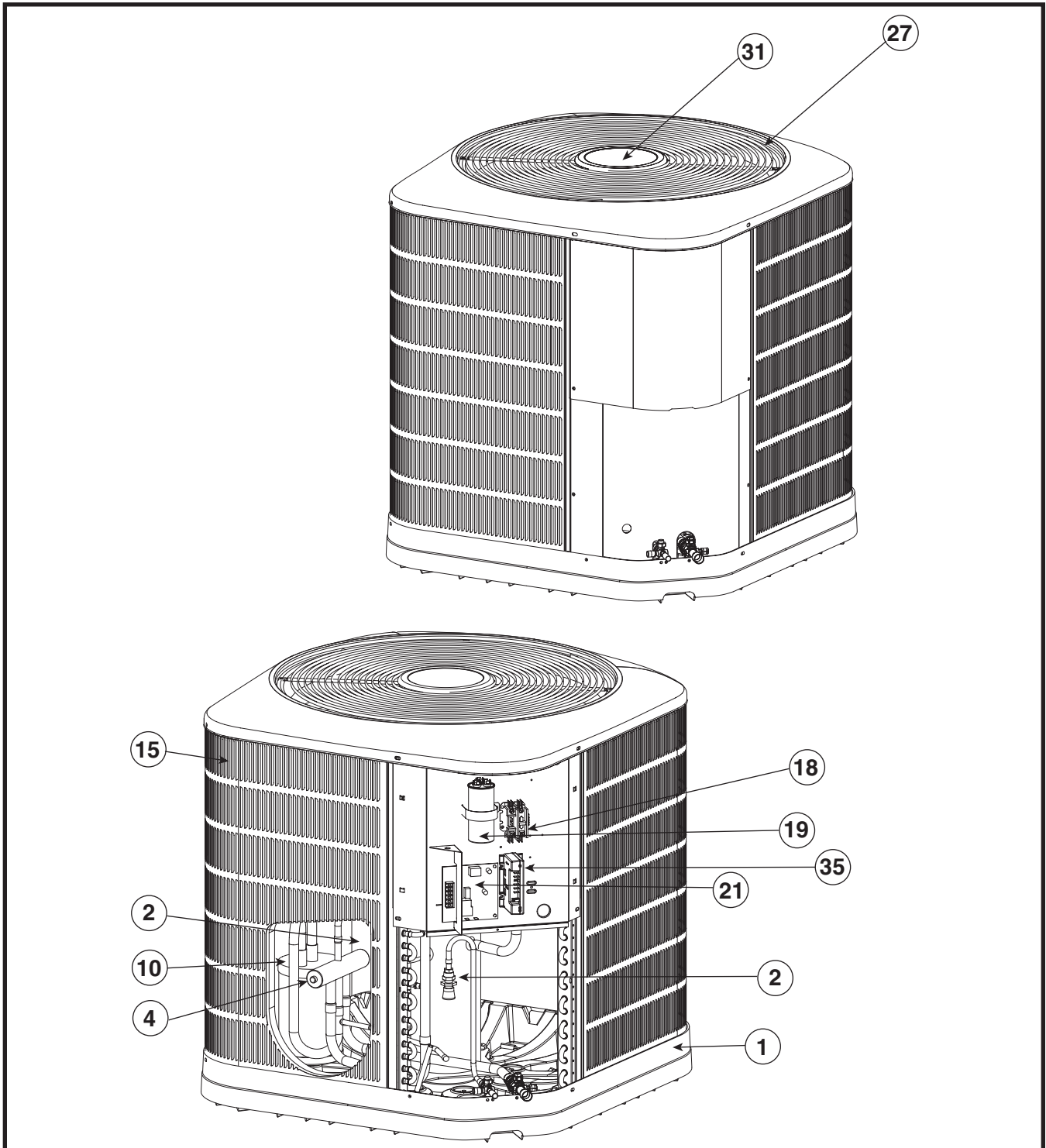


REPLACEMENT PARTS LIST

Residential Split System Heat Pump PSH4BF-KA / KB Series 16 SEER Models



PSH4BF-KA / KB Series Residential Split System Heat Pump

ITEM	DESCRIPTION	SINGLE PHASE 208/230				
		024KA	024KB	036KA	048KA	060KA
1	Bottom Pan	669485	669485	669485	669485	669485
2	Compressor	921844	921844	920335	920336	920337
3	Compressor Plug LV, 2 Stage (Not Shown)	634661	634661	634661	634661	634661
4	Reversing Valve	669465	669465	—	—	—
5	Reversing Valve Coil	669470	669470	669470	669470	669470
6	Muffler	669546	669546	669546	669546	669546
7	Ambient Temperature Sensor (Not Shown)	624701	624701	624701	624701	624701
10	Accumulator	668853	668853	668854	668854	668854
11	Thermostatic Expansion Valve NOTE: For units manufactured after 7/7/2009 (Not Shown)	669770	669770	669770	669771	669772
12	Compensator Tank (Not Shown)	N/A	N/A	669422	669422	669422
13	Coil Temperature Sensor (Not Shown)	624702	624702	624702	624702	624702
15	Outdoor Coil (Formed)*	499534RD	499534RD	2B6041RD	2B6041RD	2B6041RD
18	Contactora	621661	621661	621661	621662	621662
19	Capacitor	620762	620762	620888	621153	621717
21	Repl. Defrost Control	920338	920338	920338	920338	920338
24	Condenser Motor (Not Shown)	—	622080	622018	—	—
25	Condenser Motor Relay (Not Shown)	N/A	N/A	621931	N/A	N/A
26	Fan Blade (Not Shown)	667319	667319	667319	667319	667319
27	Fan Grill	669591	669591	669591	669591	669591
28	Motor Wire Conduit (Not Shown)	664290	664290	664290	664290	664290
29	Nut, 8-32 (Not Shown)	606261	606261	606261	606261	606261
31	Top Cap	289551R	289551R	289551R	289551R	289551R
32	Low Pressure Switch (Not Shown)	632393	632393	632393	632393	632393
33	High Pressure Switch (Not Shown)	632473	632473	632473	632473	632473
35	Comfort Alert 2 Module (Not Shown)	624651	624651	624651	624651	624651
36	Crankcase Heater (Not Shown)	632410	632410	632410	632410	632410
37	Filter Dryer (Not Shown)	669373	669373	669373	669373	669373
38	Compressor Sound Blanket (Not Shown)	689792	689792	689792	689792	689793
39	Compressor Power Plug, HV (Not Shown)	634659	634659	634659	634660	634660
41	Grommet, Compressor	688530	688530	688530	688530	688530

Please specify Model No., Serial No., and the correct part number(s) when ordering parts from the nearest authorized dealer or service center.

* The distributor body is brazed on the outdoor coil (ITEM 15) at the factory. When ordering a replacement, the expansion valve (ITEM 11b) must also be ordered.

