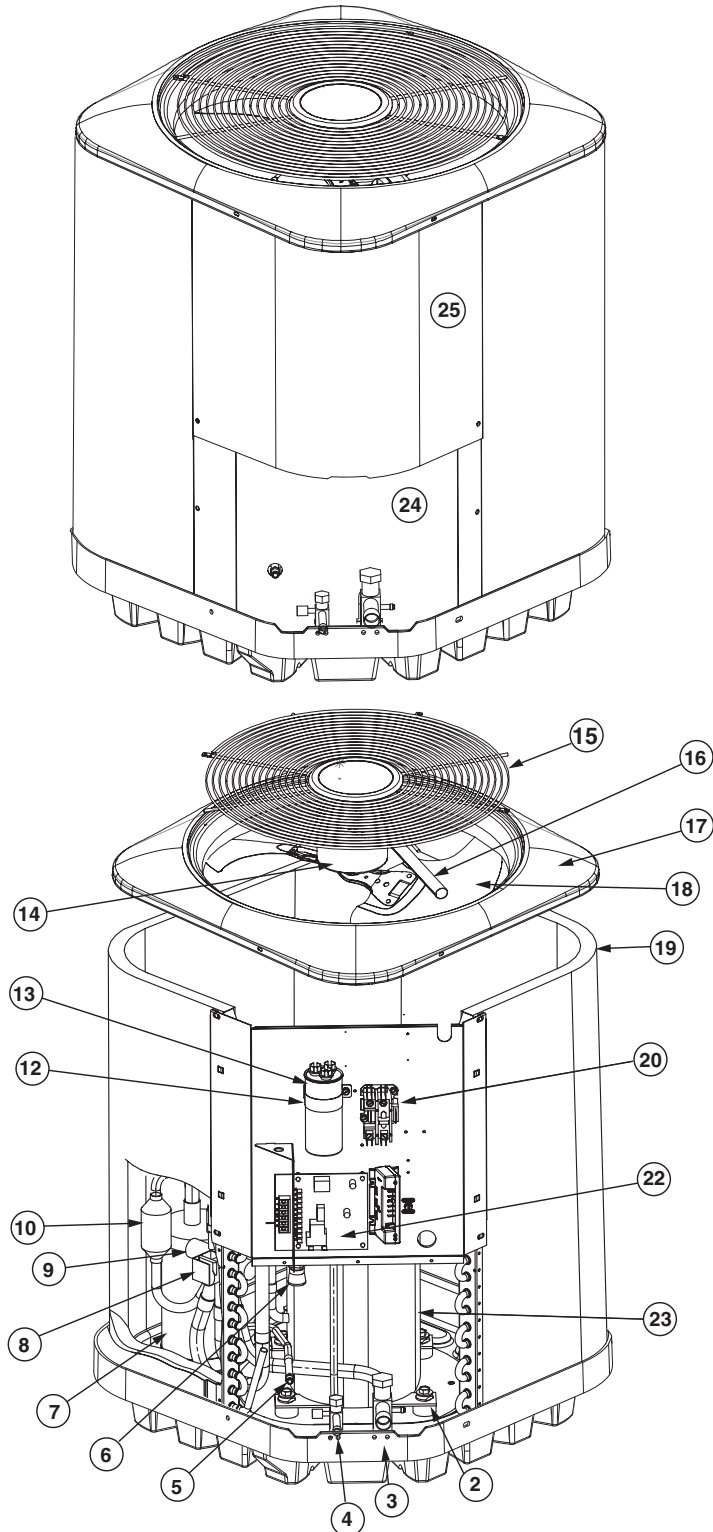


# REPLACEMENT PARTS LIST

## RESIDENTIAL SPLIT SYSTEM HEAT PUMP PSH4BD SERIES 13 SEER MODELS

ITEM #	COMPONENT
2	COMPRESSOR GROMMET
3	REFRIGERANT VALVE (LG)
4	REFRIGERANT VALVE (SM)
5	SCHRADER VALVE
6	SWIVEL CONNECTOR
7	ACCUMULATOR
8	REVERSING VALVE COIL
9	REVERSING VALVE
10	MUFFLER
12	CAPACITOR STRAP
13	CAPACITOR
14	OUTDOOR FAN MOTOR
15	OUTDOOR FAN GRILLE
16	MOTOR WIRE CONDUIT
17	TOP PAN </td
18	OUTDOOR FAN BLADE
19	OUTDOOR COIL
20	CONTACTOR
22	DEFROST BOARD
23	COMPRESSOR
24	ACCESS PANEL
25	CONTROL BOX COVER



## PSH4BD Series Residential Split System Heat Pump

COMPONENT	PSH4BD018K	PSH4BD024K	PSH4BD030K	PSH4BD036K	PSH4BD042K	PSH4BD048K	PSH4BD060K
	918541P	918542P	918543P	918544P	918545P	918546P	918547P
Access Panel	<a href="#">274013BR</a>	<a href="#">274014BR</a>	274015BR	<a href="#">274016BR</a>	274015BR	<a href="#">274016BR</a>	<a href="#">274016BR</a>
Accumulator	668853	668853	668853	668794	668854	668854	668854
Capacitor	<a href="#">01-0082</a>	<a href="#">01-0083</a>	<a href="#">01-0084</a>	<a href="#">01-0085</a>	<a href="#">01-0271</a>	<a href="#">01-0278</a>	<a href="#">01-0279</a>
Compensator Tank	—	—	—	—	669422	669422	669422
Compressor	<a href="#">921421</a>	<a href="#">921422</a>	<a href="#">921425</a>	<a href="#">921427</a>	<a href="#">1017098R</a>	<a href="#">921466</a>	<a href="#">921468</a>
Compressor Blanket	<a href="#">689791R</a>	<a href="#">689791R</a>	<a href="#">689791R</a>	<a href="#">689791R</a>	<a href="#">689792R</a>	<a href="#">689792R</a>	<a href="#">689792R</a>
Compressor Grommet	668530	668530	668530	668530	668530	668530	668530
Compressor Molded Plug	<a href="#">634660R</a>	<a href="#">634660R</a>	<a href="#">634660R</a>	<a href="#">634660R</a>	<a href="#">634660R</a>	<a href="#">634660R</a>	<a href="#">634660R</a>
Contactora	624712	624712	624712	624712	624712	624713	624714
Control Box Cover	276921B	276921B	276921B	276921B	276921B	276921B	276921B
Crankcase Heater	632410	632410	632410	632410	632410	632410	632410
Defrost Board	<a href="#">917178A</a>	<a href="#">917178A</a>	<a href="#">917178A</a>	<a href="#">917178A</a>	<a href="#">917178A</a>	<a href="#">917178A</a>	<a href="#">917178A</a>
Defrost Sensor	<a href="#">626491R</a>	<a href="#">626491R</a>	<a href="#">626491R</a>	<a href="#">626491R</a>	<a href="#">626491R</a>	<a href="#">626491R</a>	<a href="#">626491R</a>
Distributor (One Piece) ** (For Units Produced On Or After June 1 2012)	<a href="#">664717R</a>	<a href="#">664717R</a>	<a href="#">664717R</a>	<a href="#">664718R</a>	<a href="#">664719R</a>	<a href="#">664719R</a>	<a href="#">664719R</a>
Distributor (Two Pieces) (For Units Produced Before May 31 2012)	<a href="#">663579R</a>	<a href="#">663579R</a>	<a href="#">663579R</a>	<a href="#">663581R</a>	<a href="#">663582R</a>	<a href="#">663582R</a>	<a href="#">663582R</a>
Filter Drier	669762	669762	669762	669762	669761	669761	669761
High Pressure Switch	<a href="#">632473R</a>	<a href="#">632473R</a>	<a href="#">632473R</a>	<a href="#">632473R</a>	<a href="#">632473R</a>	<a href="#">632473R</a>	<a href="#">632473R</a>
Low Pressure Switch	<a href="#">632393R</a>	<a href="#">632393R</a>	<a href="#">632393R</a>	<a href="#">632393R</a>	<a href="#">632393R</a>	<a href="#">632393R</a>	<a href="#">632393R</a>
Motor Wire Conduit	<a href="#">664290</a>	<a href="#">664290</a>	<a href="#">664290</a>	<a href="#">664290</a>	<a href="#">664290</a>	<a href="#">664290</a>	<a href="#">664290</a>
Muffler	<a href="#">669546R</a>	<a href="#">669546R</a>	<a href="#">669546R</a>	<a href="#">669546R</a>	<a href="#">669546R</a>	<a href="#">669546R</a>	<a href="#">669546R</a>
"Outdoor Coil, W/ 1 Pc. Distributor** (For Units Produced On Or After June 1 2012)"	<a href="#">2C3321RD</a>	<a href="#">2C3291RD</a>	<a href="#">2C3301RD</a>	<a href="#">2C3331RD</a>	<a href="#">2C3311RD</a>	<a href="#">2C3341RD</a>	<a href="#">2C3341RD</a>
"Outdoor Coil, W/ 2 Pc. Distributor (For Units Produced Before May 31 2012)"	<a href="#">499539RD</a>	<a href="#">499532RD</a>	<a href="#">499533RD</a>	<a href="#">2B6001RD</a>	<a href="#">499535RD</a>	<a href="#">2B6041RD</a>	<a href="#">2B6041RD</a>
Outdoor Fan Blade	<a href="#">667351R</a>	<a href="#">667351R</a>	<a href="#">667351R</a>	<a href="#">667351R</a>	<a href="#">667319R</a>	<a href="#">667319R</a>	<a href="#">667319R</a>
Outdoor Fan Grille	669591R	669591R	669591R	669591R	669591R	669591R	669591R
Outdoor Fan Motor	<a href="#">622080</a>	<a href="#">622080</a>	<a href="#">622080</a>	<a href="#">622080</a>	<a href="#">622066</a>	<a href="#">622066</a>	<a href="#">622066</a>
Refrigerant Valve (Lg)	<a href="#">663864R</a>	<a href="#">663864R</a>	<a href="#">663864R</a>	<a href="#">663865R</a>	<a href="#">663865R</a>	<a href="#">663865R</a>	<a href="#">663865R</a>
Refrigerant Valve (Sm)	<a href="#">664850R</a>	<a href="#">664850R</a>	<a href="#">664850R</a>	<a href="#">664850R</a>	<a href="#">664850R</a>	<a href="#">664850R</a>	<a href="#">664850R</a>
Reversing Valve	<a href="#">669465R</a>	<a href="#">669465R</a>	<a href="#">669465R</a>	<a href="#">M0079102</a>	<a href="#">M0079102</a>	<a href="#">M0079102</a>	<a href="#">M0079102</a>
Reversing Valve Coil	<a href="#">669470R</a>	<a href="#">669470R</a>	<a href="#">669470R</a>	669937R	669937R	669937R	669937R
Schrader Fitting	<a href="#">664423</a>	<a href="#">664423</a>	<a href="#">664423</a>	<a href="#">664423</a>	<a href="#">664423</a>	<a href="#">664423</a>	<a href="#">664423</a>
Swivel Nut Connector†	<a href="#">664194R</a>	<a href="#">664194R</a>	<a href="#">664194R</a>	<a href="#">664194R</a>	<a href="#">664194R</a>	<a href="#">664194R</a>	<a href="#">664194R</a>

Please specify the correct Model No., Serial No., and part number(s) when ordering parts from the nearest authorized dealer or service center.

To replace a restrictor for the outdoor or indoor unit, refer to the Quick Reference Data document that came with the unit to determine the size of the restrictor. The part number scheme for restrictors is "664" and three decimal places of the size of the restrictor. For example, a 0.042" restrictor part number would be 664042.

\*\*Units built after 6/1/2012 have a different distributor and liquid valve and the outdoor restrictor is inside of the liquid service valve.

† This part is only needed if replacing a two piece distributor.

