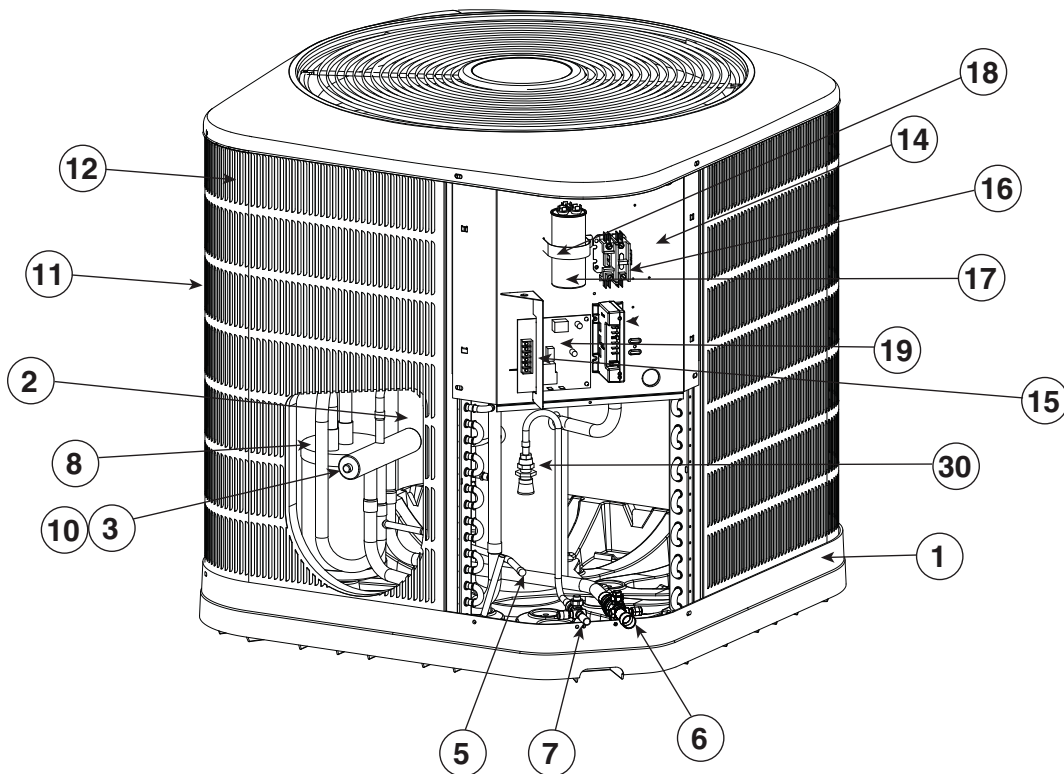
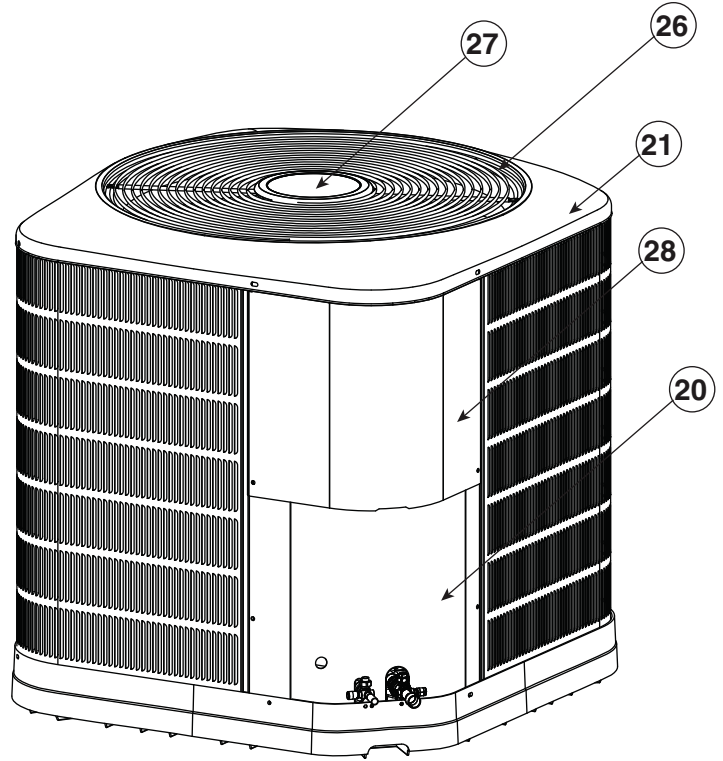


# REPLACEMENT PARTS LIST

**PSH2BD** 13 SEER Residential  
 Split System Heat Pump



## PSH2BD Series 13 SEER Residential Split System Heat Pump

ITEM	DESCRIPTION	018K	024K	030K	036K	042K	048K	060K
1	Bottom Pan	669485	669485	669485	669485	669485	669485	669485
2	Compressor	914933	917950	914654	914927	918423	917243	918103
3	Reversing Valve	669464	669464	669465	669466	669466	669466	669466
4	Muffler (not shown)	669571	669571	669571	669571	669571	669571	669571
5	Service Valve	663621	663621	663621	663621	663621	663621	663621
6	Refrigerant Valve (Large)	664276	664276	664276	663923	663923	663923	663923
7	Refrigerant Valve (Small)	663862	663862	663862	663862	663862	663862	663862
8	Accumulator	668853	668853	668853	668794	668854	668854	668854
9	Distributor Assembly (not shown)	663911	663911	663579	663581	663581	663582	663584
10	Coil, Reversing Valve	669470	669470	669470	669470	669470	669470	669470
11	Coil Guard (Formed)	277532SR	277532SR	277535SR	277536SR	277535SR	277536SR	277536SR
12	Outdoor Coil (Formed)	2A6690R	2A6690R	499533R	499534R	499538R	917364	499536R
13	Defrost Sensor (Not Shown)	626491	626491	626491	626491	626491	626491	626491
14	Control Box	277361	277361	277361	277361	277361	277361	277361
15	Low Voltage Divider	258791	258791	258791	258791	258791	258791	258791
16	Contactora	621661	621661	621661	621661	621661	621662	621665
17	Capacitor	620762	620762	620763	621635	620779	621698	621717
18	Capacitor Strap	258781	258781	258781	258780	258780	258780	258780
19	Defrost Control Board	917178A	917178A	917178A	917178A	917178A	917178A	917178A
20	Access Panel	274012S	274012S	274015S	274016S	274015S	274016S	274016S
21	Top Pan	284701	284701	284701	284701	284701	284701	284701
22	Fan Motor	622171	622171	622080	622080	622080	622066	622066
23	Fan Blade	667358	667358	667351	667319	667319	667319	667319
24	Nut, Acorn	606260	606260	606260	606260	606260	606260	606260
25	Motor Wire Conduit (not shown)	664162	664162	664162	664162	664162	664162	664162
26	Fan Grille	669486	669486	669486	669486	669486	669486	669486
27	Top Cap	275291B	275291B	275291B	275291B	275291B	275291B	275291B
28	Control Box Cover	275921S	276921S	276921S	276921S	276921S	276921S	276921S
29	Liquid Line Solenoid Kit (Field Installed) (Not Shown)	917357	917357	917357	917357	917357	917357	917357
30	Swivel Connector	663394	663394	663394	663394	663394	663394	663394
31	Restrictor (Not Shown)	664041	664047	664049	664057	664055	664065	664067
32	Grommet, Compressor (Not Shown)	668530	668530	668530	668530	668530	668530	668530
33	Bolt, Compressor (Not Shown)	600426	600426	600426	600426	600426	600426	600426
34	Close Off Plate (Not Shown)	286511	286511	286511	286511	286511	286511	286511
35	Comfort Alert Module (not shown)	624666	624666	624666	624666	624666	624666	624666
36	Compressor Sound Blanket (Not Shown)	689791	689791	689791	689792	689792	689792	689793
37	Low Pressure Switch (Not Shown)	632393	632393	632393	632393	632393	632393	632393
38	Tee, Copper (Not Shown)	662226	662226	662226	662226	662226	662226	662226
39	Crankcase Heater (Not Shown)	632410	632410	632410	632410	632410	632410	632410
40	Filter Drier (Not Shown)	669379	669379	669379	669379	669379	669379	669379
41	Core, Charging Port (Not Shown)	662103	662103	662103	662103	662103	662103	662103
42	Set of Wires (Not Shown)	286542	286542	286543	286544	286544	286544	286545

Specify Model No. and Serial No. along with the exact part number(s) when ordering parts from the nearest authorized Dealer or Service Center.

