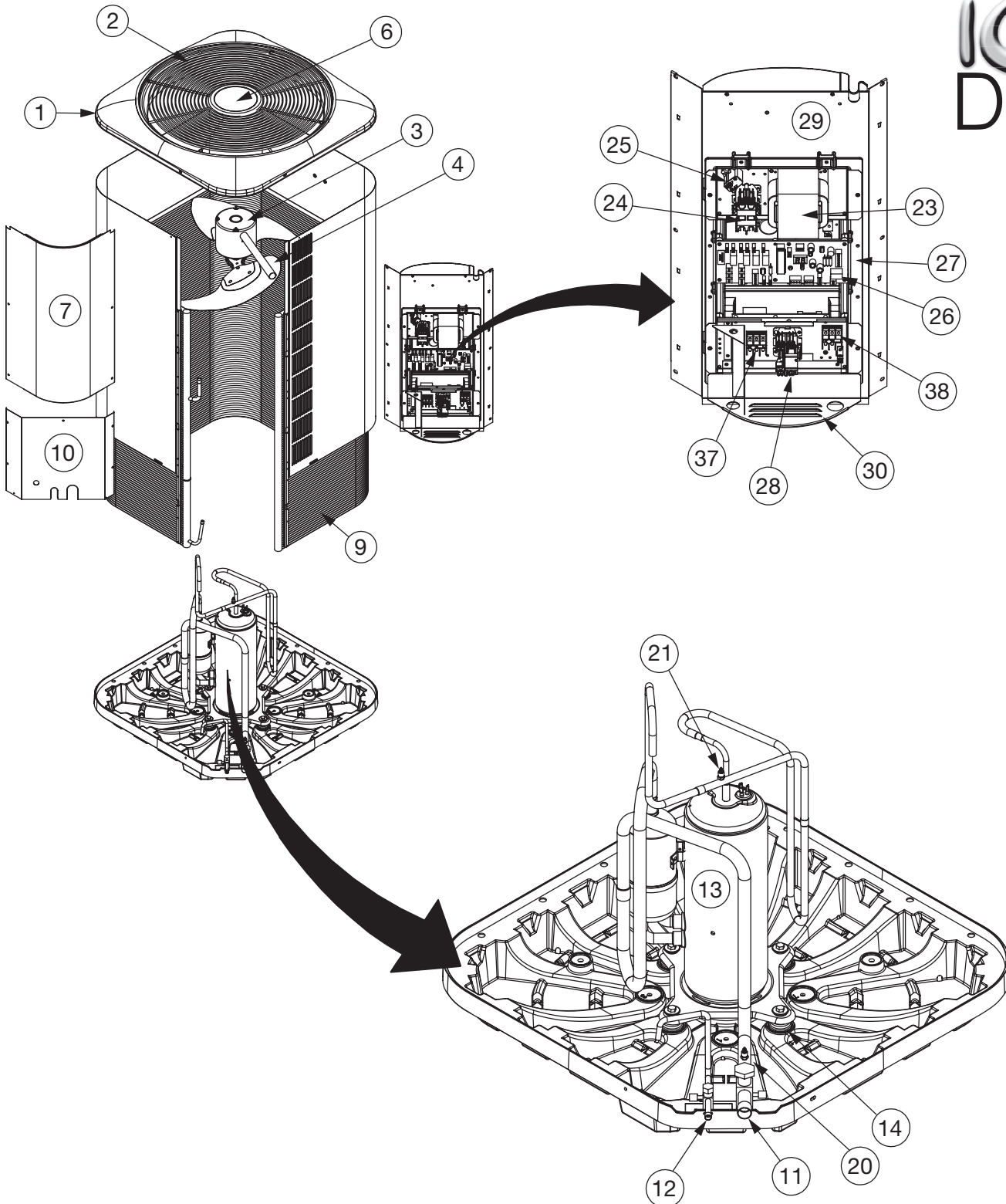


REPLACEMENT PARTS LIST

RESIDENTIAL SPLIT SYSTEM AIR CONDITIONER

PSA4BG SERIES

20 SEER MODELS



PSA4BG SERIES *iQDrive* RESIDENTIAL SPLIT SYSTEM AIR CONDITIONER

| ITEM | DESCRIPTION | PSA4BG024K | PSA4BG036K | PSA4BG048K | PSA4BG060K |
|------|--|--------------------------|--------------------------|--------------------------|--------------------------|
| 1 | TOP PAN | — | 284701R | 284701R | 284701R |
| 2 | FAN GRILLE | 669592 | 669591 | 669591 | 669591 |
| 3 | FAN MOTOR | 622718R | 622648R | 622648R | 1006720R |
| 4 | FAN BLADE | 667345 | 667351 | 667351 | 667351 |
| 6 | NUT, DOUBLE THICK | 606261 | 606261 | 606261 | 606261 |
| 7 | CONTROL PANEL COVER | 286630BR | 286630BR | 286630BR | 286630BR |
| 9 | OUTDOOR COIL (FORMED) | 1010332R | 1010330R | 1010331R | 1010331R |
| 10 | ACCESS PANEL | 2C1021BR | 2C1021BR | 2C1023BR | 2C1023BR |
| 11 | REFRIGERANT SERVICE VALVE, VAPOR | 663864 | 663865 | 663865 | 663865 |
| 12 | REFRIGERANT SERVICE VALVE, LIQUID | 663862 | 663862 | 663862 | 663862 |
| 13 | COMPRESSOR | 622515R | 622516R | 622517R | 622518R |
| 14 | GROMMET, COMPRESSOR MOUNT (INCLUDED WITH COMPRESSOR) | 669914 | 690304 | 690304 | 690304 |
| 16 | FAN MOTOR WIRE CONDUIT (NOT SHOWN) | 664292 | 664290 | 664290 | 664290 |
| 17 | FAN MOTOR POWER WIRE HARNESS (NOT SHOWN) | 634826 | 634826 | 634826 | 634826 |
| 18 | FAN MOTOR CONTROL WIRE HARNESS (NOT SHOWN) | 634827 | 634827 | 634827 | 634827 |
| 20 | LOW PRESSURE SWITCH | 632634 | 632634 | 632634 | 632634 |
| 21 | HIGH PRESSURE SWITCH | 632473 | 632473 | 632473 | 632473 |
| 22 | SOUND BLANKET, COMPRESSOR (NOT SHOWN) | 690526 | 690527 | 690527 | 690528 |
| 23 | INVERTER REACTOR (INCLUDED WITH INVERTER ASSY) | — | — | 624796 | 624797 |
| 24 | INVERTER RELAY (INCLUDED WITH INVERTER ASSY) | — | — | — | 624803 |
| 25 | INVERTER PTC RESISTOR (INCLUDED WITH INVERTER ASSY) | — | — | — | — |
| 26 | INTERFACE BOARD (INCLUDED WITH INVERTER ASSY) | 624834 | 624835 | 624836 | 624837 |
| 27 | INVERTER ASSEMBLY | 624822R | 624823R | 624824R | 624825R |
| 28 | CONTACTOR | 624827 | 624827 | 624827 | 1014865R |
| 29 | CONTROL PANEL (SHEET METAL ONLY) | 2C7711R | 2C1031R | 2C1031R | 2C1031R |
| 30 | FIELD CONNECTION BRACKET (SHEET METAL WITH LOUVERS) | 2C0991BR | 2C0991BR | 2C0991BR | 2C0991BR |
| 31 | TEMPERATURE SENSOR, AMBIENT (BLACK) (NOT SHOWN) | 624780 | 624780 | 624780 | 624780 |
| 32 | TEMPERATURE SENSOR, COMPRESSOR DISCHARGE (RED) (NOT SHOWN) | 624779 | 624779 | 624779 | 624779 |
| 33 | FIELD WIRING HARNESS (NOT SHOWN) | 2C7881R | 2C7881R | 2C7881R | 2C7881R |
| 34 | CONTROL POWER WIRE HARNESS (5-WIRE) (NOT SHOWN) | 2C3592R | 2C3592R | 2C3592R | 2C3592R |
| 35 | FILTER DRIER (NOT SHOWN) | 669764 | 669764 | 669764 | 669764 |
| 36 | BASE PAD, COMPRESSOR (NOT SHOWN) | 690608 | 689975 | 689975 | 689975 |
| 38 | TERMINAL BLOCK, FAN (INCLUDED WITH INVERTER ASSEMBLY) | — | — | — | — |

Please specify the correct Model No. , Serial No., and part number(s) when ordering parts from the nearest authorized Dealer or Service Center.

