

REPLACEMENT PARTS LIST

iHybrid[™] Dual Fuel Gas Heat Pump PDF2SF Series & PDF2SF -"A" Series 15 SEER Models



IMPORTANT

- This document is primarily intended to assist qualified individuals experienced in the proper repair or servicing of this appliance. Only factory authorized parts or accessory kits may be used with this product. Improper installation, service, adjustment, or maintenance may cause explosion, fire, electrical shock or other hazardous conditions which may result in personal injury or property damage.
- Some local codes require licensed installation / service personnel to service this type of equipment. Under no circumstances should the equipment owner attempt to install parts or service this equipment. Failure to comply with this warning could result in property damage, personal injury, or death.

**2 & 3 TON DUAL FUEL HEAT PUMP
(PDF2SF Series & PDF2SF – "A" Series)**

| ITEM | DESCRIPTION | 2 TON MODELS | | 3 TON MODELS | |
|------|---|--------------|------------|--------------|------------|
| | | X24K-072C | X24K-080CA | X36K-100C | X36K-100CA |
| | | 920986P | 920986PA | 920988P | 920988PA |
| 1 | ASSY, CAP, DUCT, HORIZONTAL (NOT SHOWN) | 283101BR | 283101BR | 283101BR | 283101BR |
| 2 | TOP PAN ASSY – LEFT | 293781BR | 293781BR | 293781BR | 293781BR |
| 3 | CORE, CHARGING PORT, STD FITTING (NOT SHOWN) | 662103 | 662103 | 662103 | 662103 |
| | CORE, CHARGING PORT, HI-FLOW (NOT SHOWN) | 664331 | 664331 | 664331 | 664331 |
| 4 | PANEL, HEAT EX. DIVIDER, 34" | D05072R | D05072R | – | – |
| | PANEL, HEAT EX. DIVIDER, 38" | – | – | D05075R | D05075R |
| 5 | BOTTOM PAN ASSY | D05480R | D05480R | D05480R | D05480R |
| 6 | RAIL, BASE, 47.23" LG | 277551 | 277551 | 277551 | 277551 |
| 7 | RAIL, BASE, 55.63" LG | 277552 | 277552 | 277552 | 277552 |
| 8 | DIVIDER PANEL ASSY, 34" | D05504R | D05504R | – | – |
| | DIVIDER PANEL ASSY, 38" | – | – | M0060722R | M0060722R |
| 9 | DUCT CAP ASSY | D05530R | D05530R | D05530R | D05530R |
| 10 | BLOWER PANEL ASSY, 34" | D05542BR | D05542BR | – | – |
| | BLOWER PANEL ASSY, 38" | – | – | D05543BR | D05543BR |
| 11 | ASSY, SRV PNL, INSULATED, 34" LOUVERED | 296638BR | 296638BR | – | – |
| | ASSY, SRV PNL, INSULATED, 38" LOUVERED | – | – | 296639BR | 296639BR |
| 12 | SUPPLY PANEL ASSY, 34" | D05552BR | D05552BR | – | – |
| | SUPPLY PANEL ASSY, 38" | – | – | D05557BR | D05557BR |
| 13 | RETURN PANEL ASSY, 34" | D05565BR | D05565BR | – | – |
| | RETURN PANEL ASSY, 38" | – | – | D05566BR | D05566BR |
| 14 | CORNER PANEL ASSY, 34" | D05628BR | D05628BR | – | – |
| | CORNER PANEL ASSY, 38" | – | – | D05629BR | D05629BR |
| 15 | ASSY, CLOSE-OFF PANEL, 34" | D05688R | D05688R | – | – |
| | ASSY, CLOSE-OFF PANEL, 38" | – | – | D05683R | D05683R |
| 16 | PAN, DRAIN | 669190 | 669190 | 669190 | 669190 |
| 17 | POST, CORNER, 34" | D09996BR | D09996BR | – | – |
| | POST, CORNER, 38" | – | – | D09997BR | D09997BR |
| 18 | PANEL, FRONT, 34" (MODELS PRODUCED BEFORE 2/1/11) | D12462BR | D12462BR | – | – |
| | PANEL, FRONT, 34" (MODELS PRODUCED AFTER 2/1/11) | – | 298892BR | – | – |
| | PANEL, FRONT, 38" | – | – | 298893BR | 298893BR |
| 19 | WRAPPER, BLWR, HSG, 9/10X10 | 297214R | 297214R | 297214R | 297214R |
| 20 | WHEEL, BLOWER 10 X 10 | 667207R | 667207R | 667207R | 667207R |
| 21 | MTR, VS, PROG, DF, 1/2HP, 14/15 SEER | M0034603R | – | – | – |
| | MTR, VS, PROG, DF, 1/2HP, 15 SEER, 2 STAGE | – | M0074348R | – | – |
| | MTR, VS, PROG, DF, 3/4HP, 14/15 SEER | – | – | M0034602R | – |
| | MTR, VS, PROG, DF, 3/4HP, 15 SEER, 2 STAGE | – | – | – | M0074349R |
| 22 | CONTACTOR | 624712 | 624712 | 624712 | 624712 |
| 23 | TRANSFORMER 40 VA | 622336 | 622336 | 622336 | 622336 |
| 24 | CAPAC, RUN 35 / 5 / 370-RND-MTL | 620762 | 620762 | – | – |
| | CAPAC, RUN 40 / 7.5 / 370-RND-MTL | – | – | 620888 | 620888 |
| 25 | IGNITION CONTROL, 2 STAGE | 903106 | – | 903106 | – |
| | IGNITION / BLOWER CONTROL, 2 STG, 2 SPD | – | 921378 | – | 921378 |
| 26 | PCB, VARIABLE SPEED INTERFACE, W/ HUMIDIFICATION | 624677 | N/A | 624677 | N/A |
| 27 | BOARD, DEMAND DEFROST W/ DELAY | 920806 | 920806 | 920806 | 920806 |
| 28 | DEMAND DEFROST SENSOR (NOT SHOWN) | 624740 | 624740 | 624740 | 624740 |
| 29 | PLUG, MOLDED, L, 2-STAGE (NOT SHOWN) | 634682 | 634682 | 634682 | 634682 |
| 30 | AMBIENT SENSOR (NOT SHOWN) | 296584BR | 296584BR | 296584BR | 296584BR |
| 31 | EXHAUST DUCT ASSY | 263420R | 263420R | 263420R | 263420R |
| 32 | TOUCH UP PAINT | 904038 | 904038 | 904038 | 904038 |
| 33 | INDUCER MOTOR, SINGLE SPEED, 230V | 903162 | – | 903162 | – |
| | INDUCER MOTOR, 2 SPD, 230V | – | 921379 | – | 921379 |

Please specify Model No., Serial No, and the correct part number(s) when ordering parts from the nearest authorized dealer or service center.

**2 & 3 TON DUAL FUEL HEAT PUMP
(PDF2SF Series & PDF2SF – "A" Series)**

| ITEM | DESCRIPTION | 2 TON MODELS | | 3 TON MODELS | |
|------|---|--------------|------------|--------------|------------|
| | | X24K-072C | X24K-080CA | X36K-100C | X36K-100CA |
| | | 920986P | 920986PA | 920988P | 920988PA |
| 34 | SWITCH, PRESSURE, NO., 1.00" W.C. | 632422 | – | 632422 | |
| | SWITCH, PRESSURE, DUAL, NO., .50"/.70"W.C. | – | 632555 | – | 632555 |
| 35 | GASKET, COLLECTOR PAN | 689506 | 689506 | 689506 | 689506 |
| 36 | GASKET, INDUCER MOTOR MOUNTING | 689518 | 689518 | 689518 | 689518 |
| 37 | HEAT EXCH. PANEL ASSY, 3 TUBE | 293331R | – | – | – |
| | HEAT EXCH. PANEL ASSY, 4 TUBE | – | M0002536R | – | – |
| | HEAT EXCH. PANEL ASSY, 5 TUBE | – | – | M0042504R | M0042504R |
| 38 | LIMIT SWITCH, MAIN AIR | 626423 | 626423 | 626446 | 626446 |
| 39 | PAN, COLLECTOR ASSY, 1.25" ORIFICE | – | D05766R | – | – |
| | PAN, COLLECTOR ASSY, 1.35" ORIFICE | D10329R | – | – | – |
| | PAN, COLLECTOR ASSY, 1.44" ORIFICE | – | – | – | M0074320R |
| | PAN, COLLECTOR ASSY, 1.50" ORIFICE | – | – | D10328R | – |
| 40 | BURNER ASSY, 2 STG VALVE, 3 TUBE | 293321R | – | – | – |
| | BURNER ASSY, 2 STG VALVE, 4 TUBE | – | M0034104R | – | – |
| | BURNER ASSY, 2 STG VALVE, 5 TUBE | – | – | 293323R | 293323R |
| 41 | BRACKET, EXT. SERV PT (MODELS PRODUCED BEFORE 2/1/11) | 269022BR | 269022BR | 298551BR | 298551BR |
| | BRACKET, EXT. SERV PT (MODELS PRODUCED AFTER 2/1/11) | | 298551BR | 298551BR | 298551BR |
| 42 | LIMIT SWITCH, 320° F FLAME ROLLOUT | 626547 | 626547 | 626547 | 626547 |
| 43 | SENSOR, FLAME | 632396 | 632396 | 632396 | 632396 |
| 44 | BURNER, INSHOT | 660812 | 660812 | 660812 | 660812 |
| 45 | REPL. HAIL GUARD KIT (NOT SHOWN) | 921213 | 921213 | 921213 | 921213 |
| 46 | ORIFICE, MAIN BURNER, #43 DRILL (NOT SHOWN) | 661043 | – | – | – |
| | ORIFICE, MAIN BURNER, #45 DRILL (NOT SHOWN) | – | 661045 | 661045 | 661045 |
| 47 | MANIFOLD, GAS, 3 BURNER | 664303 | – | – | – |
| | MANIFOLD, GAS, 4 BURNER | – | 664304 | – | – |
| | MANIFOLD, GAS, 5 BURNER | – | – | 664305 | 664305 |
| 48 | DRIER, FILTER, BIFLOW | 669762 | 669762 | 669762 | 669762 |
| 49 | COVER, VENT | 265040R | 265240R | 265040R | 265240R |
| 50 | PANEL, WEATHER | 263880 | 263880 | 263880 | 263880 |
| 51 | SUPPORT, COIL, 34" | 263394 | 263394 | – | – |
| | SUPPORT, COIL, 38" | – | – | 263395 | 263395 |
| 53 | STRAP, FILTER/DRIER | 258781 | 258781 | 258781 | 258781 |
| 54 | COIL, INDOOR | 283091R | 283091R | D06255R | D06255R |
| 55 | TXV, INDOOR | 664343 | 664343 | 664346 | 664346 |
| 56 | COMP, COPE, ZPS20K4E-PFV-230 | 920334 | 920334 | – | – |
| | COMP, COPE, ZPS30K4E-PFV-230 | – | – | 920335 | 920335 |
| 57 | SWITCH, HIGH PRESSURE (AUTO RESET)(NOT SHOWN) | 632401 | 632401 | 632401 | 632401 |
| 58 | SERVICE PORT - MODELS PRODUCED BEFORE 2/1/11 | 663728 | 663728 | 664393 | 664393 |
| | SERVICE PORT - MODELS PRODUCED AFTER 2/1/11 | – | 664393 | 664393 | 664393 |
| 59 | CORE, PORT, HI, FLOW, BRASS (NOT SHOWN) | 664331 | 664331 | 664331 | 664331 |
| 60 | GAS VALVE, 2-STAGE, NAT. GAS ONLY* | 921816 | 921816 | 921816 | 921816 |
| | GAS VALVE, 2-STAGE, w/ LP REGULATOR SPRINGS* | 921691 | 921691 | 921691 | 921691 |
| 61 | GROMMET, COMPRESSOR, SCROLL (NOT SHOWN) | 668530 | 668530 | 668530 | 668530 |
| 62 | COMPRESSOR SOUND BLANKET (NOT SHOWN) | 689792 | 689792 | 689792 | 689792 |
| 63 | COIL, OUTDOOR | D06262R | D06262R | 2B3941R | 2B3941R |
| 64 | ONE-PIECE TOP PAN | M0034710BR | M0034710BR | M0034710BR | M0034710BR |
| 65 | MOTOR, OUTDOOR FAN | 622171 | 622171 | 622468 | 622468 |

*Gas valve kit includes necessary wiring harness for field replacement of gas valve P/N 624652 where applicable.
Please specify Model No., Serial No, and the correct part number(s) when ordering parts from the nearest authorized dealer or service center.

**2 & 3 TON DUAL FUEL HEAT PUMP
(PDF2SF Series & PDF2SF – "A" Series)**

| ITEM | DESCRIPTION | 2 TON MODELS | | 3 TON MODELS | |
|------|----------------------------------|--------------|------------|--------------|------------|
| | | X24K-072C | X24K-080CA | X36K-100C | X36K-100CA |
| | | 920986P | 920986PA | 920988P | 920988PA |
| 66 | FAN, BLADE | 667357 | 667357 | 667351 | 667351 |
| 67 | FAN, GRILLE, 24" | 669335 | 669335 | 669335 | 669335 |
| 68 | BRACKET, AMBIENT (NOT SHOWN) | 296585BR | 296585BR | 296585BR | 296585BR |
| 69 | GUARD, COIL (FORMED) | 2A8453R | 2A8453R | 2A8454R | 2A8454R |
| 70 | COMPRESSOR BOLTS (NOT SHOWN) | 600400 | 600400 | 600400 | 600400 |
| 71 | IGNITOR | 903179 | 903179 | 903179 | 903179 |
| 72 | PANEL, BLOWER DISCHARGE, 34" | 281493 | 281493 | – | – |
| | PANEL, BLOWER DISCHARGE, 38" | – | – | 281494 | 281494 |
| 73 | BLOWER SHELF | 283932 | 283932 | 283932 | 283932 |
| 74 | DIVIDER PANEL BRACKET | 2B1891 | 2B1891 | 2B1891 | 2B1891 |
| 75 | CHANNEL, DRAIN | 279722R | 279722R | 279722R | 279722R |
| 76 | RAIN SHIELD | 2B1701 | 2B1701 | 2B1701 | 2B1701 |
| 77 | ACCESS FITTING | 663812 | 663812 | 663812 | 663812 |
| 78 | COVER, HEADER, 34" | M0034205R | M0034205R | – | – |
| | COVER, HEADER, 38" | – | – | M0034214R | M0034214R |
| 79 | DOOR, ACCESS, 34" | 296633R | – | – | – |
| | DOOR, ACCESS, 38" | – | 296648R | – | – |
| | DOOR, ACCESS, 42" | – | – | M0034208R | – |
| | DOOR, ACCESS, 42" | – | – | – | M0034216R |
| 80 | TXV, OUTDOOR | 664344 | 664344 | 664348 | 664348 |
| 81 | MOLDED PLUG (NOT SHOWN) | – | – | – | 634715 |
| 82 | SWITCH, LOW PRESSURE (NOT SHOWN) | 632393 | 632393 | 632393 | 632393 |
| 83 | TOP PAN - RIGHT | M0034710R | M0034710R | M0034710R | M0034710R |
| 84 | CONTROL BRACKET | 298591 | 298591 | 298591 | 298591 |
| 85 | COMFORT ALERT | 624651 | 624651 | 624651 | 624651 |
| 86 | TERMINAL BOARD, LOW VOLTAGE | 632475 | 632475 | 632475 | 632475 |
| 87 | DROP-IN ORIFICE | 295481BR | 295481BR | 295481BR | 295481BR |
| 88 | REVERSING VALVE (NOT SHOWN) | 669465 | 669465 | – | – |
| 89 | REVERSING VALVE COIL (NOT SHOWN) | 669472 | 669472 | – | – |
| 90 | REVERSING VALVE KIT (NOT SHOWN) | – | – | M0079101R | M0079101R |

Please specify Model No., Serial No, and the correct part number(s) when ordering parts from the nearest authorized dealer or service center.

**4 & 5 TON DUAL FUEL HEAT PUMP
(PDF2SF Series & PDF2SF – "A" Series)**

| ITEM | DESCRIPTION | 4 TON MODELS | | 5 TON MODELS | |
|------|--|--------------|------------|--------------|------------|
| | | X48K-120C | X48K-120CA | X60K-120C | X60K-120CA |
| | | 920990P | 920990PA | 920992P | 920992PA |
| 1 | ASSY, CAP, DUCT, HORIZONTAL (NOT SHOWN) | 283101BR | 283101BR | 283101BR | 283101BR |
| 2 | TOP PAN ASSY – LEFT | 293781BR | 293781BR | 293781BR | 293781BR |
| 3 | CORE, CHARGING PORT, STD FITTING (NOT SHOWN) | 662103 | 662103 | 662103 | 662103 |
| | CORE, CHARGING PORT, HI-FLOW (NOT SHOWN) | 664331 | 664331 | 664331 | 664331 |
| 4 | PANEL, HEAT EX. DIVIDER, 42" | D05074R | D05074R | D05074R | D05074R |
| 5 | BOTTOM PAN ASSY | D05480R | D05480R | – | – |
| | BOTTOM PAN ASSY EXT | – | – | D05481R | D05481R |
| 6 | RAIL, BASE, 47.23" LG | 277551 | 277551 | 277551 | 277551 |
| 7 | RAIL, BASE, 55.63" LG | 277552 | 277552 | 277552 | 277552 |
| 8 | DIVIDER PANEL ASSY, 42" | M0060704R | M0060704R | M0060704R | M0060704R |
| 9 | DUCT CAP ASSY | D05530R | D05530R | D05530R | D05530R |
| 10 | BLOWER PANEL ASSY, 42" | M0060714BR | M0060714BR | M0060714BR | M0060714BR |
| 11 | ASSY, SRV PNL, INSULATED, 42" LOUVERED | D05547BR | D05547BR | D05547BR | D05547BR |
| 12 | SUPPLY PANEL ASSY, 42" | M0060715R | M0060715R | M0060715R | M0060715R |
| 13 | RETURN PANEL ASSY, 42" | M0060716BR | M0060716BR | M0060716BR | M0060716BR |
| 14 | CORNER PANEL ASSY, 42" | M0060717R | M0060717R | M0060717R | M0060717R |
| 15 | ASSY, CLOSE-OFF PANEL, 42" | M0060710R | M0060710R | M0060710R | M0060710R |
| 16 | PAN, DRAIN | 669190 | 669190 | 669190 | 669190 |
| 17 | POST, CORNER, 42" | 2B1941BR | 2B1941BR | 2B1941BR | 2B1941BR |
| 18 | PANEL, FRONT, 42" | 298894BR | 298894BR | 298894BR | 298894BR |
| 19 | WRAPPER, BLWR, HSG, 11X10 | 297219R | 297219R | 297219R | 297219R |
| 20 | WHEEL, BLOWER 11X10 | 667260R | 667260R | 667260R | 667260R |
| 21 | MTR, VS, PROG, DF, 1HP, 14/15 SEER | M0034601R | – | M0034601R | – |
| | MTR, VS, PROG, DF, 1HP, 15 SEER, 2 STAGE | – | M0074398R | – | M0074398R |
| 22 | CONTACTOR | 624713 | 624713 | 624713 | 624713 |
| 23 | TRANSFORMER 40 VA | 622336 | 622336 | 622336 | 622336 |
| 24 | CAPAC, RUN 45 / 7.5 / 370-RND-MTL | 621153 | 621153 | – | – |
| | CAPAC, RUN 80 / 7.5 / 370-RND-MTL | – | – | 621717 | 621717 |
| 25 | IGNITION CONTROL, 2 STAGE | 903106 | – | 903106 | – |
| | IGNITION / BLOWER CONTROL, 2 STG, 2 SPD | – | 921378 | – | 921378 |
| 26 | PCB, VARIABLE SPEED INTERFACE, W/ HUMIDIFICATION | 624677 | N/A | 624677 | N/A |
| 27 | BOARD, DEMAND DEFROST W/ DELAY | 920806 | 920806 | 920806 | 920806 |
| 28 | DEMAND DEFROST SENSOR (NOT SHOWN) | 624740 | 624740 | 624740 | 624740 |
| 29 | PLUG, MOLDED, L, 2-STAGE (NOT SHOWN) | 634682 | 634682 | 634682 | 634682 |
| 30 | AMBIENT SENSOR (NOT SHOWN) | 296584BR | 296584BR | 296584BR | 296584BR |
| 31 | EXHAUST DUCT ASSY | 263420R | 263420R | 263420R | 263420R |
| 32 | TOUCH UP PAINT | 904038 | 904038 | 904038 | 904038 |
| 33 | INDUCER MOTOR, SINGLE SPEED, 230V | 903162 | – | 903162 | – |
| | INDUCER MOTOR, 2 SPD, 230V | – | 921379 | – | 921379 |
| 34 | SWITCH, PRESSURE, NO, 1.00" W.C. | 632422 | – | 632422 | – |
| | SWITCH, PRESSURE, DUAL, NO., .50"/.70"W.C. | – | 632555 | – | 632555 |
| 35 | GASKET, COLLECTOR PAN | 689506 | 689506 | 689506 | 689506 |
| 36 | GASKET, INDUCER MOTOR MOUNTING | 689518 | 689518 | 689518 | 689518 |
| 37 | HEAT EXCH. PANEL ASSY, 5 TUBE | M0042501R | M0042501R | M0042501R | M0042501R |
| 38 | SWITCH, LIMIT | 626432 | 626432 | 626432 | 626432 |
| 39 | PAN, COLLECTOR ASSY, 1.69" ORIFICE | – | M0074321R | – | M0074321R |
| | PAN, COLLECTOR ASSY, 1.88" ORIFICE | D10324R | – | D10324R | – |
| 40 | BURNER ASSY, 2 STG VALVE, 5 TUBE | 293322R | 293322R | 293322R | 293322R |
| 41 | BRACKET, EXT. SERV PT, HI-FLOW | 298551BR | 298551BR | 298551BR | 298551BR |
| 42 | LIMIT SWITCH, 320° F FLAME ROLLOUT | 626547 | 626547 | 626547 | 626547 |

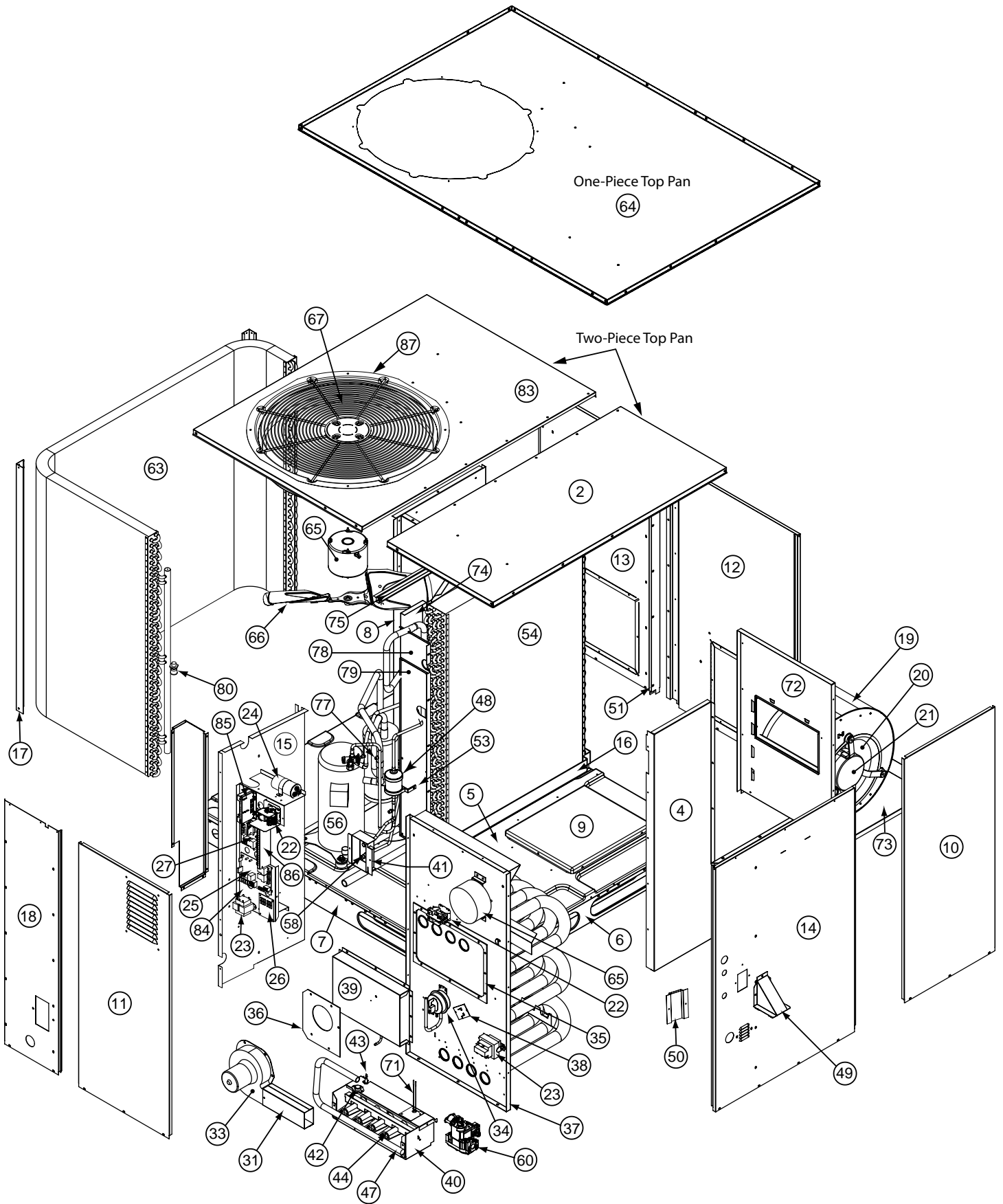
Please specify Model No., Serial No., and the correct part number(s) when ordering parts from the nearest authorized dealer or service center.

**4 & 5 TON DUAL FUEL HEAT PUMP
(PDF2SF Series & PDF2SF – "A" Series)**

| ITEM | DESCRIPTION | 4 TON MODELS | | 5 TON MODELS | |
|------|---|--------------|------------|--------------|------------|
| | | X48K-120C | X48K-120CA | X60K-120C | X60K-120CA |
| | | 920990P | 920990PA | 920992P | 920992PA |
| 43 | SENSOR, FLAME | 632396 | 632396 | 632396 | 632396 |
| 44 | BURNER, INSHOT | 660812 | 660812 | 660812 | 660812 |
| 45 | REPL. HAIL GUARD KIT (NOT SHOWN) | 921213 | 921213 | 921213 | 921213 |
| 46 | ORIFICE, MAIN BURNER, #43 DRILL (NOT SHOWN) | 661043 | 661043 | 661043 | 661043 |
| 47 | MANIFOLD, GAS, 5 BURNER | 664305 | 664305 | 664305 | 664305 |
| 48 | DRIER, FILTER, BIFLOW | 669762 | 669762 | 669762 | 669762 |
| 49 | COVER, VENT | 265040R | 265240R | 265040R | 265240R |
| 50 | PANEL, WEATHER | 263880 | 263880 | 263880 | 263880 |
| 51 | SUPPORT, COIL, 42" | 263396 | 263396 | 263396 | 263396 |
| 53 | STRAP, FILTER/DRIER | 258780 | 258780 | 258780 | 258780 |
| 54 | COIL, INDOOR | 2B3721R | 2B3721R | 2B4001R | 2B4001R |
| 55 | TXV, INDOOR | 664350 | 664350 | 664275 | 664275 |
| 56 | COMP, COPE, ZPS40K4E-PFV-230 | 920336 | 920336 | - | - |
| | COMP, COPE, ZPS49K4E-PFV-230 | - | - | 920337 | 920337 |
| 57 | SWITCH, HIGH PRESSURE (AUTO RESET)(NOT SHOWN) | 632401 | 632401 | 632401 | 632401 |
| 58 | SERVICE PORT | 664393 | 664393 | 664393 | 664393 |
| 59 | CORE, PORT, HI, FLOW, BRASS (NOT SHOWN) | 664331 | 664331 | 664331 | 664331 |
| 60 | GAS VALVE, 2-STAGE, NAT. GAS ONLY* | 921816 | 921816 | 921816 | 921816 |
| | GAS VALVE, 2-STAGE, w/ LP REGULATOR SPRINGS* | 921691 | 921691 | 921691 | 921691 |
| 61 | GROMMET, COMPRESSOR, SCROLL (NOT SHOWN) | 668530 | 668530 | 668530 | 668530 |
| 62 | COMPRESSOR SOUND BLANKET (NOT SHOWN) | 689792 | 689792 | 689793 | 689793 |
| 63 | COIL, OUTDOOR | 2B3711R | 2B3711R | 2B5011R | 2B5011R |
| 64 | ONE-PIECE TOP PAN | M0034710BR | M0034710BR | M0034716BR | M0034716BR |
| 65 | MOTOR, OUTDOOR FAN | 622468 | 622468 | 621990 | 621990 |
| 66 | FAN, BLADE | 667351 | 667351 | 667351 | 667351 |
| 67 | FAN, GRILLE, 24" | 669335 | 669335 | 669335 | 669335 |
| 68 | BRACKET, AMBIENT (NOT SHOWN) | 296585BR | 296585BR | 296585BR | 296585BR |
| 69 | GUARD, COIL (FORMED) | 2B4611R | 2B4611R | 2B4871R | 2B4871R |
| 70 | COMPRESSOR BOLTS (NOT SHOWN) | 600400 | 600400 | 600400 | 600400 |
| 71 | IGNITOR | 903179 | 903179 | 903179 | 903179 |
| 72 | PANEL, BLOWER DISCHARGE, 42" | 281495 | 281495 | 281495 | 281495 |
| 73 | BLOWER SHELF | 283932 | 283932 | 283932 | 283932 |
| 74 | DIVIDER PANEL BRACKET | 2B1891 | 2B1891 | 2B1891 | 2B1891 |
| 75 | CHANNEL, DRAIN | 279722R | 279722R | 279722R | 279722R |
| 76 | RAIN SHIELD | 2B1701 | 2B1701 | 2B1701 | 2B1701 |
| 77 | ACCESS FITTING | 663812 | 663812 | 663812 | 663812 |
| 78 | COVER, HEADER, 42" | M0034209R | M0034209R | M0034209R | M0034209R |
| 79 | DOOR, ACCESS, 34" | 296633R | - | - | - |
| | DOOR, ACCESS, 38" | - | 296648R | - | - |
| | DOOR, ACCESS, 42" | - | - | M0034208R | - |
| | DOOR, ACCESS, 42" | - | - | - | M0034216R |
| 80 | TXV, OUTDOOR | 664344 | 664344 | 664348 | 664348 |
| 81 | MOLDED PLUG (NOT SHOWN) | - | - | - | 634715 |
| 82 | SWITCH, LOW PRESSURE (NOT SHOWN) | 632393 | 632393 | 632393 | 632393 |
| 83 | TOP PAN - RIGHT | M0034710R | M0034710R | M0034716R | M0034716R |
| 84 | CONTROL BRACKET | 298591 | 298591 | 298591 | 298591 |
| 85 | COMFORT ALERT | 624651 | 624651 | 624651 | 624651 |
| 86 | TERMINAL BOARD, LOW VOLTAGE | 632475 | 632475 | 632475 | 632475 |
| 87 | DROP-IN ORIFICE | 295481BR | 295481BR | 295481BR | 295481BR |
| 88 | REVERSING VALVE KIT (NOT SHOWN) | M0079101R | M0079101R | M0079101R | M0079101R |

*Gas valve kit includes necessary wiring harness for field replacement of gas valve P/N 624652 where applicable.

Please specify Model No., Serial No., and the correct part number(s) when ordering parts from the nearest authorized dealer or service center.



NORDYNE
COMPLETE COMFORT. GENUINE VALUE.

Specifications & illustrations subject to change without notice or incurring obligations.
O' Fallon, MO | Printed in U.S.A. (12/11)



709171D (Replaces 709171C)