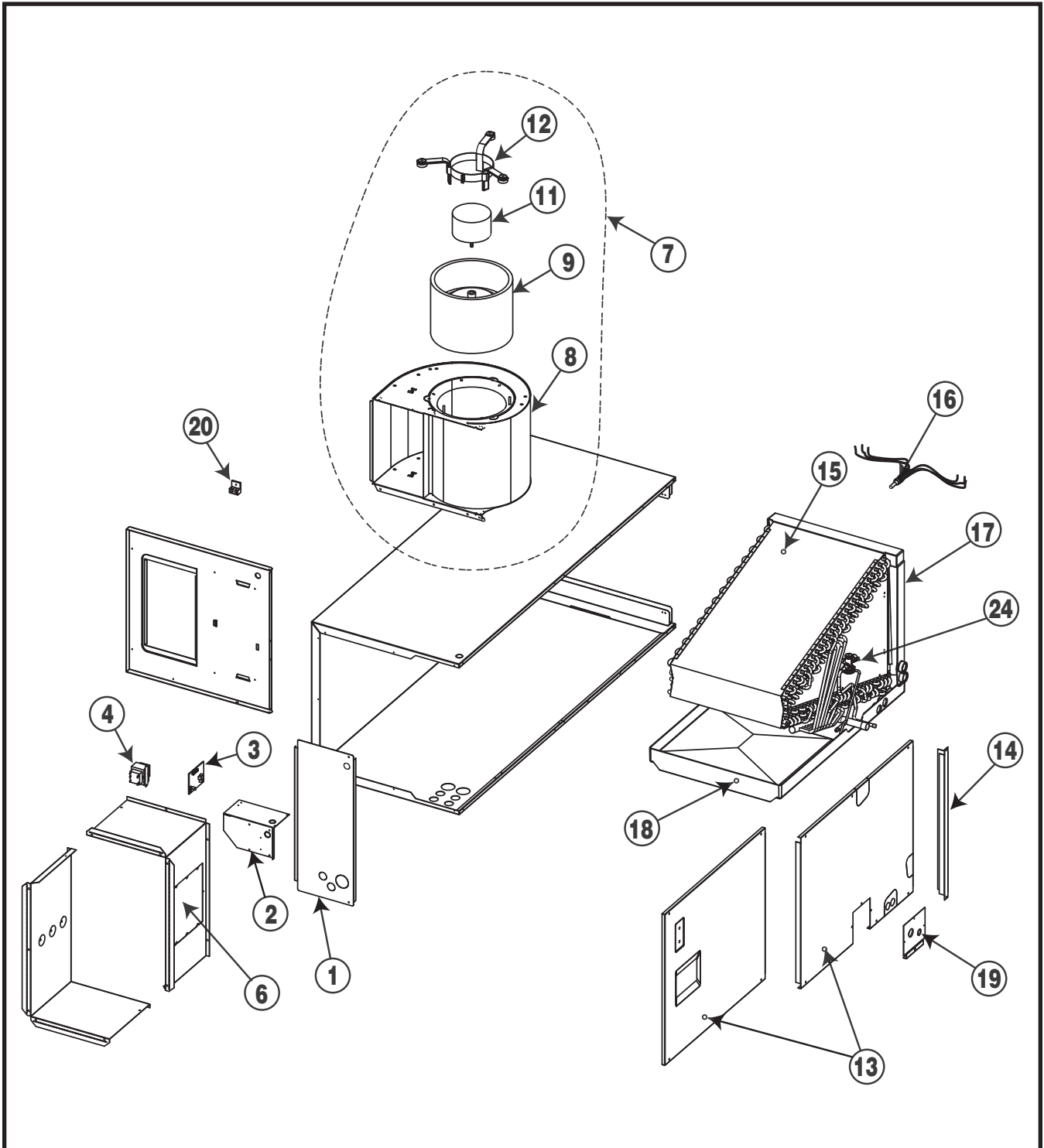


# REPLACEMENT PARTS LIST

## Indoor Air Handler PAH2BM / PAH2VM series



## PAH2BM Series Multi-Poise Air Handler

ITEM	DESCRIPTION	024KA	024KB	025KA	025KB	030KA	030KB	036KB	037KB	042KB	048KC	049KC	060KC
1	Top Cap Assy	281951R	281963R	281951R	281963R	281951R	281963R	281963R	281963R	281963R	281964R	281964R	281964R
2	Electrical Panel	M0023201R	M0023201R	M0023201R	M0023201R	M0023201R	M0023201R	M0023201R	M0023201R	M0023201R	M0023205R	M0023205R	M0023205R
3	Electrical Panel Eff. June 2006	904531	904531	904531	904531	904531	904531	904531	904531	904531	904532	904532	904532
4	Control Board	—	—	—	—	—	—	—	—	—	904531	904531	—
5	Control Board Eff. June 2006	—	—	—	—	—	—	—	—	—	904531	904531	—
6	Transformer	622336	622336	622336	622336	622336	622336	622336	622336	622336	622336	622336	622336
7	Plate, Element Close-Off	226420	226420	226420	226420	226420	226420	226420	226420	226420	226420	226420	226420
8	Complete Blower Assy	904533	904535	904533	904535	904534	904536	904536	904536	904579	904538	904538	904538
9	Complete Blower Assy Eff. June 2006	—	—	—	—	—	—	—	—	—	904537	904537	—
10	Blower Housing	D07481R	D07482R	D07481R	D07482R	D07481R	D07482R	D07482R	D07482R	D07482R	D07484R	D07484R	D07484R
11	Blower Housing Eff. June 2006	—	—	—	—	—	—	—	—	—	D07483R	D07483R	—
12	Blower Wheel	667251	667037	667251	667037	667251	667037	667037	667037	667037	667280	667280	667280
13	Blower Wheel Eff. June 2006	—	—	—	—	—	—	—	—	—	667207	667207	—
14	Motor, Blower	622257	622257	622257	622257	622264	622258	622258	622258	622260	M0021808R	M0021808R	M0021808R
15	Motor, Blower Eff. June 2006	—	—	—	—	—	—	—	—	—	622261	622261	—
16	Kit, Motor Mount	921391	921391	921391	921391	921391	921391	921391	921391	921391	903489	903489	903489
17	Kit, Motor Mount Eff. June 2006	—	—	—	—	—	—	—	—	—	921391	921391	—
18	Door Set	904557	904558	904557	904558	904557	904558	904558	904558	904559	904560	904560	904560
19	Filter Door	299944SR	299945SR	299944SR	299945SR	299944SR	299945SR	299945SR	299945SR	299945SR	299946SR	299946SR	299946SR
20	Replacement Coil (Restrictor change may be needed)	921298	921299	921298	921299	921298	921299	921299	921300	921300	921301	921302	921302
21	Distributor Assy	664195	664196	664197	664198	664200	664201	664203	664203	664205	664207	664207	664209
22	Distributor Assy Eff. Sept. 2006	—	—	—	—	—	—	—	—	—	—	664288	—
23	Drain Pan, Vertical	669919	669920	669919	669920	669919	669920	669920	669920	669920	669921	669921	669921
24	Horizontal Drain Pan Only	669855	669855	669855	669855	669855	669855	669855	669856	669856	669857	669857	669857
25	Close-Off	295471SR	295471SR	295471SR	295471R	295471SR	295471SR	295471SR	295471SR	295471SR	295471SR	295471SR	295471SR
26	Ground Lug	632235	632235	632235	632235	632235	632235	632235	632235	632235	632235	632235	632235
27	Fuse, 5 AMP (Not Shown)	632269	632269	632269	632269	632269	632269	632269	632269	632269	632269	632269	632269
28	Capacitor, Blwr Mtr (Not Shown)	622535	622535	622535	622535	622550	622545	622545	622545	622545	Not Used	Not Used	Not Used
29	Capacitor, Blwr Mtr Eff. June 2006	—	—	—	—	—	—	—	—	—	622549	622549	—
30	Coil Support Rod (Not Shown)	669100	669100	669100	669100	669100	669100	669100	669100	669100	669100	669100	669100
31	Plug, Drain Pan (Not Shown)	663351	663351	663351	663351	663351	663351	663351	663351	663351	663351	663351	663351
32	Set of Wires (Not Shown)	286801R	286801R	286801R	286801R	286801R	286801R	286801R	286801R	286801R	286803R	286803R	286803R
33	Set of Wires (Not Shown) Eff. June 2006	—	—	—	—	—	—	—	—	—	286801R	286801R	—

Please specify Model No., Serial No, and the correct part number(s) when ordering parts from the nearest authorized dealer or service center.

## PAH2BM-T Series Multi-Poise Air Handler

ITEM	DESCRIPTION	T24KA	T24KB	T25KA	T25KB	T30KA	T30KB	T36KB	T37KB	T42KB	T48KC	T49KC	T60KC
1	Top Cap Assy	281951R	281963R	281951R	281963R	281951R	281963R	281963R	281963R	281963R	281964R	281964R	281964R
2	Electrical Panel	M0023201R	M0023201R	M0023201R	M0023201R	M0023201R	M0023201R	M0023201R	M0023201R	M0023201R	M0023205R	M0023205R	M0023205R
3	Electrical Panel Eff. June 2006	—	—	—	—	—	—	—	—	—	M0023201R	M0023201R	—
4	Control Board	904531	904531	904531	904531	904531	904531	904531	904531	904531	904531	904531	904532
6	Transformer	622336	622336	622336	622336	622336	622336	622336	622336	622336	622336	622336	622336
7	Plate, Element Close-Off	226420	226420	226420	226420	226420	226420	226420	226420	226420	226420	226420	226420
8	Complete Blower Assy	904533	904535	904533	904535	904534	904536	904536	904536	904579	904538	904538	904539
9	Complete Blower Assy Eff. June 2006	—	—	—	—	—	—	—	—	—	904537	904537	—
10	Blower Housing	D07481R	D07482R	D07481R	D07482R	D07481R	D07482R	D07482R	D07482R	D07482R	D07484R	D07484R	D07484R
11	Blower Housing Eff. June 2006	—	—	—	—	—	—	—	—	—	D07483R	D07483R	—
12	Blower Wheel	667251	667037	667251	667037	667251	667037	667037	667037	667037	667280	667280	667280
13	Blower Wheel Eff. June 2006	—	—	—	—	—	—	—	—	—	667207	667207	—
14	Motor, Blower	622257	622257	622257	622257	622264	622258	622258	622258	622260	M0021808R	M0021808R	M0021808R
15	Motor, Blower Eff. June 2006	—	—	—	—	—	—	—	—	—	622261	622261	—
16	Kit, Motor Mount	921391	921391	921391	921391	921391	921391	921391	921391	921391	903489	903489	903489
17	Kit, Motor Mount Eff. June 2006	—	—	—	—	—	—	—	—	—	921391	921391	—
18	Door Set	904557	904558	904557	904558	904557	904558	904558	904558	904559	904560	904560	904560
19	Filter Door	299944SR	299945SR	299944SR	299945SR	299944SR	299945SR	299945SR	299945SR	299945SR	299946SR	299946SR	299946SR
20	Replacement Coil	921298	921299	921298	921299	921298	921299	921299	921300	921300	921302	921302	921302
21	TXV Kit (For Replacement coil)	920662A	920662A	920662A	920662A	920663A	920664A	920664A	920664A	920665A	920666A	920666A	920667A
22	Liquid Tube Kit (For Replacement coil)	921287	921288	921287	921288	921287	921288	921288	921289	921289	921290	921291	921291
23	Distributor Assy	664256	663830	664256	663830	664257	664219	664219	664219	664219	663583	663583	663586
24	Distributor Assy Eff. Sept 2006	—	—	—	—	—	—	—	—	—	—	663586	—
25	Drain Pan, Vertical	669919	669920	669919	669920	669919	669920	669920	669920	669920	669921	669921	669921
26	Horizontal Drain Pan Only	669855	669855	669855	669855	669855	669855	669855	669855	669855	669857	669857	669857
27	Close-Off	295471SR	295471SR	295471SR	295471SR	295471SR	295471SR	295471SR	295471SR	295471SR	295471SR	295471SR	295471SR
28	Ground Lug	632235	632235	632235	632235	632235	632235	632235	632235	632235	632235	632235	632235
29	TXV Assy	669550	669550	669550	669550	669552	669552	669553	669553	669554	669555	669555	669556
30	Fuse, 5 AMP (Not Shown)	632269	632269	632269	632269	632269	632269	632269	632269	632269	632269	632269	632269
31	Capacitor, Blwr Mtr (Not Shown)	622535	622535	622535	622535	622550	622545	622545	622545	622545	Not Used	Not Used	Not Used
32	Capacitor, Blwr Mtr Eff. June 2006	—	—	—	—	—	—	—	—	—	622549	622549	—
33	Coil Support Rod (Not Shown)	669100	669100	669100	669100	669100	669100	669100	669100	669100	669100	669100	669100
34	Plug, Drain Pan (Not Shown)	663351	663351	663351	663351	663351	663351	663351	663351	663351	663351	663351	663351
35	Set of Wires (Not Shown)	286801R	286801R	286801R	286801R	286801R	286801R	286801R	286801R	286801R	286803R	286803R	286803R
36	Set of Wires Eff. June 2006	—	—	—	—	—	—	—	—	—	286801R	286801R	—

Please specify Model No., Serial No, and the correct part number(s) when ordering parts from the nearest authorized dealer or service center.

## PAH2BM-X Series Multi-Poise Air Handler

ITEM	DESCRIPTION	X24KA	X24KB	X25KA	X25KB	X30KA	X30KB	X36KA	X36KB	X37KB	X42KB	X48KB	X48KC	X49KC	X60KC
1	Top Cap Assy	281951R M0023201R	281963R M0023201R	281951R M0023201R	281963R M0023201R	281951R M0023201R	281963R M0023201R	281951R M0023201R	281963R M0023201R	281963R M0023201R	281963R M0023201R	281964R M0023205R	281964R M0023205R	281964R M0023205R	281964R M0023205R
2	Electrical Panel Eff. June 2006	—	—	—	—	—	—	—	—	—	—	—	—	—	—
3	Control Board	904531	904531	904531	904531	904531	904531	904531	904531	904531	904531	904531	904531	904531	904532
4	Transformer	622336	622336	622336	622336	622336	622336	622336	622336	622336	622336	622336	622336	622336	622336
6	Plate, Element Close-Off	226420	226420	226420	226420	226420	226420	226420	226420	226420	226420	226420	226420	226420	226420
	Complete Blower Assy	904533	904535	904533	904535	904534	904536	904534	904536	904536	904579	904538	904538	904538	904539
7	Complete Blower Assy Eff. June 2006	—	—	—	—	—	—	—	—	—	—	—	904537	904537	—
8	Blower Housing	D07481R	D07482R	D07481R	D07482R	D07481R	D07482R	D07481R	D07482R	D07482R	D07482R	D07482R	D07484R	D07484R	D07484R
	Blower Housing Eff. June 2006	—	—	—	—	—	—	—	—	—	—	—	D07483R	D07483R	—
9	Blower Wheel	667251	667037	667251	667037	667251	667037	667251	667037	667037	667037	667280	667280	667280	667280
	Blower Wheel Eff. June 2006	—	—	—	—	—	—	—	—	—	—	—	667207	667207	—
11	Motor, Blower	622257	622257	622257	622257	622264	622258	622264	622258	622258	622260	622260	M0021808R	M0021808R	M0021808R
	Motor, Blower Eff. June 2006	—	—	—	—	—	—	—	—	—	—	—	622261	622261	—
12	Kit, Motor Mount	921391	921391	921391	921391	921391	921391	921391	921391	921391	921391	921391	903489	903489	903489
	Kit, Motor Mount Eff. June 2006	—	—	—	—	—	—	—	—	—	—	—	921391	921391	—
13	Door Set	904557	904558	904557	904558	904557	904558	904557	904558	904558	904559	904560	904560	904560	904560
14	Filter Door	299944SR	299945SR	299944SR	299945SR	299944SR	299945SR	299944SR	299945SR	299945SR	299945SR	299946SR	299946SR	299946SR	299946SR
	Replacement Coil	921298	921299	921298	921299	921298	921299	921298	921299	921300	921300	921300	921302	921302	921302
15	TXV Kit (For Replacement coil)	920668A	920668A	920668A	920668A	920669A	920669A	920670A	920669A	920670A	920671A	920672A	920672A	920672A	920673A
	Liquid Tube Kit (For Replacement coil)	921287	921288	921287	921288	921287	921288	921287	921288	921288	921289	921289	921290	921291	921291
16	Distributor Assy	664256	663830	664256	663830	664257	664219	664257	664219	664219	664219	664219	663583	663583	663586
	Distributor Assy Eff. Sept 2006	—	—	—	—	—	—	—	—	—	—	—	—	663586	—
17	Drain Pan, Vertical	669919	669920	669919	669920	669919	669920	669919	669920	669920	669920	669920	669921	669921	669921
18	Horizontal Drain Pan Only	669855	669855	669855	669855	669855	669855	669855	669855	669856	669856	669857	669857	669857	669857
19	Close-Off	295471SR	295471SR	295471SR	295471SR	295471SR	295471SR	295471SR	295471SR	295471SR	295471SR	295471SR	295471SR	295471SR	295471SR
20	Ground Lug	632235	632235	632235	632235	632235	632235	632235	632235	632235	632235	632235	632235	632235	632235
24	TXV Assy	669564	669564	669564	669564	669565	669565	669565	669566	669567	669567	669568	669568	669568	669578
	Fuse, 5 AMP (Not Shown)	632269	632269	632269	632269	632269	632269	632269	632269	632269	632269	632269	632269	632269	632269
	Capacitor, Blwr Mtr (Not Shown)	622535	622535	622535	622535	622550	622545	622550	622545	622545	622545	622545	Not Used	Not Used	Not Used
	Capacitor, Blwr Mtr Eff. June 2006	—	—	—	—	—	—	—	—	—	—	—	622549	622549	—
	Coil Support Rod (Not Shown)	669100	669100	669100	669100	669100	669100	669100	669100	669100	669100	669100	669100	669100	669100
	Plug, Drain Pan (Not Shown)	663351	663351	663351	663351	663351	663351	663351	663351	663351	663351	663351	663351	663351	663351
	Set of Wires (Not Shown)	286801R	286801R	286801R	286801R	286801R	286801R	286801R	286801R	286801R	286801R	286801R	286803R	286803R	286803R
	Set of Wires Eff. June 2006	—	—	—	—	—	—	—	—	—	—	—	286801R	286801R	—

Please specify Model No., Serial No, and the correct part number(s) when ordering parts from the nearest authorized dealer or service center.

## PAH2VM Series Multi-Poise Air Handler

ITEM	DESCRIPTION	024KA	024KB	025KA	025KB	030KA	030KB	036KB	037KB	042KB	048KC	049KC	060KC
1	Top Cap Assy	281951R	281963R	281951R	281963R	281963R	281963R	281963R	281963R	281963R	281964R	281964R	281964R
2	Electrical Panel	M0023203R	M0023203R	M0023203R	M0023203R	M0023203R	M0023203R	M0023203R	M0023203R	M0023203R	M0023203R	M0023203R	M0023203R
3	Control Board	904531	904531	904531	904531	904531	904531	904531	904531	904531	904531	904531	904531
4	Transformer	622336	622336	622336	622336	622336	622336	622336	622336	622336	622336	622336	622336
6	Plate, Element Close-Off	226420	226420	226420	226420	226420	226420	226420	226420	226420	226420	226420	226420
7	Complete Blower Assy	904539	904540	904539	904540	904539	904540	904540	904540	904540	904541	904541	904541
8	Blower Housing	D07481R	497227	D07481R	497227	D07481R	497227	497227	497227	497227	D07484R	D07484R	D07484R
9	Blower Wheel	667251	667258	667251	667258	667251	667258	667258	667258	667258	667280	667280	667280
11	Motor, Blower	M0021804R	M0021805R	M0021804R	M0021805R	M0021805R	M0021805R	M0021805R	M0021805R	M0021805R	M0021806R	M0021806R	M0021806R
12	Kit, Motor Mount	921391	903489	921391	903489	921391	903489	903489	903489	903489	903489	903489	903489
13	Door Assy	904557	904558	904557	904558	904557	904558	904558	904559	904579	904560	904560	904560
14	Filter Door	299944SR	299945SR	299944SR	299945SR	299944SR	299945SR	299945SR	299945SR	299945SR	299946SR	299946SR	299946SR
15	Replacement Coil (Restrictor change may be needed)	921298	921299	921298	921299	921298	921299	921299	921300	921300	921301	921302	921302
16	Distributor Assy	664195	664196	664197	664198	664200	664201	664203	664203	664205	664207	664207	664209
	Distributor Assy Eff. Sept 2006	—	—	—	—	—	—	—	—	—	—	664288	—
17	Drain Pan, Vertical	669919	669920	669919	669920	669919	669920	669920	669920	669920	669921	669921	669921
18	Horizontal Drain Pan Only	669855	669855	669855	669855	669855	669855	669855	669856	669856	669857	669857	669857
19	Close-Off	295471SR	295471SR	295471SR	295471SR	295471SR	295471SR	295471SR	295471SR	295471SR	295471SR	295471SR	295471SR
20	Ground Lug	632235	632235	632235	632235	632235	632235	632235	632235	632235	632235	632235	632235
	Variable Speed Control (Not Shown)	624668	624668	624668	624668	624668	624668	624668	624668	624668	624668	624668	624668
	Fuse, 5 AMP (Not Shown)	632269	632269	632269	632269	632269	632269	632269	632269	632269	632269	632269	632269
	Coil Support Rod (Not Shown)	669100	669100	669100	669100	669100	669100	669100	669100	669100	669100	669100	669100
	Motor Harness (Not Shown)	634632	634632	634632	634632	634632	634632	634632	634632	634632	634632	634632	634632
	Harness, Low Voltage (Not Shown)	634663	634663	634663	634663	634663	634663	634663	634663	634663	634663	634663	634663
	Plug, Drain Pan (Not Shown)	663351	663351	663351	663351	663351	663351	663351	663351	663351	663351	663351	663351
	Set of Wires (Not Shown)	286802R	286802R	286802R	286802R	286802R	286802R	286802R	286802R	286802R	286802R	286802R	286802R

Please specify Model No., Serial No, and the correct part number(s) when ordering parts from the nearest authorized dealer or service center.

## PAH2VM-T Series Multi-Poise Air Handler

ITEM	DESCRIPTION	T24KA	T24KB	T25KA	T25KB	T30KA	T30KB	T36KB	T37KB	T42KB	T48KC	T49KC	T60KC
1	Top Cap Assy	281963R	281963R	281951R	281963R	281951R	281963R	281963R	281963R	281963R	281964R	281964R	281964R
2	Electrical Panel	M0023203R	M0023203R	M0023203R	M0023203R	M0023203R	M0023203R	M0023203R	M0023203R	M0023203R	M0023203R	M0023203R	M0023203R
3	Control Board	904531	904531	904531	904531	904531	904531	904531	904531	904531	904531	904531	904531
4	Transformer	622336	622336	622336	622336	622336	622336	622336	622336	622336	622336	622336	622336
6	Plate, Element Close-Off	226420	226420	226420	226420	226420	226420	226420	226420	226420	226420	226420	226420
7	Complete Blower Assy	904539	904540	904539	904540	904539	904540	904540	904540	904540	904541	904541	904541
8	Blower Housing	D07481R	497227	D07481R	497227	D07481R	497227	497227	497227	497227	D07484R	D07484R	D07484R
9	Blower Wheel	667251	667258	667251	667258	667251	667258	667258	667258	667258	667280	667280	667280
11	Motor, Blower	M0021804R	M0021805R	M0021804R	M0021805R	M0021804R	M0021805R	M0021805R	M0021805R	M0021805R	M0021806R	M0021806R	M0021806R
12	Kit, Motor Mount	921391	903489	921391	903489	921391	903489	903489	903489	903489	903489	903489	903489
13	Door Assy	904557	904557	904557	904558	904557	904558	904558	904559	904559	904560	904560	904560
14	Filter Door	299944SR	299944SR	299944SR	299944SR	299944SR	299944SR	299944SR	299944SR	299944SR	299946SR	299946SR	299946SR
	Replacement Coil	921298	921299	921298	921299	921298	921299	921299	921300	921300	921301	921302	921302
15	TXV Kit (For Replacement coil)	920662A	920662A	920662A	920662A	920663A	920663A	920664A	920664A	920665A	920666A	920666A	920667A
	Liquid Tube Kit (For Replacement coil)	921287	921288	921287	921288	921287	921288	921288	921289	921289	921290	921291	921291
	Distributor Assy	664256	663830	664256	663830	664257	664219	664219	664219	664219	663583	663583	663586
16	Distributor Assy Efr. Sept. 2006	—	—	—	—	—	—	—	—	—	—	—	—
17	Drain Pan, Vertical	669919	669920	669919	669920	669919	669920	669920	669920	669920	669921	669921	669921
18	Horizontal Drain Pan Only	669855	669855	669855	669855	669855	669855	669855	669856	669856	669857	669857	669857
19	Close-Off	295471SR	295471SR	295471SR	295471SR	295471SR	295471SR	295471SR	295471SR	295471SR	295471SR	295471SR	295471SR
20	Ground Lug	632235	632235	632235	632235	632235	632235	632235	632235	632235	632235	632235	632235
24	TXV Assy	669550	669550	669550	669550	669552	669552	669553	669553	669554	669555	669555	669556
	Variable Speed Cntrl (Not Shown)	624668	624668	624668	624668	624668	624668	624668	624668	624668	624668	624668	624668
	Fuse, 5 AMP (Not Shown)	632269	632269	632269	632269	632269	632269	632269	632269	632269	632269	632269	632269
	Coil Support Rod (Not Shown)	669100	669100	669100	669100	669100	669100	669100	669100	669100	669100	669100	669100
	Motor Harness (Not Shown)	634632	634632	634632	634632	634632	634632	634632	634632	634632	634632	634632	634632
	Harness, Low Voltage (Not Shown)	634663	634663	634663	634663	634663	634663	634663	634663	634663	634663	634663	634663
	Plug, Drain Pan (Not Shown)	663351	663351	663351	663351	663351	663351	663351	663351	663351	663351	663351	663351
	Set of Wires (Not Shown)	286802R	286802R	286802R	286802R	286802R	286802R	286802R	286802R	286802R	286802R	286802R	286802R

Please specify Model No., Serial No, and the correct part number(s) when ordering parts from the nearest authorized dealer or service center.

## PAH2VM-X Series Multi-Poise Air Handler

ITEM	DESCRIPTION	X24KA	X24KB	X25KA	X25KB	X26KB	X30KA	X30KB	X36KA	X36KB	X37KB	X42KB	X48KB	X48KC	X49KC	X60KC
1	Top Cap Assy	281951R	281963R	281951R	281963R	281963R	281951R	281963R	281951R	281963R	281963R	281963R	281963R	281964R	281964R	281964R
2	Electrical Panel	M0023203R	M0023203R	M0023203R	M0023203R	M0023203R	M0023203R	M0023203R	M0023203R	M0023203R	M0023203R	M0023203R	M0023203R	M0023203R	M0023203R	M0023203R
3	Control Board	904531	904531	904531	904531	904531	904531	904531	904531	904531	904531	904531	904531	904531	904531	904531
4	Transformer	622336	622336	622336	622336	622336	622336	622336	622336	622336	622336	622336	622336	622336	622336	622336
6	Plate, Element Close-Off	226420	226420	226420	226420	226420	226420	226420	226420	226420	226420	226420	226420	226420	226420	226420
7	Complete Blower Assy	904539	904540	904539	904540	904540	904539	904540	904539	904540	904540	904540	904540	904541	904541	904541
8	Blower Housing	D07481R	497227	D07481R	497227	497227	D07481R	497227	D07481R	497227	497227	497227	497227	D07484R	D07484R	D07484R
9	Blower Wheel	667251	667258	667251	667258	667258	667251	667258	667251	667258	667258	667258	667258	667280	667280	667280
11	Motor, Blower	M0021804R	M0021805R	M0021804R	M0021805R	M0021805R	M0021804R	M0021805R	M0021804R	M0021805R	M0021805R	M0021805R	M0021805R	M0021806R	M0021806R	M0021806R
12	Kit, Motor Mount	921391	903489	921391	903489	903489	921391	903489	921391	903489	903489	903489	903489	903489	903489	903489
13	Door Assy	904557	904557	904557	904557	904557	904557	904557	904557	904557	904557	904557	904557	904560	904560	904560
14	Filter Door	299944SR	299945SR	299944SR	299945SR	299946SR	299944SR	299945SR	299944SR	299945SR	299945SR	299945SR	299945SR	299946SR	299946SR	299946SR
	Replacement Coil	921298	921299	921298	921299	920362D	921298	921299	921298	921299	921300	921300	921300	921301	921302	921302
15	TXV Kit (For Replacement coil)	920668A	920668A	920668A	920668A	920668A	920669A	920669A	920670A	920670A	920670A	920671A	920672A	920672A	920672A	920673A
	Liquid Tube Kit (For Replacement coil)	921287	921288	921287	921288	921288	921287	921288	921287	921288	921288	921289	921289	921290	921291	921291
	Distributor Assy	664256	663830	664256	663830	664219	664257	664219	664257	664219	664219	664219	664219	663583	663583	663586
16	Distributor Assy Eff. Sept 2006	—	—	—	—	—	—	—	—	—	—	—	—	—	—	—
17	Drain Pan, Vertical	669919	669920	669919	669920	669920	669919	669920	669919	669920	669920	669920	669920	669921	669921	669921
18	Horizontal Drain Pan Only	669855	669855	669855	669855	669856	669855	669855	669855	669855	669856	669856	669856	669857	669857	669857
19	Close-Off	295471SR	295471SR	295471SR	295471SR	295471SR	295471SR	295471SR	295471SR	295471SR	295471SR	295471SR	295471SR	295471SR	295471SR	295471SR
20	Ground Lug	632235	632235	632235	632235	632235	632235	632235	632235	632235	632235	632235	632235	632235	632235	632235
24	TXV Assy	669564	669564	669564	669564	669564	669565	669565	669565	669566	669567	669567	669568	669568	669568	669578
	Variable Speed Control (Not Shown)	624668	624668	624668	624668	624668	624668	624668	624668	624668	624668	624668	624668	624668	624668	624668
	Fuse, 5 AMP (Not Shown)	632269	632269	632269	632269	632269	632269	632269	632269	632269	632269	632269	632269	632269	632269	632269
	Coil Support Rod (Not Shown)	669100	669100	669100	669100	669100	669100	669100	669100	669100	669100	669100	669100	669100	669100	669100
	Motor Harness (Not Shown)	634632	634632	634632	634632	634632	634632	634632	634632	634632	634632	634632	634632	634632	634632	634632
	Harness, Low Voltage (Not Shown)	634663	634663	634663	634663	634663	634663	634663	634663	634663	634663	634663	634663	634663	634663	634663
	Plug, Drain Pan (Not Shown)	663351	663351	663351	663351	663351	663351	663351	663351	663351	663351	663351	663351	663351	663351	663351
	Set of Wires (Not Shown)	286802R	286802R	286802R	286802R	286802R	286802R	286802R	286802R	286802R	286802R	286802R	286802R	286802R	286802R	286802R

Please specify Model No., Serial No, and the correct part number(s) when ordering parts from the nearest authorized dealer or service center.

---

**NORDYNE**

COMPLETE COMFORT. GENUINE VALUE.

Specifications & illustrations subject to change without notice  
or incurring obligations. O' Fallon, MO | Printed in U.S.A. (11/10)



**708719B** (Replaces 708719A)