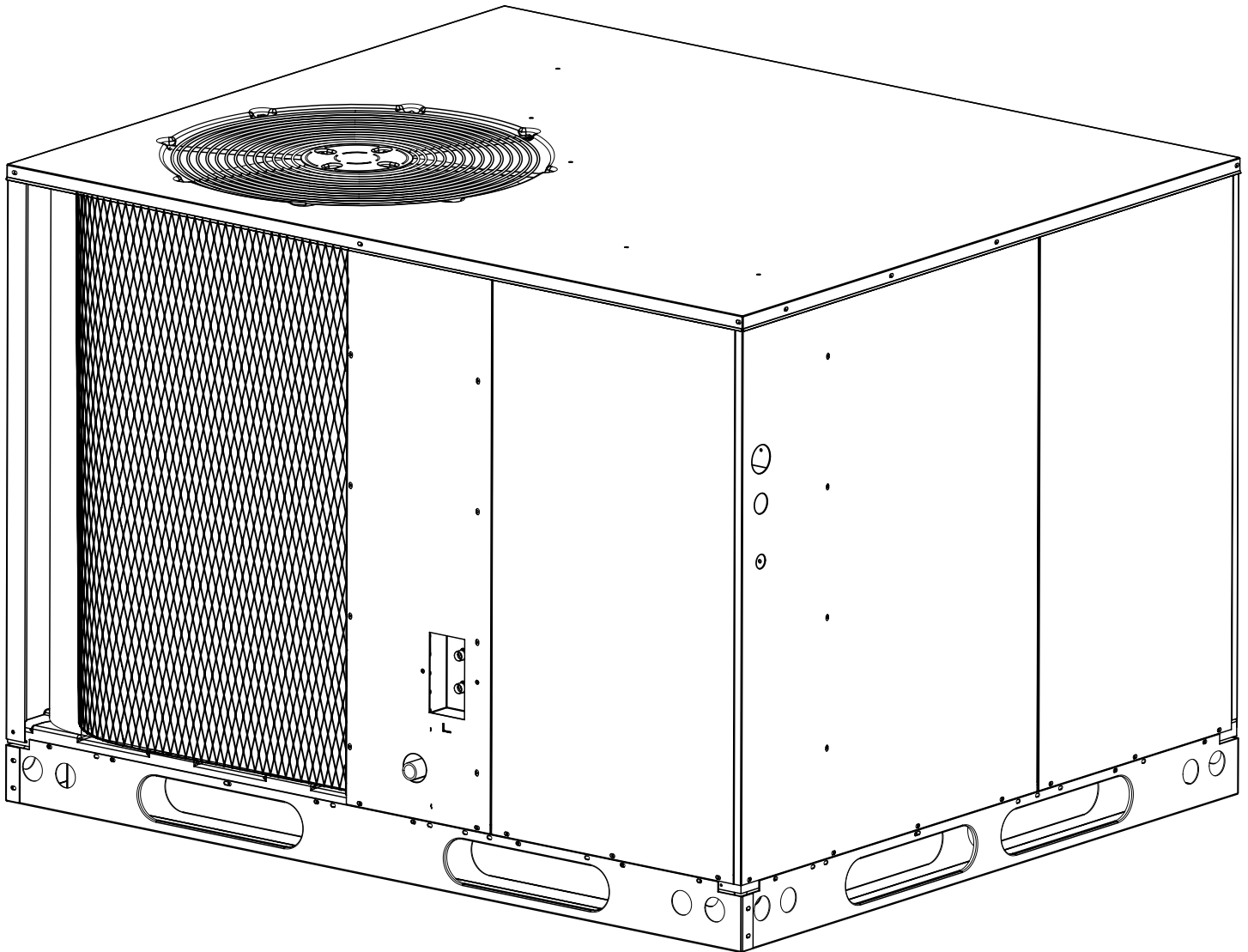


REPLACEMENT PARTS LIST

Single Package Air Conditioner P6SD Series 13 SEER, Single Phase Models



IMPORTANT

- This document is primarily intended to assist qualified individuals experienced in the proper repair or servicing of this appliance. Only factory authorized parts or accessory kits may be used with this product. Improper installation, service, adjustment, or maintenance may cause explosion, fire, electrical shock or other hazardous conditions which may result in personal injury or property damage.
- Some local codes require licensed installation / service personnel to service this type of equipment. Under no circumstances should the equipment owner attempt to install parts or service this equipment. Failure to comply with this warning could result in property damage, personal injury, or death.

P6SD Single Package Air Conditioner 13 SEER, Single Phase Models

ITEM	DESCRIPTION	(G)P6SD-X36K	(G)P6SD-X48K	(G)P6SD-X60K
		919974(G)	919975(G)	919976(G)
1	RAIL, BASE, 47.23" LG	277551	277551	277551
2	RAIL, BASE, 55.63" LG	277552	277552	277552
3	CHANNEL, DRAIN	279722R	279722R	279722R
4	PANEL, BLOWER TRANSITION	283941	283942	283942
5	COIL, OUTDOOR	285821R	285831R	285841R
6	RETURN PANEL ASSEMBLY	D05565R	D05565R	D05566R
7	CONTROL PANEL ASSEMBLY	292402R	292402R	292403R
8	INSULATED TOP RIGHT PAN ASSEMBLY.	292441R	292441R	292441R
9	BLOWER HSG ASSEMBLY, 10X8	297212	—	—
	BLOWER HSG ASSEMBLY, 10X10	—	297214	297214
10	PANEL, FRONT	298892R	298892R	298893R
11	BRASS NUT, EXT. SERVICE PORT(NOT SHOWN)	618084	618084	618084
12	BLOWER MOTOR, 1/4 HP	913357	—	—
	BLOWER MOTOR, 1/2 HP	—	914972	—
	BLOWER MOTOR, 3/4 HP, X-13	—	—	M0023903R
13	TRANSFORMER 40 VA	621709	621709	621709
14	MTR, FAN, PSC, K, 1/4 H/P	621721	621721	621721
15	CONTACTOR, 1 POLE 25A	621661	—	—
	CONTACTOR, 1 POLE 35A	—	621662	621662
16	RELAY, DPST	621867	621867	621867
17	CAPAC, RUN 45 /7.5/ 370	621153	—	—
	CAPAC, RUN 70 /7.5/ 370	—	621944	—
	CAPAC, RUN 80 /7.5/ 370	—	—	621717
18	COMPRESSOR, ZP31K5E-PFV	918870	—	—
	COMPRESSOR, ZP42K5E-PFV	—	918872	—
	COMPRESSOR, ZP54K5E-PFV	—	—	918873
19	FUSE, 3-AMP (NOT SHOWN)	632261	632261	632261
20	BLOCK, TERMINAL, 2-POLE	632214	632214	632214
21	SWITCH, HIGH PRESSURE (NOT SHOWN)	632401	632401	632401
22	HEATER, CRANKCASE, 240V / 40W, 60" (NOT SHOWN)	—	632509	632509
23	PLUG, MOLDED, HV (NOT SHOWN)	634676	634676	634676
24	CORE, CHARGING PORT (NOT SHOWN)	662103	662103	662103
25	DISTIBUTOR, 5CIR (NOT SHOWN)	663582	663582	—
	DISTIBUTOR, 8CIR (NOT SHOWN)	—	—	663586
26	FITTING, ACCESS	663812	663812	663812
27	CAP, SERVICE PORT, BRASS (NOT SHOWN)	663818	663818	663818
28	DRAIN TUBE ASSEMBLY	663833	663833	663833
29	BRACKET, EXT. SERVICE PORTS	298551	298551	298551
30	CORE, PORT, HI FLOW, BRASS (NOT SHOWN)	664331	664331	664331

Please specify Model No., Serial No, and the correct part number(s) when ordering parts from the nearest authorized dealer or service center.

P6SD Single Package Air Conditioner 13 SEER, Single Phase Models (Continued)

ITEM	DESCRIPTION	(G)P6SD-X36K	(G)P6SD-X48K	(G)P6SD-X60K
		919974(G)	919975(G)	919976(G)
31	THERMAL EXPANSION VALVE	664349	664350	664275
32	FITTING, PANEL MNT, HI-FLOW, 3/8"	664393	664393	664393
33	WHEEL, BLOWER CW 10 X 8	667037	—	—
	WHEEL, BLOWER 10 X 10	—	667207	667207
34	FAN, BLADE	667279	667278	667278
35	PAN, DRAIN	669190	669190	669190
36	REPLACEMENT HAIL GUARD KIT(NOT SHOWN)	917206	917206	917206
37	DRIER, FILTER, UNIFLOW, 8 IN ³	669378	669378	669378
38	GRILLE, TOP-24" BLACK	669404	669404	669404
39	PAINT, TOUCH UP, STERLING GREY	903598	903598Q	903598
40	SERVICE PANEL	D05112R	D05112R	D05113R
41	DIVIDER, LOW VOLTAGE	D05120	D05120	D05120
42	DUAL GROUNDING LUG	632235	632235	632235
43	PANEL, ELECTRIC HEAT	D05420	D05420	D05420
44	STAND, DRAIN PAN	D05440	D05440	D05440
45	PANEL, BLOWER TRANS SIDE	D05450	D05450	D05450
46	BOTTOM PAN ASSEMBLY	D05480R	D05480R	D05480R
47	DIVIDER PANEL ASSEMBLY	D05502R	D05502R	D05503R
48	DUCT CAP ASSEMBLY	D05530R	D05530R	D05530R
49	BLOWER PANEL ASSEMBLY	D05542R	D05542R	D05543R
50	SUPPLY PANEL ASSEMBLY	D05555R	D05555R	D05556R
51	CORNER PANEL ASSEMBLY	D05625R	D05625R	D05626R
52	TOP PAN ASSY. (LEFT)	293781R	293781R	293781R
53	PANEL, CLOSE-OFF ASSEMBLY	D05685R	D05685R	D05686R
54	COIL, INDOOR	D13001R	D13001R	D06256R
55	POST, CORNER	D09996R	D09996R	D09997R
56	CAPAC, RUN 10/370	622133	—	—
	CAPAC, RUN 15/370	—	622135	—
57	SET OF WIRES (NOT SHOWN)	M0038321R	M0038321R	M0038326R
	SET OF WIRES - "G" MODELS ONLY (NOT SHOWN)	M0038318R	M0038318R	M0038325R
58	NUT, HEX, DBL THICK, BRIGHT (NOT SHOWN)	606260	606260	606260
	NUT, HEX, DBL THICK, BLACK - "G" MODELS ONLY (NOT SHOWN)	606261	606261	606261
59	GUARD, COIL(FORMED)	D09373R	D09373R	D09374R
60	SWITCH, LOW PRESSURE (NOT SHOWN)	632399	632399	632399
61	ONE-PIECE TOP PAN KIT (ORIFICE INCLUDED)	M0034721	M0034721	M0034721
62	DROP-IN ORIFICE	263210	263210	263210

Please specify Model No., Serial No, and the correct part number(s) when ordering parts from the nearest authorized dealer or service center.

