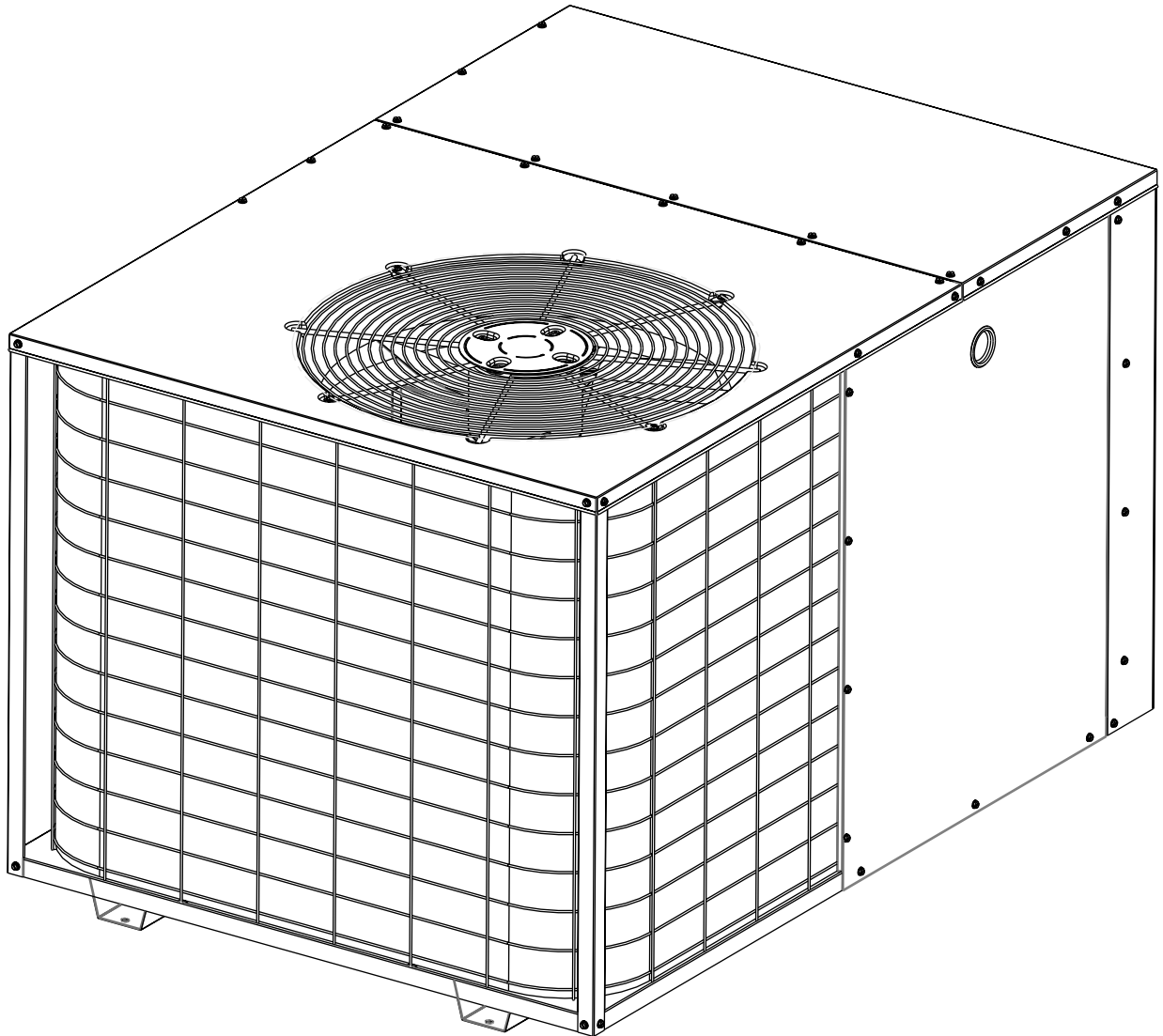


**REPLACEMENT PARTS LIST**

**Single Package Air Conditioner  
(\*P3 Series  
10 SEER and 12 SEER Models**



## 10 SEER Single Package Air Conditioner Model (\*)P3RA

ITEM NO.	PART NO.	DESCRIPTION	024	030	036	042	048	060
1	606237	Acorn Nut	4	4	4	4	4	4
2	621720	Condenser Fan Motor 1/8 hp	1	1	1			
	621721	Condenser Fan Motor 1/4 hp				1	1	1
3	669175	Top Grille	1	1	1	1	1	1
4	667279	Fan Blade 20" Dia., 26°	1	1	1	1		
	667278	Fan Blade 20" Dia., 30°					1	1
5	D07090R	Top Panel Assembly, Right	1	1	1	1	1	1
6	D03570R	Top Panel Assembly, Left	1	1	1	1	1	1
7	D03290	Drain Channel	1	1	1	1	1	1
8	D03441R	Divider Panel Assembly	1	1	1	1		
	D03443R	Divider Panel Assembly					1	1
9	D03481R	Blower Divider Assembly	1	1	1	1		
	D03483R	Blower Divider Assembly					1	1
10	912956	Compressor CR22K6-PFV	1					
	912957	Compressor CR28K6-PFV		1				
	914955	Compressor CR34K6-PFV			1			
	914925	Compressor ZR40KC-PFV				1		
	914749	Compressor ZR47KC-PFV					1	
	<sup>2</sup> 917865	Compressor ZR61KC-PFV						1
11	689513	Coil Gasket	1	1	1	1	1	1
12	669187	Drain Pan	1	1	1	1	1	1
13	663713	Drain Tube Assembly	1	1	1	1	1	1
14	669211	R-Trap	1	1	1	1	1	1
15	669184	Elbow 3/4" MPT	1	1	1	1	1	1
16	664060	Restrictor 0.060	1					
	664067	Restrictor 0.067		1				
	664073	Restrictor 0.073			1			
	664075	Restrictor 0.075				1		
	664087	Restrictor 0.087					1	
	664099	Restrictor 0.099						1
17	663716	Distributor Assembly	1	1				
	663580	Distributor Assembly			1			
	663719	Distributor Assembly				1		
	663582	Distributor Assembly					1	
	663584	Distributor Assembly						1
18	663394	Swivel Connector	1	1	1	1	1	1
19	262970	Blower Foot	1	1	1	1	1	1
20	621937	Indoor Blower Motor 1/4 hp	1					
	621938	Indoor Blower Motor 1/3 hp		1				
	621939	Indoor Blower Motor 1/3 hp			1	1		
	621940	Indoor Blower Motor 1/2 hp					1	1
21	667294	Blower Wheel 9 x 8	1	1				
	667037	Blower Wheel 10 X 8			1	1	1	
	<sup>1</sup> 667258	Blower Wheel 11 X 8						1
22	D03621	Indoor Coil	1					
	D03622	Indoor Coil		1				
	D03623	Indoor Coil			1			
	D03627	Indoor Coil				1		
	D03625	Indoor Coil					1	
	D03626	Indoor Coil						1

<sup>1</sup>Change from 667258 to 667037 approximately January, 1999.

<sup>2</sup>917865 replaces 914926 approximately March, 2001.

## 10 SEER Single Package Air Conditioner Model (\*)P3RA

ITEM NO.	PART NO.	DESCRIPTION	024	030	036	042	048	060
23	D03340	Blower Box Cover	1	1	1	1	1	1
24	D03350	Blower Transition Box	1	1	1	1	1	1
25	D03462R	Rear Panel Assembly	1	1				
	D03461R	Rear Panel Assembly			1	1		
	D03465R	Rear Panel Assembly					1	1
26	D03521R	Blower Panel Assembly	1	1	1	1		
	D03523R	Blower Panel Assembly					1	1
27	D04361	Corner Panel	1	1	1	1		
	D04363	Corner Panel					1	1
28	D03430R	Bottom Pan Assembly	1	1	1	1	1	1
29	<sup>6</sup> D02881	Control Panel	1	1	1	1		
	<sup>6</sup> 271791	Control Panel	1	1	1	1		
	<sup>6</sup> D02883	Control Panel					1	1
	<sup>6</sup> 271793	Control Panel					1	1
30	<sup>5</sup> 621869	Blower Relay	1	1	1	1	1	1
	<sup>5</sup> 621931	Blower Relay	1	1	1	1	1	1
31	621708	Transformer 30 VA	1	1	1	1	1	1
32	621661	Contacto 25 A	1	1	1	1		
	621662	Contacto 35 A					1	1
33	621434	Capacitor 7.5/370	1	1				
	621435	Capacitor 10/370			1	1		
	621499	Capacitor 15/370					1	1
	<sup>3</sup> 621500	Capacitor 20/370						1
34	620777	Dual Capacitor 30/5/370	1					
	620762	Dual Capacitor 35/5/370		1				
	620779	Dual Capacitor 50/5/370			1			
	620968	Dual Capacitor 40/7.5/440				1		
	621697	Dual Capacitor 50/7.5/370					1	
	<sup>4</sup> 621944	Dual Capacitor 70/7.5/370						1
35	621586	Anti-Short Cycle Timer	1	1	1	1	1	1
36	D02871	Control Box Cover	1	1	1	1		
	D02873	Control Box Cover					1	1
37	D02891R	Compressor Cover	1	1	1	1		
	D02893R	Compressor Cover					1	1
38	D03641R	Outdoor Coil- Formed	1					
	D03642R	Outdoor Coil-Formed		1				
	D06160R	Outdoor Coil-Formed			1			
	D03643R	Outdoor Coil-Formed				1		
	D03644R	Outdoor Coil-Formed					1	
	D03645R	Outdoor Coil-Formed						1
39	D09331	Coil Guard- Formed	1	1				
	D09332	Coil Guard- Formed			1	1		
	D09334	Coil Guard- Formed					1	1
40	D09991	Corner Brace	2	2	2	2		
	D09993	Corner Brace					2	2
41	250101	Duct Collar 12"	2	2	2	2	1	1
	250102	Duct Collar 14"					1	1

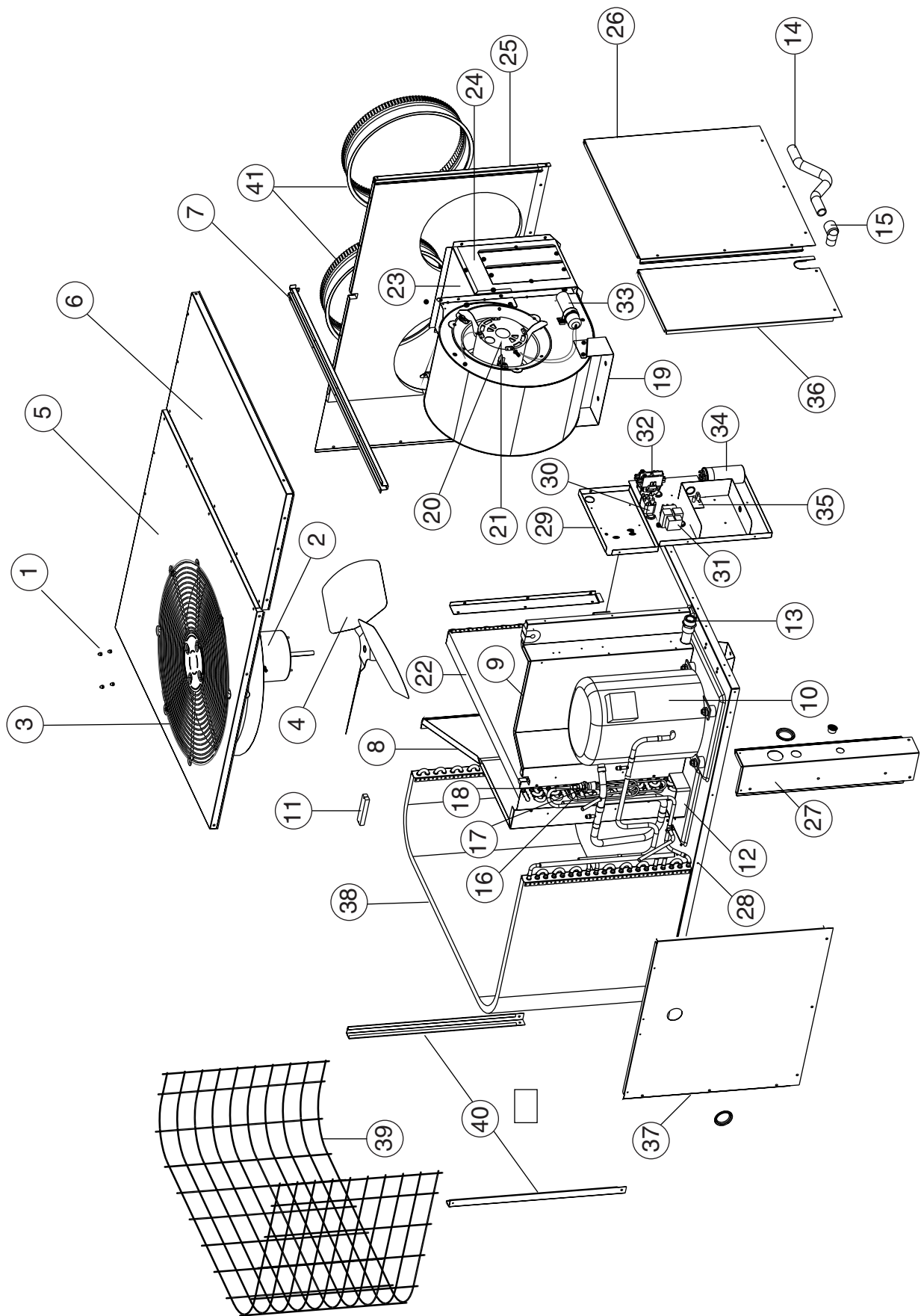
<sup>3</sup>Change from 621500 to 621499 approximately January, 1999.

<sup>4</sup>621944 replaces 621698 approximately March, 2001.

<sup>5</sup>621931 replaces 621869 approximately July, 2001.

<sup>6</sup>271791 and 271793 replace D02881 and D02883 approximately July, 2001.

(\*)P3RA



## 12 SEER Single Package Air Conditioner Model (\*)P3RC

ITEM NO.	PART NO.	DESCRIPTION	024	030	036	042	048
1	606237	Acorn Nut	4	4	4	4	4
2	621720	Condenser Fan Motor 1/8 hp	1	1	1		
	621721	Condenser Fan Motor 1/4 hp				1	1
3	669175	Top Grille	1	1	1	1	1
4	667279	Fan Blade 20" Dia., 26°	1	1	1		
	667278	Fan Blade 20" Dia., 30°				1	1
5	D07090R	Top Panel Assembly, Right	1	1	1	1	1
6	D03570R	Top Panel Assembly, Left	1	1	1	1	1
7	D03290	Drain Channel	1	1	1	1	1
8	D03441R	Divider Panel Assembly	1	1	1		
	D03443R	Divider Panel Assembly				1	1
9	D03481R	Blower Divider Assembly	1	1	1		
	D03483R	Blower Divider Assembly				1	1
10	914653	Compressor ZR22K3-PFV	1				
	914865	Compressor ZR28K3-PFV		1			
	914927	Compressor ZR32K3-PFV			1		
	914656	Compressor ZR40K3-PFV				1	
	<sup>1</sup> 913795	Compressor ZR46K3-PFV					1
	<sup>1</sup> 917219	Compressor ZR47K3-PFV					1
11	689513	Coil Gasket	1	1	1	1	1
12	669187	Drain Pan	1	1	1	1	1
13	663713	Drain Tube Assembly	1	1	1	1	1
14	669211	R-Trap	1	1	1	1	1
15	669184	Elbow 3/4" MPT	1	1	1	1	1
16	664060	Restrictor 0.060	1				
	664067	Restrictor 0.067		1			
	664069	Restrictor 0.069			1		
	664082	Restrictor 0.082				1	
	664087	Restrictor 0.087					1
17	663716	Distributor Assembly	1				
	663580	Distributor Assembly		1	1		
	663582	Distributor Assembly				1	
	663584	Distributor Assembly					1
18	663394	Swivel Connector	1	1	1	1	1
19	D03622	Indoor Coil	1				
	D03624	Indoor Coil		1	1		
	D03625	Indoor Coil				1	
	D03626	Indoor Coil					1
20	262970	Blower Foot	1	1	1	1	1
21	621937	Indoor Blower Motor 1/4 hp	1				
	621938	Indoor Blower Motor 1/3 hp		1			
	621939	Indoor Blower Motor 1/3 hp			1	1	
	<sup>2</sup> 621693	Indoor Blower Motor 1/3 hp 5KCP39HGS760S				1	
	621940	Indoor Blower Motor 1/2 hp					1
22	667294	Blower Wheel 9 x 8	1	1			
	667037	Blower Wheel 10 x 8			1	1	1

<sup>1</sup>Change from 913795 to 917219 approximately July, 1999.

## 12 SEER Single Package Air Conditioner Model (\*)P3RC

ITEM NO.	PART NO.	DESCRIPTION	024	030	036	042	048
23	D03340	Blower Box Cover	1	1	1	1	1
24	D03350	Blower Transition Box	1	1	1	1	1
25	D03462R	Rear Panel Assembly	1	1	1		
	D03461R	Rear Panel Assembly				1	
	D03465R	Rear Panel Assembly					1
26	D03521R	Blower Panel Assembly	1	1	1		
	D03523R	Blower Panel Assembly				1	1
27	D04361	Corner Panel	1	1	1		
	D04363	Corner Panel				1	1
28	D03430R	Bottom Pan Assembly	1	1	1	1	1
29	<sup>4</sup> D02881	Control Panel	1	1	1		
	<sup>4</sup> 271791	Control Panel	1	1	1		
	<sup>4</sup> D02883	Control Panel				1	1
	<sup>4</sup> 271793	Control Panel				1	1
30	<sup>3</sup> 621869	Blower Relay	1	1	1	1	1
	<sup>3</sup> 621931	Blower Relay	1	1	1	1	1
31	621708	Transformer 30 VA	1	1	1	1	1
32	621661	Contactors 25 A	1	1	1	1	
	621662	Contactors 35 A					1
33	621434	Capacitor 7.5/370	1	1			
	621435	Capacitor 10/370			1	1	
	621499	Capacitor 15/370					1
34	620763	Dual Capacitor 40/5/370	1				
	621635	Dual Capacitor 45/5/370		1	1		
	621699	Dual Capacitor 55/7.5/370				1	
	<sup>2</sup> 621698	Dual Capacitor 60/7.5/370					1
	<sup>2</sup> 621842	Dual Capacitor 60/7.5/440					1
35	621586	Anti-Short Cycle Timer	1	1	1	1	1
36	632060	Blower Time Delay Relay (not shown)	1				
37	D02871R	Control Box Cover	1	1	1		
	D02873R	Control Box Cover				1	1
38	D02891R	Compressor Cover	1	1	1		
	D02893R	Compressor Cover				1	1
39	D03646R	Outdoor Coil-Formed	1	1			
	D03647R	Outdoor Coil-Formed			1		
	D03648R	Outdoor Coil-Formed				1	
	D06190R	Outdoor Coil-Formed					1
40	D09331	Coil Guard- Formed	1	1	1		
	D09333	Coil Guard- Formed				1	
	D09334	Coil Guard- Formed					1
41	D09991	Corner Brace	2	2	2		
	D09993	Corner Brace				2	2
42	250101	Duct Collar 12"	2	2	2	1	1
	250102	Duct Collar 14"				1	1

<sup>2</sup>Change from 621698 to 621842 approximately July, 1999.

<sup>3</sup>Change from 621869 to 621931 approximately July, 2001.

<sup>4</sup>Change from D02881 and D02883 to 271791 and 271793 approximately July, 2001.

(\*)P3RC

