

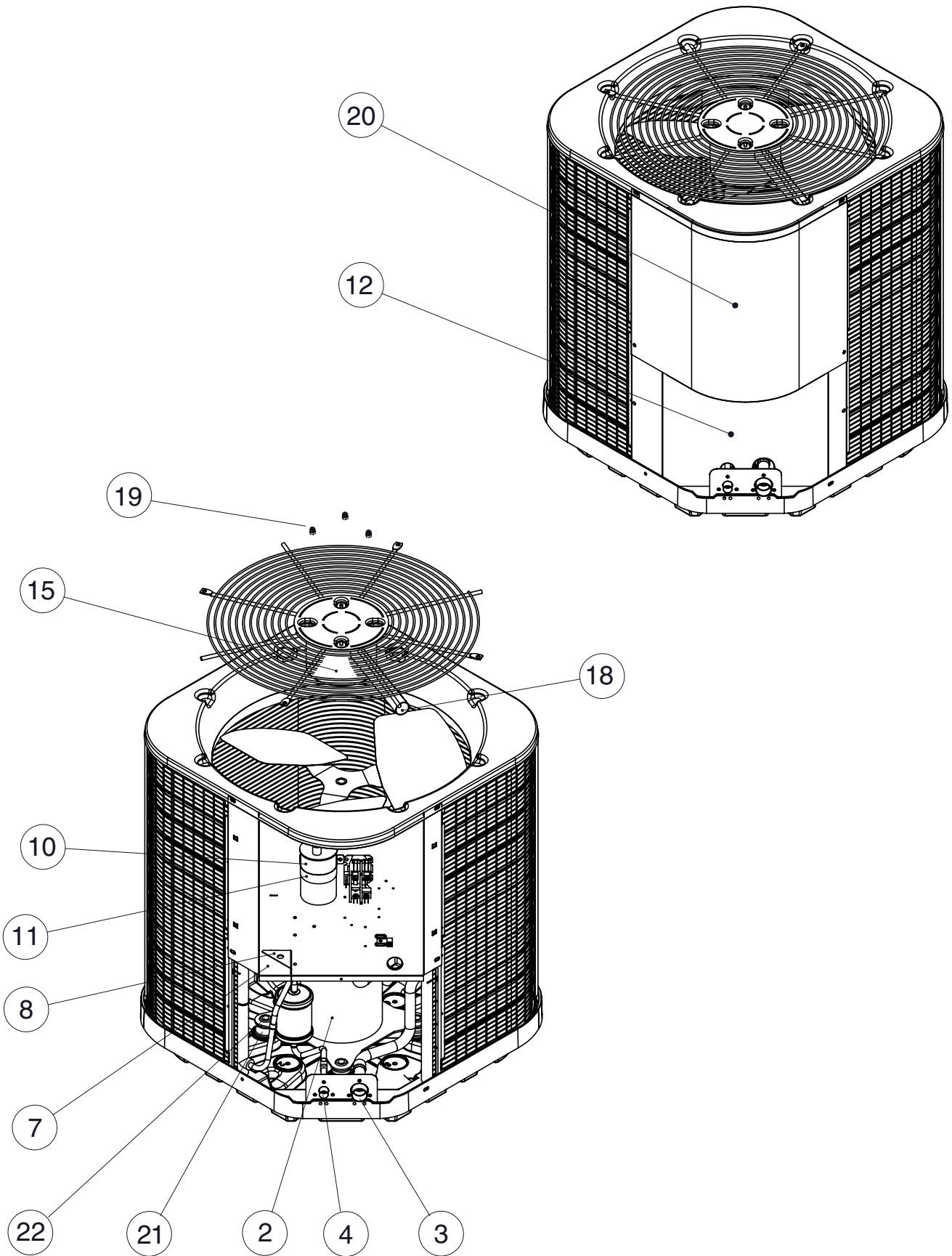
REPLACEMENT PARTS LIST

Split System Air Conditioner for Manufactured Housing
NS6QD Series
13 SEER Models



NS6QD REPLACEMENT PARTS LIST

ITEM	DESCRIPTION	024K	030K	036K	042K	048K	060K
2	Compressor	921092	921093	921094	921095	921096	921097
3	Refrigerant Valve, Large	664478	664478	664478	664479	664479	664479
4	Refrigerant Valve, Small	664477	664477	664477	664477	664477	664477
5	Coil Guard	2A1062R	2A1062R	2A1064R	2A1071R	2A1071R	2A1072R
6	Outdoor Coil	2A9972R	2A9972R	2A9973R	2B5231R	2B5231R	2B5232R
7	Control Box	277361	277361	277361	277361	277361	277361
8	Low Voltage Divider	258790	258790	258790	258790	258790	258790
9	Contactora	621661	621661	621661	621661	621662	621662
10	Capacitor	01-0098	01-0098	01-0292	01-0274	01-0276	01-0278
11	Capacitor Strap	258780	258780	258780	258780	258780	258780
12	Access Panel	274012	274012	274014	274012	274012	274013
13	Star Bushing (Not Shown)	631670	631670	631670	631670	631670	631670
14	Top Pan	496161	496161	496161	496162	496162	496162
15	Fan Motor	621919	621919	621917	622066	622066	622066
16	Fan Blade	667261	667261	667318	667316	667316	667316
17	Fan Grill	669334	669334	669334	669335	669335	669335
18	Motor Wire Conduit	664292	664292	664292	664290	664290	664290
19	Nut, Acorn	606261	606261	606261	606261	606261	606261
20	Control Box Cover	276921	276921	276921	276921	276921	276921
21	Grommet, Compressor	690304	690304	690304	668530	668530	668530
22	Bolt, Compressor	600428	600428	600428	600426	600426	600426
23	High Pressure Switch (Not Shown)	632473	632473	632473	632473	632473	632473
24	Filter Drier (Not Shown)	669764	669764	669764	669764	669764	669764
25	Service Valve, 1/2" (Not Shown)	663594	663594	669764	663594	663594	663594
26	Core, Charging Port (Not Shown)	662103	662103	662103	662103	662103	662103
27	Flange, Coupling Mount (large)	663011	663011	663011	663011	663011	663011
28	Flange, Coupling Mount (small)	663012	663012	663012	663012	663012	663012



NORDYNE
COMPLETE COMFORT. GENUINE VALUE.

Specifications & illustrations subject to change without notice or incurring obligations.
O' Fallon, MO | Printed in U.S.A. (07/10)



7092150