

REPLACEMENT PARTS LIST

MG3 Series Single and Two Stage Condensing Gas Furnaces

SINGLE STAGE CONDENSING GAS FURNACE 92% AFUE

TWO STAGE CONDENSING GAS FURNACE 96% AFUE



MG3P
Upflow / Horizontal Furnace



MG3S
Downflow Furnace

92% AFUE SINGLE STAGE FURNACE

MG3P Upflow / Horizontal - Replacement Parts List.....	2
MG3P Upflow / Horizontal - Component Location.....	3

96% AFUE TWO STAGE FURNACE

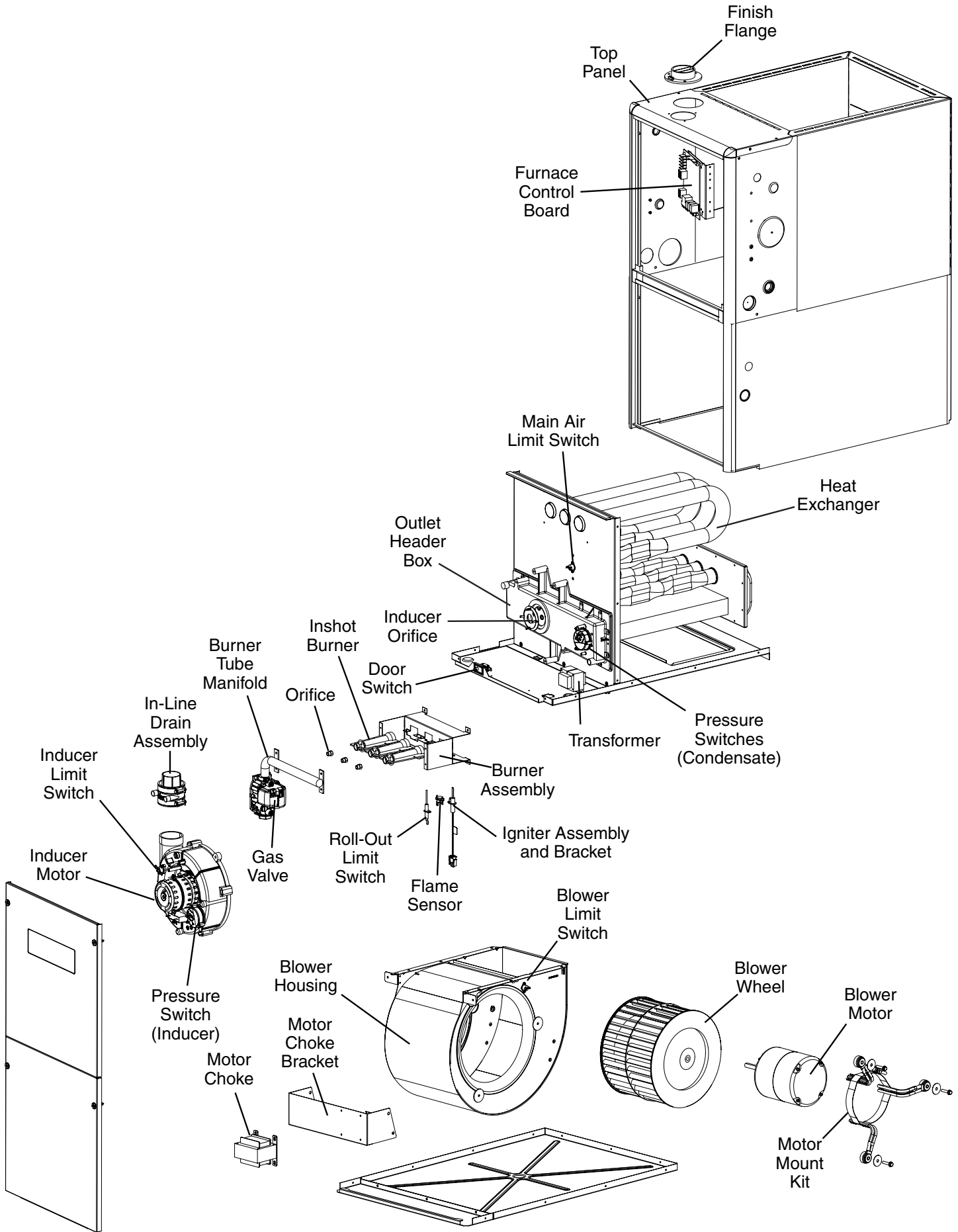
MG3S Downflow - Replacement Parts List	4
MG3S Downflow - Component Location	5

DESCRIPTION	054U1AAB1	072U1AAC1	090U1AAC1	108U1AAD1
Blower Housing	297207R	N/A	N/A	N/A
Blower Housing (with Wheel)	N/A	1027002R	1027002R	1027002R
Blower Limit Switch	626611R	626611R	626611R	626611R
Blower Motor	1027370R	1027391R	1027392R	1027393R
Blower Wheel	667258R	N/A	N/A	N/A
Burner Assembly	904747R	904823	904929	904827
Burner Tube Manifold	664238R	664239R	664240R	664241R
Control Board (Nordyne/UTEC)	1021573R	1021573R	1021573R	1021573R
Control Board (Emerson) <i>NOTE: For units manufactured after 08/23/2022</i>	1041648R	1041648R	1041648R	1041648R
Door Set	904768	904769	904769	904770
Door Switch	632693R	632693R	632693R	632693R
Drain Tube (Hard "J" 30") (Not Shown)	663706R	663706R	663706R	663706R
Drain Tube (Soft, "J" 30") (Not Shown)	663707R	663707R	663707R	663707R
Filter (Not Shown)	669785R	669785R	669785R	669785R
Finish Flange	664633R	664633R	664633R	664633R
Flame Sensor	632484R	632484R	632484R	632484R
Fuse	632261R	632261R	632261R	632261R
Gas Valve	903596	903596	903596	903596
Heat Exchanger	904869	904870	904871	904791
High Temperature Hose (Not Shown)	263967R	263967R	263967R	263967R
Ignitor Assembly (Nitride)	1017743S	1017743S	1017743S	1017743S
Igniter Bracket (Not Shown)	299261R	299261R	299261R	299261R
Inducer Limit Switch	626599R	626599R	626599R	626599R
Inducer Motor	1003441	1003441	1003441	1003441
Inducer Orifice	669712R	669715R	669717R	Not Used
In-Line Drain Assembly	664435R	664435R	664435R	664435R
Inshot Burner	661134R	661134R	661134R	661134R
Main Air Limit Switch	626614R	1021533R	626613R	626614R
Motor Choke	622340R	622340R	622340R	622340R
Motor Mount Kit	904951	904951	904951	904951
Orifice (Natural Gas)	661047R	661047R	661047R	661047R
Outlet Header Box	904802	904803	904803	904804
Pressure Switch (condensate)	632491R	632491R	632622R	632491R
Pressure Switch (inducer)	632495R	632493R	632493R	632493R
Roll-Out Limit Switch	626608R	626609R	626609R	626609R
Set of Wires (Not Shown, Nordyne/UTEC)	1027179R	1027180R	1027180R	1027180R
Set of Wires (Emerson) <i>NOTE: For units manufactured after 08/23/2022</i>	1040684R	1040683R	1040683R	1040683R
Top Panel	2B3552R	2B3553R	2B3553R	2B3554R
Transformer	622341R	622341R	622341R	622341R
Tube (Soft, 5.5") (Not Shown)	663727R	663727R	663727R	663727R

Please specify the correct Model No., Serial No., and part number(s) when ordering parts from the nearest authorized dealer or service center.

FOR COMPONENT LOCATIONS, SEE PAGE 3

MG3P Upflow / Horizontal Component Location



MG3S DOWNFLOW REPLACEMENT PARTS LIST

DESCRIPTION	MG3S-80T2AACP
Blower Control Board	920920
Blower Housing	297209R
Blower Limit Switch	626611R
Blower Motor	622684
Blower Wheel	1017727R
Burner Assembly	904830
Burner Tube Manifold	664243R
Control Board	920916
Door Set	904769
Door Switch	632693R
Drain Tube (Soft, "J" 30") (Not Shown)	663707R
Filter (Not Shown)	669785R
Finish Flange	664633R
Flame Sensor	632484R
Fuse	632261R
Gas Valve	921691
Heat Exchanger	904793
High Temperature Hose (Not Shown)	263967R
Ignitor Assembly (Nitride)	1017743S
Inducer Limit Switch	626599R
Inducer Motor	1003442
Inducer Orifice	669720R
In-Line Drain Assembly	664435R
Inshot Burner	661128R
Main Air Limit Switch	626601R
Motor Choke	622340R
Motor Mount Kit	904907
Orifice (Natural Gas)	661045R
Outlet Header Box	904803
Pressure Switch	1016296R
Roll-Out Limit Switch	626610R
Set of Wires	M0036044R
Top Panel	2B3563R
Transformer	622341R
Tube (Soft, 6.5") (Not Shown)	663727R

Please specify the correct Model No., Serial No, and part number(s) when ordering parts from the nearest authorized dealer or service center.

FOR COMPONENT LOCATIONS, SEE PAGE 5

MG3S Downflow Component Location

