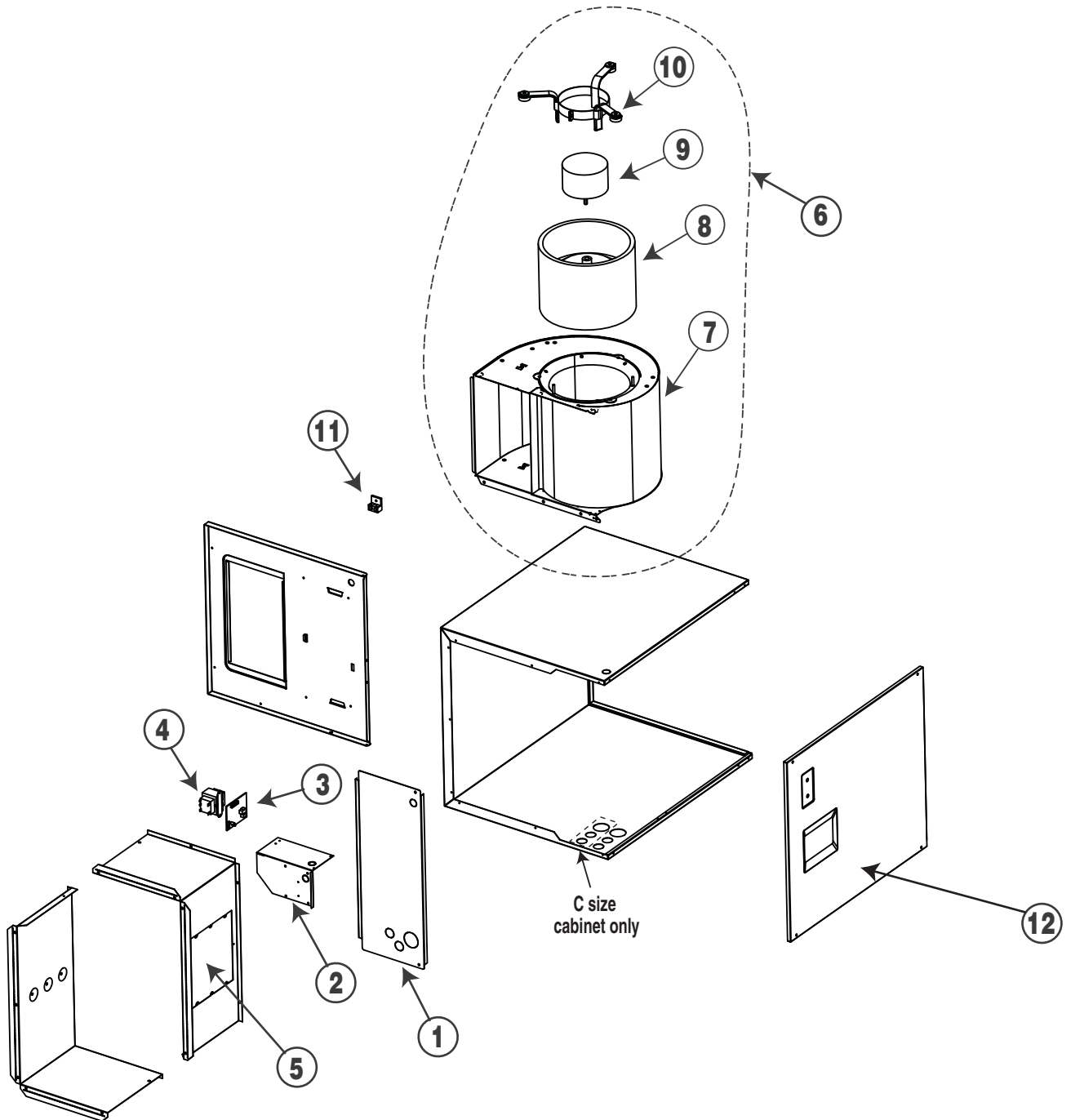


REPLACEMENT PARTS LIST

Modular Indoor Blower MB6(B,E,V)M Series



MB6BM Modular Indoor Blower

Item	Description	-0800KA	-1200KA	-1200KB	-1600KC	-2000KC
1	Top Cap Assy	281951R	281951R	299402R	299403R	299403R
2	Electrical Panel	M0023201R	M0023201R	M0023201R	M0023201R	M0023201R
3	Control Board	904531	904531	904531	904531	904531
4	Transformer	621709	621709	621709	621709	621709
5	Plate, Element Close-off	226420	226420	226420	226420	226420
6	Complete Blower Assy	904533	904534	904536	M0022825R	M0022826R
7	Housing, Blower	297210R	297210R	297212R	297214R	297219R
8	Wheel, Blower	667251	667251	667037	667207	667280
9	Motor, Blower	622257	622264	622258	622264	621891
10	Kit, Motor Mount	913871	913891	913871	913871	903489
11	Ground Lug	622235	622235	622235	622235	622235
12	Door Assy	M0040201R	M0040201R	M0040202R	M0040203R	M0040203R
	Set of Wires (not shown)	286801R	286801R	286801R	286801R	286801R
	Fuse, 5 Amp (not shown)	632269	632269	632269	632269	632269
	Capacitor, Blw (not shown)	622132	622137	622133	622137	622137

MB6(E,V)M Modular Indoor Blower

Item	Description	EM-1200KA	EM-1600KB	EM-2000KC	VM-1200KA	VM-1600KB	VM-2000KC
1	Top Cap Assy	281951R	299402R	299403R	281951R	299402R	299403R
2	Electrical Panel	M0023205R	M0023205R	M0023205R	M0023201R	M0023201R	M0023201R
3	Control Board	904532	904532	904532	904531	904531	904531
4	Transformer	621709	621709	621709	621709	621709	621709
5	Plate, Element Close-off	226420	226420	226420	226420	226420	226420
6	Complete Blower Assy	M0040501R	M0040502R	M0040503R	904539	920413	920414
7	Housing, Blower	297210R	297217R	297219R	297210R	297217R	297219R
8	Wheel, Blower	667251	667258	667280	667251	667258	667280
9	Motor, Blower	M0021811R	M0021812R	M0021813R	M0021804R	M0021814R	M0021815R
10	Kit, Motor Mount	913871	903489	903489	913871	903489	903489
11	Ground Lug	622235	622235	622235	622235	622235	622235
12	Door Assy	M0040201R	M0040202R	M0040203R	M0040201R	M0040202R	M0040203R
13	Set of Wires (not shown)	286803R	286803R	286803R	286802R	286802R	286802R
14	Fuse, 5 Amp (not shown)	632269	632269	632269	632269	632269	632269
15	Control Board, VS (not shown)	N/A	N/A	N/A	624668	624668	624668
16	Harness, VS (not shown)	N/A	N/A	N/A	634632	634632	634632
17	Harness, Low Volt (not shown)	N/A	N/A	N/A	634663	634663	634663

