

REPLACEMENT PARTS LIST

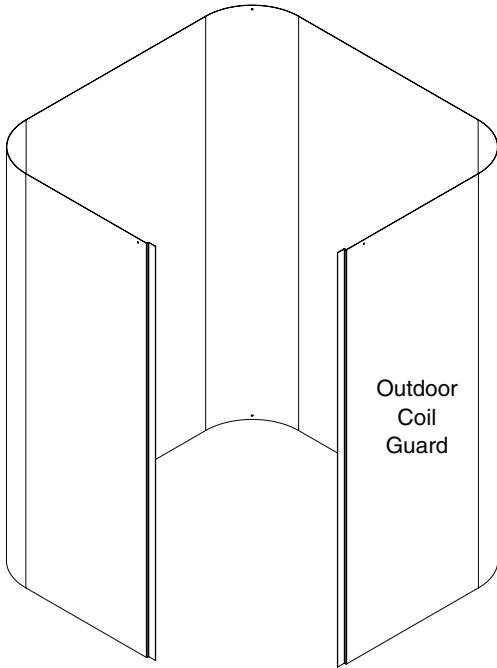
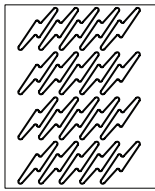
RESIDENTIAL SPLIT SYSTEM HEAT PUMP

JT7BE SERIES

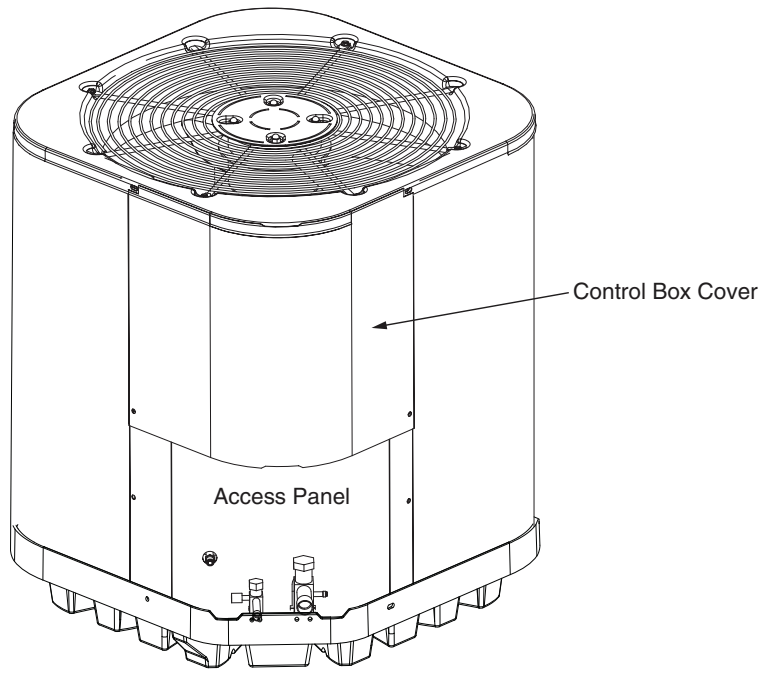
14 SEER MODELS



Jacket Pattern

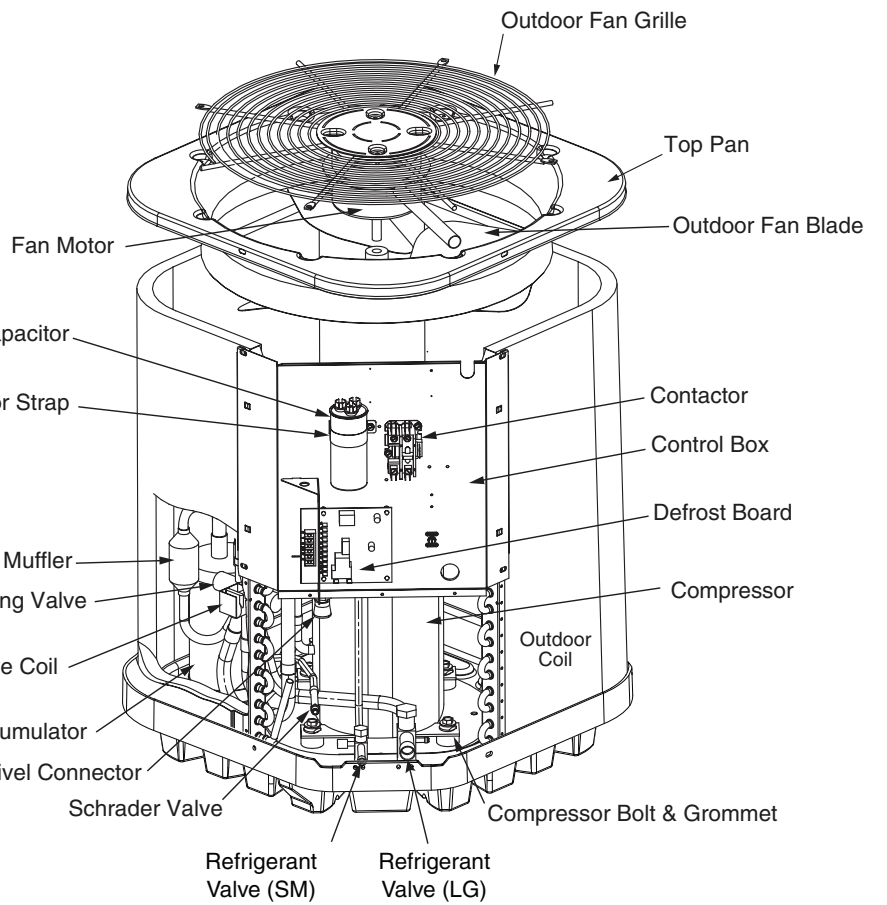


Outdoor
Coil
Guard



Control Box Cover

Access Panel



JT7BE SERIES RESIDENTIAL SPLIT SYSTEM HEAT PUMP

COMPONENT	JT7BE-018K	JT7BE-024K	JT7BE-030K	JT7BE-036K	JT7BE-042K	JT7BE-048K
	1016585J	1016586J	1016587J	1016588J	1016589J	1016590J
ACCUMULATOR	668853R	668853R	668853R	668794R	668854R	668854R
AMBIENT SENSOR	624780R	624780R	624780R	624780R	624780R	624780R
CAPACITOR	01-0082	01-0083	01-0084	01-0085	01-0273	01-0278
COMPENSATOR TANK	—	—	—	—	669422R	669422R
COMPRESSOR	921421	921422	921425	921427	1017098R	921466
COMPRESSOR MOLDED PLUG	634660R	634660R	634660R	634660R	634660R	634660R
CONTACTOR	1014863R	1014863R	1014863R	1014863R	1014863R	1014864R
CRANKCASE HEATER	632410R	632410R	632410R	632410R	632410R	632410R
DEFROST BOARD	1016567R	1016567R	1016567R	1016567R	1016567R	1016567R
DEFROST SENSOR	624793	624793	624793	624793	624793	624793
DISTRIBUTOR	664717R	664717R	664717R	664718R	664719R	664719R
FILTER DRIER	669762R	669762R	669762R	669762R	669761R	669761R
HIGH PRESSURE SWITCH	632473R	632473R	632473R	632473R	632473R	632473R
MUFFLER	669546R	669546R	669546R	669546R	669546R	669546R
OUTDOOR COIL	2C3321RD	2C3291RD	2C3301RD	2C3331RD	2C3311RD	2C3341RD
OUTDOOR COIL GUARD	2B6603R	—	2B6605R	2B6606R	2B6605R	2B6606R
OUTDOOR FAN BLADE	1024013R	1024013R	1024013R	1024013R	1024013R	1024013R
OUTDOOR FAN GRILLE	669335R	669335R	669335R	669335R	669335R	669335R
OUTDOOR FAN MOTOR	622080	622080	622080	622080	622066	622066
REFRIGERANT VALVE (LG)	663864R	663864R	663864R	663865R	663865R	663865R
REFRIGERANT VALVE (SM)	664850R	664850R	664850R	664850R	664850R	664850R
REVERSING VALVE	669465R	669465R	669465R	M0079102	M0079102	M0079102
REVERSING VALVE COIL	669470R	669470R	669470R	669937R	669937R	669937R
SWIVEL NUT CONNECTOR	664194R	664194R	664194R	664194R	664194R	664194R
TOP PAN	496162R	496162R	496162R	496162R	496162R	496162R

Please specify the correct Model No., Serial No., and part number(s) when ordering parts from the nearest authorized dealer or service center.

To replace a restrictor for the outdoor or indoor unit, refer to the Quick Reference Data document that came with the unit to determine the size of the restrictor. The part number scheme for restrictors is "664" and three decimal places of the size of the restrictor. For example, a 0.042" restrictor part number would be 664042.

