

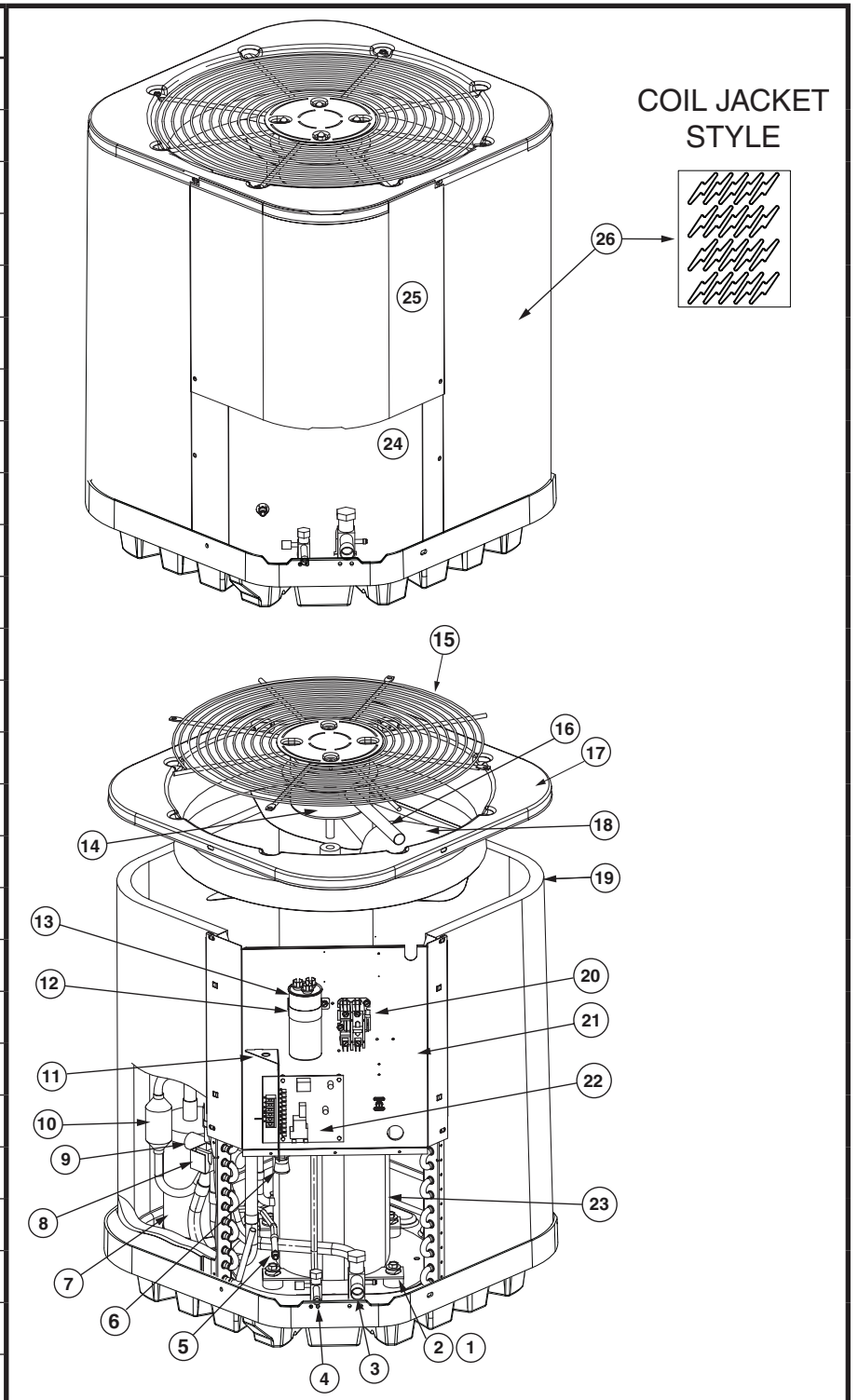
REPLACEMENT PARTS LIST

LIGHT COMMERCIAL SPLIT SYSTEM HEAT PUMP

JT4BD-C SERIES

3-PHASE, 13 SEER MODELS

ITEM #	COMPONENT
1	COMPRESSOR BOLT
2	COMPRESSOR GROMMET
3	REFRIGERANT VALVE (LG)
4	REFRIGERANT VALVE (SM)
5	SHRADER VALVE
6	SWIVEL CONNECTOR
7	ACCUMULATOR
8	REVERSING VALVE COIL
9	REVERSING VALVE
10	MUFFLER
11	LOW VOLTAGE DIVIDER
12	CAPACTIOR STRAP
13	CAPACITOR
14	OUTDOOR FAN MOTOR
15	OUTDOOR FAN GRILLE
16	MOTOR WIRE CONDUIT
17	TOP PAN </td
18	OUTDOOR FAN BLADE
19	OUTDOOR COIL
20	CONTACTOR
21	CONTROL BOX
22	DEFROST BOARD
23	COMPRESSOR
24	ACCESS PANEL
25	CONTROL BOX COVER
26	OUTDOOR COIL GUARD



JT4BD-C SERIES SPLIT SYSTEM HEAT PUMP, 3-PHASE, 13 SEER MODELS

COMPONENT	JT4BD-036C	JT4BD-048C	JT4BD-060C
	919671J	919672J	919673J
ACCESS PANEL	274016R	274016R	274016R
ACCUMULATOR	668794R	668854R	668854R
CAPACITOR	01-0021	01-0023	01-0023
COMPENSATOR TANK		669422R	669422R
COMPRESSOR	919609	919610	919611
COMPRESSOR GROMMET	668530R	668530R	668530R
COMPRESSOR MOLDED PLUG	634692R	634692R	634692R
CONTACTOR	621667R	621667R	621667R
CRANKCASE HEATER	632410R	632410R	632410R
DEFROST BOARD	917178A	917178A	917178A
DEFROST SENSOR	626491R	626491R	626491R
DISTRIBUTOR (ONE PIECE) ** (FOR UNITS PRODUCED ON OR AFTER JUNE 1 2012)	664718R	664719R	664719R
DISTRIBUTOR (TWO PIECES) (FOR UNITS PRODUCED BEFORE MAY 31 2012)	663581R	663582R	663582R
FILTER DRIER	669762R	669761R	669761R
HIGH PRESSURE SWITCH	632473R	632473R	632473R
MOTOR WIRE CONDUIT	664290	664290	664290
MUFFLER	669546R	669546R	669546R
OUTDOOR COIL, w/ 1 PC. DISTRIBUTOR** (FOR UNITS PRODUCED ON OR AFTER JUNE 1 2012)	2C3331RD	2C3341RD	2C3341RD
OUTDOOR COIL, w/ 2 PC. DISTRIBUTOR (FOR UNITS PRODUCED BEFORE MAY 31 2012)	2B6001RD	2B6041RD	2B6041RD
OUTDOOR COIL GUARD	2B6606R	2B6606R	2B6606R
OUTDOOR FAN BLADE	1024013R	1024013R	1024013R
OUTDOOR FAN GRILLE	669335R	669335R	669335R
OUTDOOR FAN MOTOR	622080	622066	622066
REFRIGERANT VALVE (LG)	663865R	663865R	663865R
REFRIGERANT VALVE (SM)	664850R	664850R	664850R
REVERSING VALVE	M0079102	M0079102	M0079102
REVERSING VALVE COIL	669937R	669937R	669937R
SCHRADER FITTING	664423	664423	664423
SWIVEL NUT CONNECTOR†	664194R	664194R	664194R
VALVE CORE	662103R	662103R	662103R

Please specify the correct Model No., Serial No., and part number(s) when ordering parts from the nearest authorized dealer or service center.

To replace a restrictor for the outdoor or indoor unit, refer to the Quick Reference Data document that came with the unit to determine the size of the restrictor. The part number scheme for restrictors is "664" and three decimal places of the size of the restrictor. For example, a 0.042" restrictor part number would be 664042.

**Units built after 6/1/2012 have a different distributor and liquid valve and the outdoor restrictor is inside of the liquid service valve.

† This part is only needed if replacing a two piece distributor.

