

## REPLACEMENT PARTS LIST

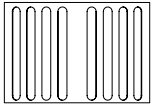
SPLIT SYSTEM AIR CONDITIONER FOR MANUFACTURED HOUSING

HSA1BD4M1S SERIES

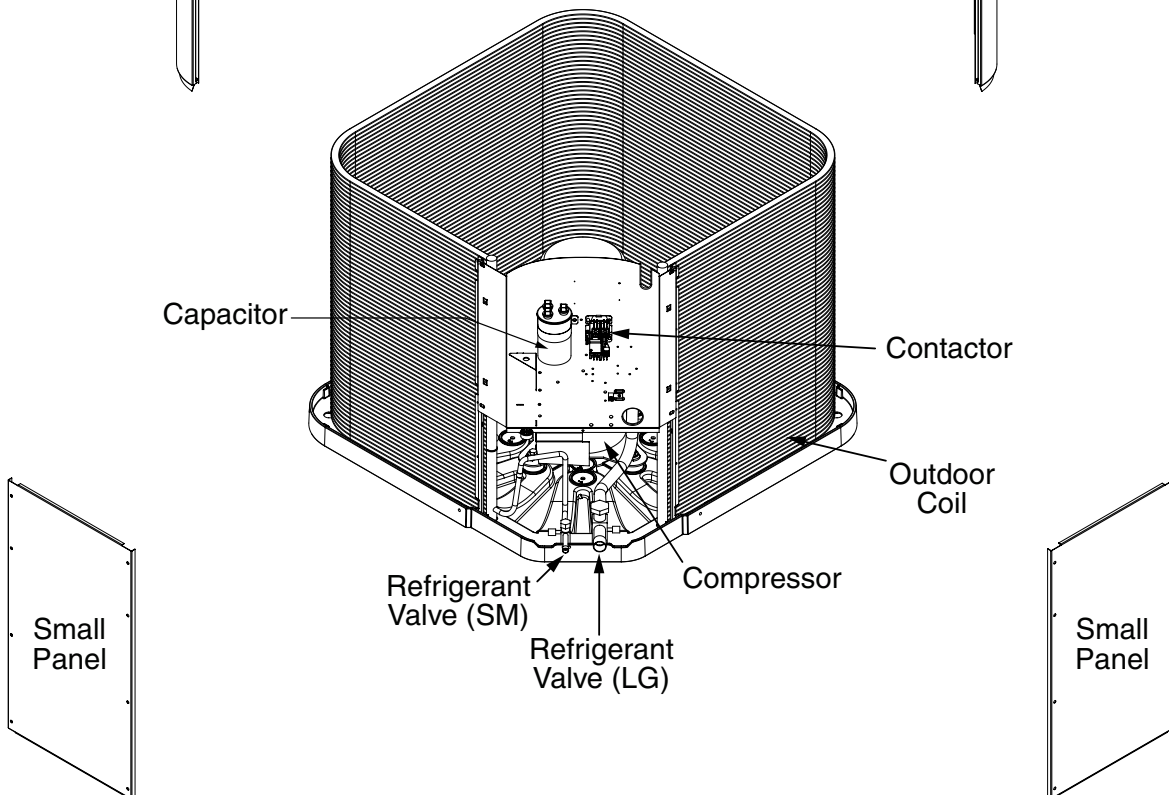
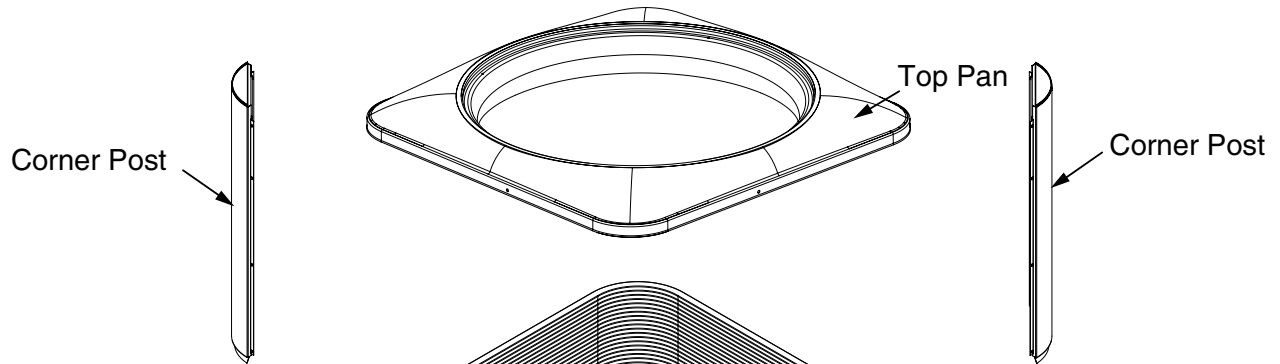
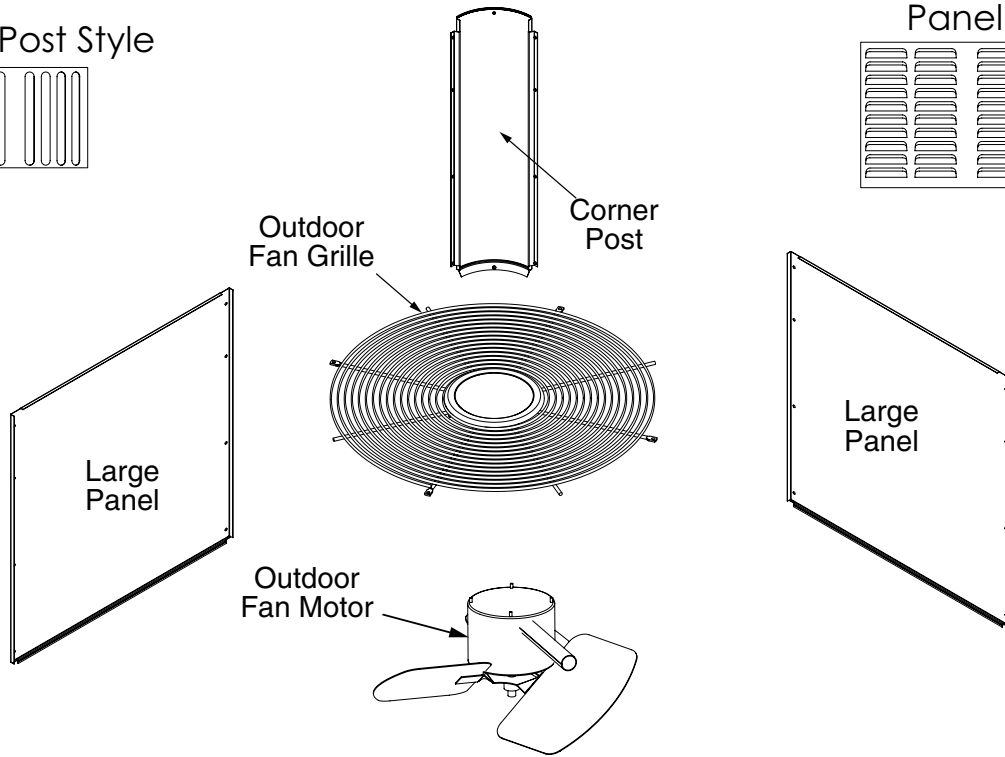
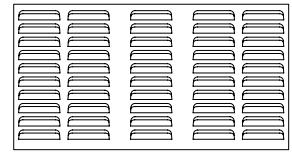
13 SEER MODELS



Corner Post Style



Panel Style



## HSA1BD4M1S SPLIT SYSTEM AIR CONDITIONER FOR MANUFACTURED HOUSING

DESCRIPTION	HSA1BD4M1SN18K	HSA1BD4M1SN24K	HSA1BD4M1SN30K	HSA1BD4M1SN36K	HSA1BD4M1SN42K	HSA1BD4M1SN48K	HSA1BD4M1SN60K
	1014200H	1014201H	1014202H	1014203H	1014204H	1014205H	1014206H
CAPACITOR	01-0262	01-0084	01-0084	01-0271	01-0273	01-0278	01-0278
COMPRESSOR	1018450R	921423	921425	921427	1017098R	921466	921467
COMPRESSOR MOLDED PLUG	634660R	634660R	634660R	634660R	634660R	634660R	634660R
CONTACTOR	1014863R	1014863R	1014863R	1014863R	1014863R	1014864R	1014865R
CORNER POST	101472201R	101472201R	101472202R	101472202R	101472202R	101472202R	101472203R
FILTER DRIER	669764R	669764R	669764R	669764R	669764R	669764R	669764R
HIGH PRESSURE SWITCH	632473R	632473R	632473R	632473R	632473R	632473R	632473R
LARGE PANELS	101380301R	101380301R	—	—	—	—	101074203R
OUTDOOR COIL	1009902R	1009902R	1009900R	1009900R	1009903R	1009903R	1009907R
OUTDOOR FAN BLADE	667392R	667261R	667261R	667396R	1024013R	1024013R	1024013R
OUTDOOR FAN GRILLE	669592R	669592R	669592R	669592R	669591R	669591R	669591R
OUTDOOR FAN MOTOR	621952	621919	621919	621917	622066	622066	622066
REFRIGERANT VALVE (LG)	663864R	663864R	663864R	663864R	663865R	663865R	663865R
REFRIGERANT VALVE (SM)	663862R	663862R	663862R	663862R	663862R	663862R	663862R
SMALL PANELS	—	—	—	—	—	—	101074403R
TOP PAN	101609101R	101609101R	101609101R	101609101R	101609001R	101609001R	101609001R

Please specify the correct Model No., Serial No., and part number(s) when ordering parts from the nearest authorized dealer or service center.

