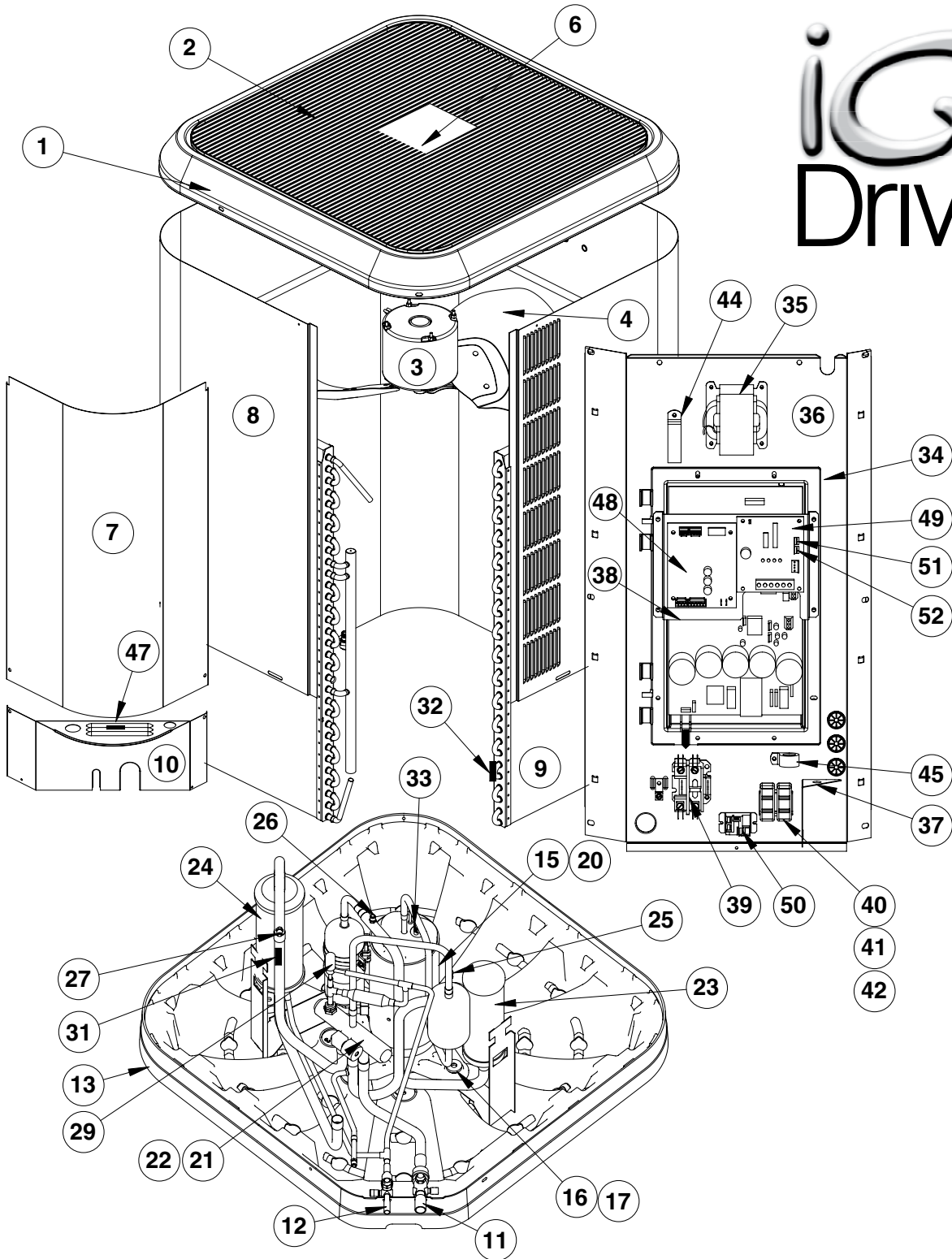


# REPLACEMENT PARTS LIST

## Residential Split System Heat Pump FT4BI Series

**iQ**  
Drive®



## FT4BI Series iQDrive Residential Split System Heat Pump

ITEM	DESCRIPTION	FT4BI-024K	FT4BI-036K	FT4BI-048K
1	Top Pan	284721	284721	284721
2	Fan Grille	669601	669601	669601
3	Fan Motor	622445	622445	622445
4	Fan Blade	667407R	667407R	667407R
5	Fan Motor wire conduit (not shown)	664290	664290	664290
6	Nut, double thick	606260	606260	606260
7	Control Panel Cover	286630	286630	286630
8	Coil Guard (formed)	277534R	277535R	277536R
9	Outdoor Coil (formed)	2B2952R	2B2953R	2B2954R
10	Access Panel	286641	286642	286643
11	Refrigerant Valve (vapor)	663992	663963	663963
12	Refrigerant Valve (liquid)	664357	664357	664357
13	Bottom Pan	669485	669485	669485
14	Filter Drier (not shown)	669378	669378	669378
15	Compressor	622185	622186	622186
16	Grommet, Compressor Mount	669416	669416	669416
17	Bolt, Compressor	600428	600428	600428
18	Blanket, Compressor (not shown)	690333	690334	690334
19	Blanket, Compressor Base (not shown)	689975	689975	689975
20	Crankcase Heater	632538	632538	632538
21	Reversing (4-way) Valve	669465	669936	669936
22	Reversing Valve Coil and Wiring Harness	632606	669937	669937
23	Accumulator	669832	669833	669833
24	Compensator Tank	669831	669422	669422
25	High Pressure Switch	632607	632607	632607
26	Low Pressure Switch	632590	632590	632590
27	Pressure Transducer	624692	624692	624692
28	Pressure Transducer Cable (not shown)	634714	634714	634714
29	EXV and Check Valve Assy	2B9391R	2B9391R	2B9392R
30	EXV Coil and Wire Harness (not shown)	669760	669760	669759
31	Temperature Sensor, Suction Line (EXV)	626573	626573	626573
32	Temperature Sensor, Outdoor Coil	624702	624702	624702
33	Temperature Sensor, Compr Discharge	624662	624662	624662
34	Inverter Drive	920995	920996	920997
35	Inverter Reactor	622191	622191	622191
36	Control Panel (sheet metal only)	2B0921	2B0921	2B0921
37	Low Voltage Divider	2B0961	2B0961	2B0961
38	Circuit Board Mounting Plate	2A0261	2A0261	2A0261
39	Contactora	621662	621662	621662
40	Fuse Cube	632455	632455	632455
41	Fuse Cube Holder	632465	632465	632465
42	Bracket, Fuse Mount	290170	290170	290170
43	Core Ring, Thermistors (not shown)	632463	632463	632463
44	Core Ring, Compressor wires	632469	632469	632469
45	Core Ring, Low Voltage wires	632469	632469	632469
46	Low Pressure Switch Harness (not shown)	634762	634762	634762
47	Temperature Sensor, Outdoor Air	624661	624661	624661
48	EXV Circuit Board	624754	624754	624754
49	Interface Circuit Board	624732	624732	624732
50	Crankcase Heater Relay	632551	632551	632551
51	Communication wire harness (to field wiring)	634763	634763	634763
52	Communication wire harness (to inverter)	634734	634734	634734

Please specify the correct Model No. , Serial No., and part number(s) when ordering parts from the nearest authorized Dealer or Service Center.

