

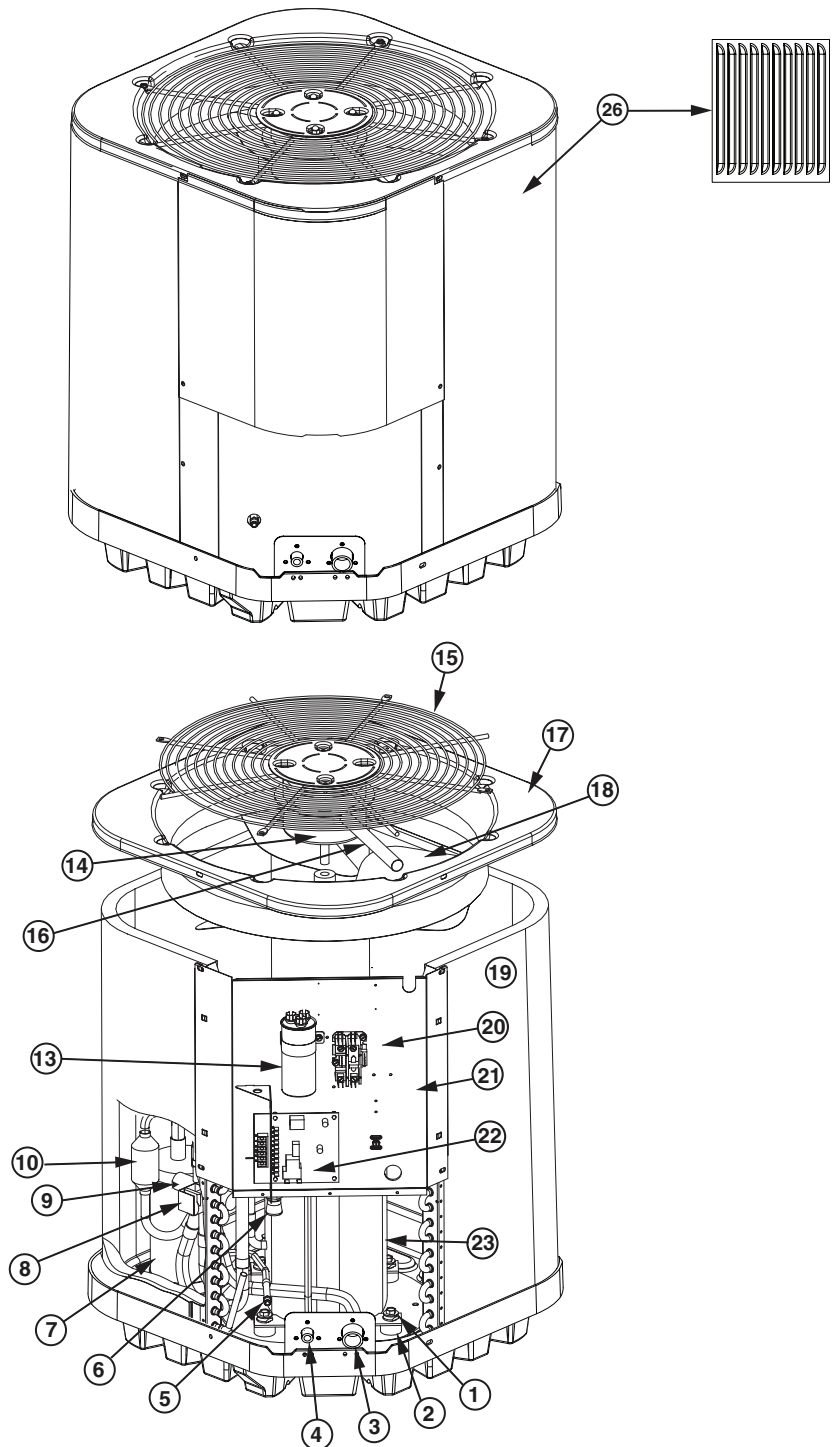
REPLACEMENT PARTS LIST

MANUFACTURED HOUSING SPLIT SYSTEM HEAT PUMP

ET4QD SERIES

13 SEER MODELS

ITEM #	COMPONENT
1	COMPRESSOR BOLT
2	COMPRESSOR GROMMET
3	REFRIGERANT VALVE (LG)
4	REFRIGERANT VALVE (SM)
5	SHRADER VALVE
6	SWIVEL CONNECTOR
7	ACCUMULATOR
8	REVERSING VALVE COIL
9	REVERSING VALVE
10	MUFFLER
11	CAPACITOR
12	OUTDOOR FAN MOTOR
13	OUTDOOR FAN GRILLE
14	MOTOR WIRE CONDUIT
15	TOP PAN </td
16	OUTDOOR FAN BLADE
17	OUTDOOR COIL
18	CONTACTOR
19	DEFROST BOARD
20	COMPRESSOR
21	OUTDOOR COIL GUARD



ET4QD SERIES MANUFACTURED HOUSING SPLIT SYSTEM HEAT PUMP

DESCRIPTION	ET4QD-024KA	ET4QD-030KA	ET4QD-036KA	ET4QD-042K	ET4QD-048K	ET4QD-060K
	921676E	921677E	921678E	920685E	920686E	920687E
ACCUMULATOR	668853R	668853R	668794R	668854R	668854R	668854R
CAPACITOR	01-0083	01-0084	01-0085	01-0273	01-0278	01-0279
COMPENSATOR TANK	—	—	—	669422	669422	669422
COMPRESSOR	921422	921425	921427	1017098R	921466	921468
COMPRESSOR GROMMET	668530	668530	668530	668530	668530	668530
COMPRESSOR MOLDED PLUG	634660R	634660R	634660R	634660R	634660R	634660R
CONTACTOR	624712	624712	624712	624712	624713	624714
CRANKCASE HEATER	632410	632410	632410	632410	632410	632410
DEFROST BOARD	917178A	917178A	917178A	917178A	917178A	917178A
DEFROST SENSOR	626491R	626491R	626491R	626491R	626491R	626491R
DISTRIBUTOR	663579R	663579R	663581R	663582R	663582R	663582R
FILTER DRIER	669762	669762	669762	669762	669762	669762
HIGH PRESSURE SWITCH	632473R	632473R	632473R	632473R	632473R	632473R
MOTOR WIRE CONDUIT	664290	664290	664290	664290	664290	664290
MUFFLER	669546R	669546R	669546R	669546R	669546R	669546R
NUT	606261R	606261R	606261R	606261R	606261R	606261R
OUTDOOR COIL	499532RD	499533RD	2B6001RD	499535RD	2B6041RD	2B6041RD
OUTDOOR COIL GUARD	277534R	—	277536R	—	277536R	277536R
OUTDOOR FAN BLADE	667383	667383	667383	667383	667383	667383
OUTDOOR FAN GRILLE	669335R	669335R	669335R	669335R	669335R	669335R
OUTDOOR FAN MOTOR	622080	622080	622080	622066	622066	622066
OUTDOOR THERMOSTAT	626520R	626520R	626520R	626520R	626520R	626520R
REFRIGERANT VALVE (LG)	664478	664478	664479	664479	664479	664479
REFRIGERANT VALVE (SM)	664477	664477	664477	664477	664477	664477
REVERSING VALVE	669465R	669465R	M0079102	M0079102	M0079102	M0079102
REVERSING VALVE COIL	669470R	669470R	669937R	669937R	669937R	669937R
SCHRADER FITTING	664423	664423	664423	664423	664423	664423
SWIVEL CONNECTOR	664194R	664194R	664194R	664194R	664194R	664194R
TOP PAN	496162R	496162R	496162R	496162R	496162R	496162R

Please specify the correct Model No., Serial No., & part number(s) when ordering parts from the nearest authorized dealer or service center.

To replace a restrictor for the outdoor or indoor unit, refer to the Quick Reference Data document that came with your unit to determine the size of the restrictor. The part number scheme for restrictors is "664" and three decimal places of the size of the restrictor. For example, a 0.042" restrictor part number would be 664042.

