

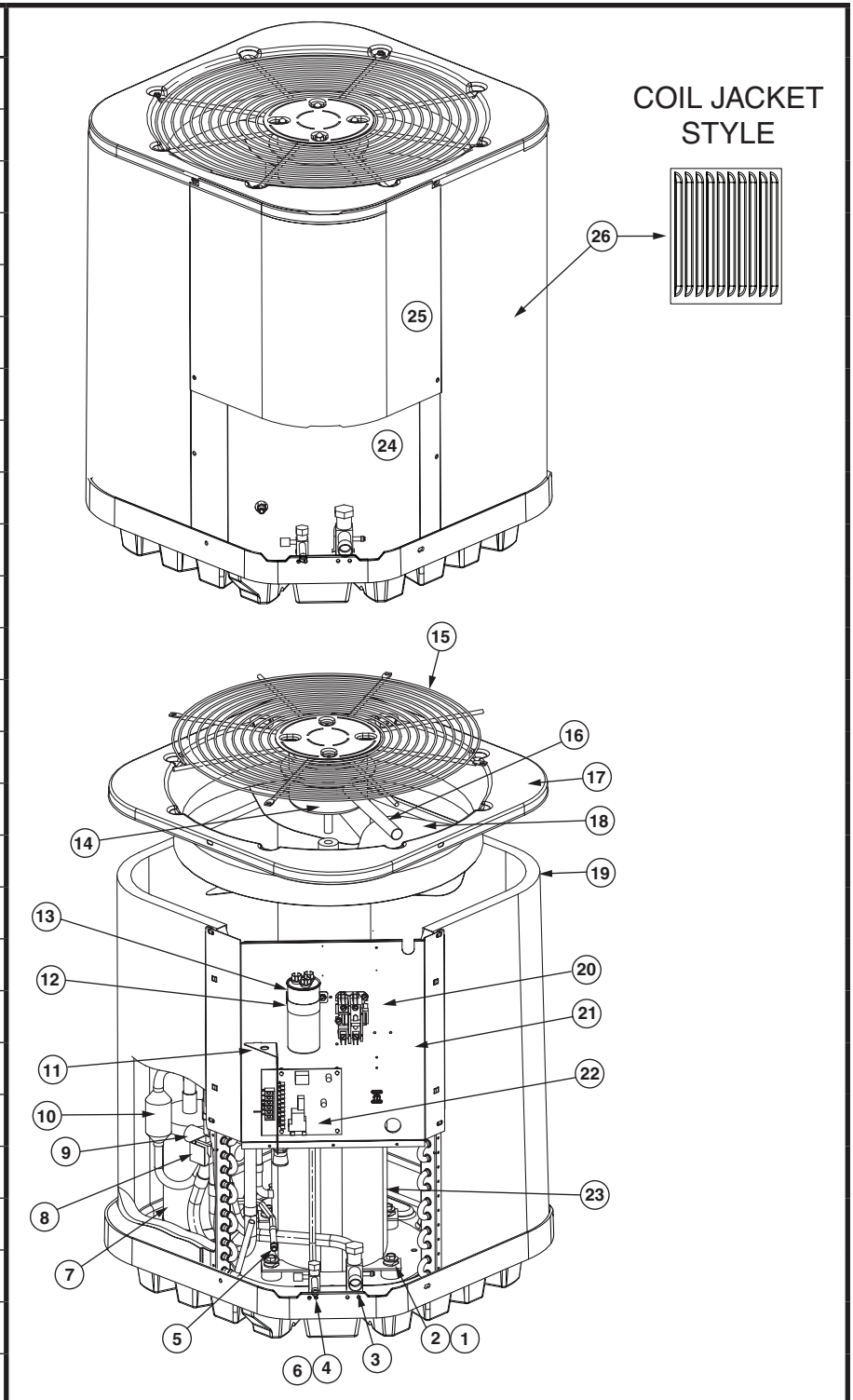
REPLACEMENT PARTS LIST

RESIDENTIAL SPLIT SYSTEM HEAT PUMP

ET4BE SERIES

14 SEER MODELS

ITEM #	COMPONENT
1	COMPRESSOR BOLT
2	COMPRESSOR GROMMET
3	REFRIGERANT VALVE (LG)
4	REFRIGERANT VALVE (SM)
5	SHRADER VALVE
6	SWIVEL CONNECTOR
7	ACCUMULATOR
8	REVERSING VALVE COIL
9	REVERSING VALVE
10	MUFFLER
11	LOW VOLTAGE DIVIDER
12	CAPACITOR STRAP
13	CAPACITOR
14	OUTDOOR FAN MOTOR
15	OUTDOOR FAN GRILLE
16	MOTOR WIRE CONDUIT
17	TOP PAN </td
18	OUTDOOR FAN BLADE
19	OUTDOOR COIL
20	CONTACTOR
21	CONTROL BOX
22	DEFROST BOARD
23	COMPRESSOR
24	ACCESS PANEL
25	CONTROL BOX COVER
26	OUTDOOR COIL GUARD



ET4BE SERIES RESIDENTIAL SPLIT SYSTEM HEAT PUMP

COMPONENT	ET4BE-018K	ET4BE-024K	ET4BE-030K	ET4BE-036K	ET4BE-042K	ET4BE-048K	ET4BE-060K
	919660E	919661E	919662E	919663E	919664E	919665E	919666E
ACCESS PANEL	274016R	274016R	274016R	274016R	274016R	274016R	274016R
ACCUMULATOR	668853	668853	668853	668794	668854	668854	668854
CAPACITOR	01-0082	01-0083	01-0084	01-0085	01-0273	01-0271	01-0279
COMPENSATOR TANK	—	—	—	—	669422	669422	669422
COMPRESSOR	921421	921422	921424	921426	1017098R	921465	921468
COMPRESSOR GROMMET	668530	668530	668530	668530	668530	668530	668530
COMPRESSOR MOLDED PLUG	634660R	634660R	634660R	634660R	634660R	634660R	634660R
CONTACTOR	624712	624712	624712	624712	624713	624713	624714
CONTROL BOX	2C3551	2C3551	2C3551	2C3551	2C3551	2C3551	2C3551
CONTROL BOX COVER	276921	276921	276921	276921	276921	276921	276921
CRANKCASE HEATER	632410	632410	632410	632410	632410	632410	632410
DEFROST BOARD	917178A	917178A	917178A	917178A	917178A	917178A	917178A
DEFROST SENSOR	626491R	626491R	626491R	626491R	626491R	626491R	626491R
DISTRIBUTOR (ONE PIECE) ** (FOR UNITS PRODUCED ON OR AFTER JUNE 1 2012)	664718R	664718R	664718R	664718R	664719R	664719R	664719R
DISTRIBUTOR (TWO PIECES) (FOR UNITS PRODUCED BEFORE MAY 31 2012)	663581R	663581R	663581R	663581R	663582R	663582R	663582R
FILTER DRIER	669762	669762	669762	669762	669761	669761	669761
HIGH PRESSURE SWITCH	632473R	632473R	632473R	632473R	632473R	632473R	632473R
MOTOR WIRE CONDUIT	664290	664290	664290	664290	664290	664290	664290
MUFFLER	669546R	669546R	669546R	669546R	669546R	669546R	669546R
OUTDOOR COIL, w/ 1 PC. DISTRIBUTOR** (FOR UNITS PRODUCED ON OR AFTER JUNE 1 2012)	2C3331RD	2C3331RD	2C3331RD	2C3331RD	2C3341RD	2C3341RD	2C3341RD
OUTDOOR COIL, w/ 2 PC. DISTRIBUTOR (FOR UNITS PRODUCED BEFORE MAY 31 2012)	2B6001RD	2B6001RD	2B6001RD	2B6001RD	2B6041RD	2B6041RD	2B6041RD
OUTDOOR COIL GUARD	277536R	277536R	277536R	277536R	277536R	277536R	277536R
OUTDOOR FAN BLADE	667383	667383	667383	667383	667383	667383	667383
OUTDOOR FAN GRILLE	669335R	669335R	669335R	669335R	669335R	669335R	669335R
OUTDOOR FAN MOTOR	1006724	1006724	1006724	1006724	1006724	622066	622066
REFRIGERANT VALVE (LG)	663864R	663864R	663864R	663865R	663865R	663865R	663865R
REFRIGERANT VALVE (SM)	664850R	664850R	664850R	664850R	664850R	664850R	664850R
REVERSING VALVE	669465R	669465R	669465R	M0079102	M0079102	M0079102	M0079102
REVERSING VALVE COIL	669470R	669470R	669470R	669937R	669937R	669937R	669937R
SCHRADER FITTING	664423	664423	664423	664423	664423	664423	664423
SWIVEL NUT CONNECTOR†	664194R	664194R	664194R	664194R	664194R	664194R	664194R

Please specify the correct Model No., Serial No., and part number(s) when ordering parts from the nearest authorized dealer or service center.

To replace a restrictor for the outdoor or indoor unit, refer to the Quick Reference Data document that came with your unit to determine the size of the restrictor. The part number scheme for restrictors is "664" and three decimal places of the size of the restrictor. For example, a 0.042" restrictor part number would be 664042.

**Units built after 6/1/2012 have a different distributor and liquid valve and the outdoor restrictor is inside of the liquid service valve.

† This part is only needed if replacing a two piece distributor.

