

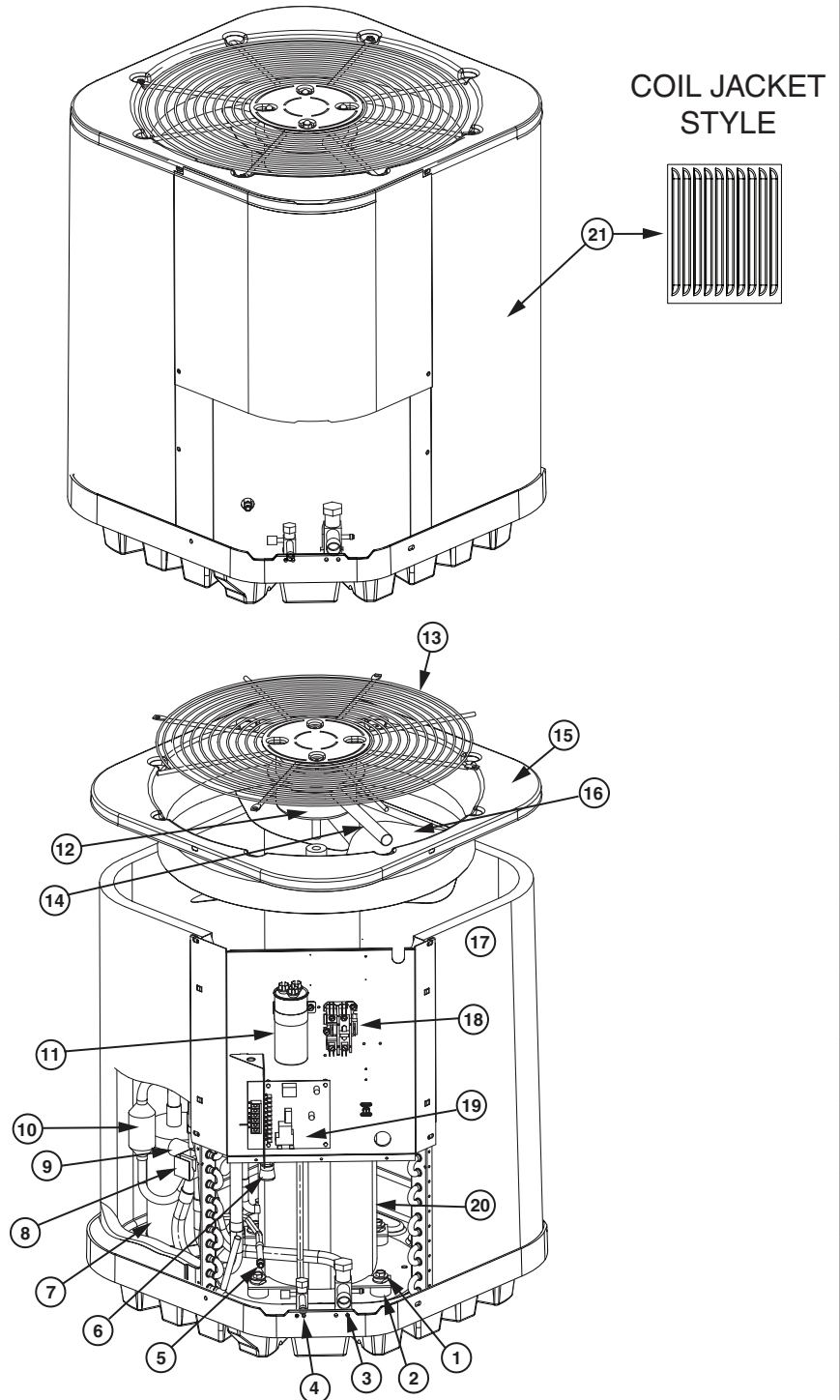
# REPLACEMENT PARTS LIST

## RESIDENTIAL SPLIT SYSTEM HEAT PUMP

### ET4BD SERIES

### 13 SEER MODELS

ITEM #	COMPONENT
1	COMPRESSOR BOLT
2	COMPRESSOR GROMMET
3	REFRIGERANT VALVE (LG)
4	REFRIGERANT VALVE (SM)
5	SHRADER VALVE
6	SWIVEL CONNECTOR
7	ACCUMULATOR
8	REVERSING VALVE COIL
9	REVERSING VALVE
10	MUFFLER
11	CAPACITOR
12	OUTDOOR FAN MOTOR
13	OUTDOOR FAN GRILLE
14	MOTOR WIRE CONDUIT
15	TOP PAN </td
16	OUTDOOR FAN BLADE
17	OUTDOOR COIL
18	CONTACTOR
19	DEFROST BOARD
20	COMPRESSOR
21	OUTDOOR COIL GUARD



# ET4BD SERIES RESIDENTIAL SPLIT SYSTEM HEAT PUMP

DESCRIPTION	ET4BD-018K	ET4BD-024K	ET4BD-030K	ET4BD-036K	ET4BD-042K	ET4BD-048K	ET4BD-060K
	918541E	918542E	918543E	918544E	918545E	918546E	918547E
ACCUMULATOR	668853R	668853R	668853R	668794R	668854R	668854R	668854R
CAPACITOR	01-0082	01-0083	01-0084	01-0085	01-0271	01-0278	01-0279
COMPENSATOR TANK	—	—	—	—	669422	669422	669422
COMPRESSOR	921421	921422	921425	921427	1017098R	921466	921468
COMPRESSOR GROMMET	668530R	668530R	668530R	668530R	668530R	668530R	668530R
COMPRESSOR MOLDED PLUG	634660R	634660R	634660R	634660R	634660R	634660R	634660R
CONTACTOR	1014863R	1014863R	1014863R	1014863R	1014863R	624713R	1014865R
CRANKCASE HEATER	632410R	632410R	632410R	632410R	632410R	632410R	632410R
DEFROST BOARD	917178A	917178A	917178A	917178A	917178A	917178A	917178A
DEFROST SENSOR	626491R	626491R	626491R	626491R	626491R	626491R	626491R
DISTRIBUTOR (ONE PIECE) ** (FOR UNITS PRODUCED ON OR AFTER JUNE 1 2012)	664717R	664717R	664717R	664718R	664719R	664719R	664719R
DISTRIBUTOR (TWO PIECES) (FOR UNITS PRODUCED BEFORE MAY 31 2012)	663579R	663579R	663579R	663581R	663582R	663582R	663582R
FILTER DRIER	669762R	669762R	669762R	669762R	669761R	669761R	669761R
HIGH PRESSURE SWITCH	632473R	632473R	632473R	632473R	632473R	632473R	632473R
LOW PRESSURE SWITCH	632393R	632393R	632393R	632393R	632393R	632393R	632393R
MOTOR WIRE CONDUIT	664290	664290	664290	664290	664290	664290	664290
MUFFLER	669546R	669546R	669546R	669546R	669546R	669546R	669546R
NUT	606261R	606261R	606261R	606261R	606261R	606261R	606261R
OUTDOOR COIL, w/ 1 PC. DISTRIBUTOR** (FOR UNITS PRODUCED ON OR AFTER JUNE 1 2012)	2C3321RD	2C3291RD	2C3301RD	2C3331RD	2C3311RD	2C3341RD	2C3341RD
OUTDOOR COIL, w/ 2 PC. DISTRIBUTOR (FOR UNITS PRODUCED BEFORE MAY 31 2012)	499539RD	499532RD	499533RD	2B6001RD	499535RD	2B6041RD	2B6041RD
OUTDOOR FAN BLADE	1024013R	1024013R	1024013R	1024013R	1024013R	1024013R	1024013R
OUTDOOR FAN GRILLE	669335R	669335R	669335R	669335R	669335R	669335R	669335R
OUTDOOR FAN MOTOR	622080	622080	622080	622080	622066	622066	622066
REFRIGERANT VALVE (LG)	663864R	663864R	663864R	663865R	663865R	663865R	663865R
REFRIGERANT VALVE (SM)	664850R	664850R	664850R	664850R	664850R	664850R	664850R
REVERSING VALVE	669465R	669465R	669465R	M0079102R	M0079102R	M0079102R	M0079102R
REVERSING VALVE COIL	669470R	669470R	669470R	669937R	669937R	669937R	669937R
SCHRADER FITTING	664423	664423	664423	664423	664423	664423	664423
SWIVEL NUT CONNECTOR†	664194R	664194R	664194R	664194R	664194R	664194R	664194R

Please specify the correct Model No., Serial No., and part number(s) when ordering parts from the nearest authorized dealer or service center.

To replace a restrictor for the outdoor or indoor unit, refer to the Quick Reference Data document that came with the unit to determine the size of the restrictor. The part number scheme for restrictors is "664" and three decimal places of the size of the restrictor. For example, a 0.042" restrictor part number would be 664042.

\*\*Units built after 6/1/2012 have a different distributor and liquid valve and the outdoor restrictor is inside of the liquid service valve.

† This part is only needed if replacing a two piece distributor.

