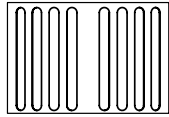


REPLACEMENT PARTS LIST

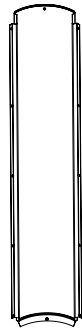
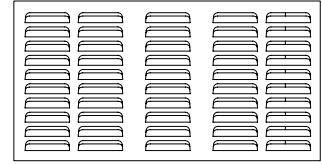
**RESIDENTIAL SPLIT SYSTEM HEAT PUMP
ESH1BE4M1S SERIES
14 SEER MODELS**



Corner Post Style

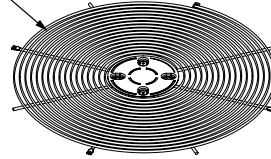


Panel Style

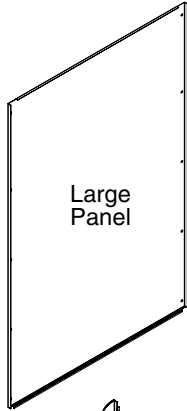
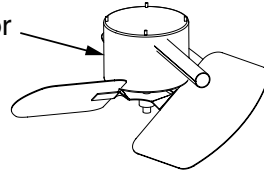


Corner Post

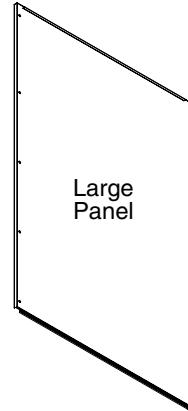
Outdoor Fan Grille



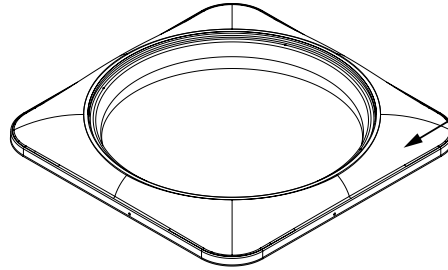
Outdoor Fan Motor



Large Panel



Large Panel

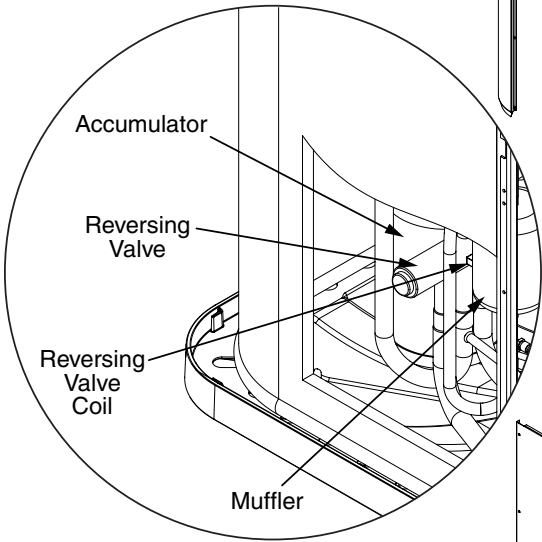


Top Pan

Corner Post



Corner Post

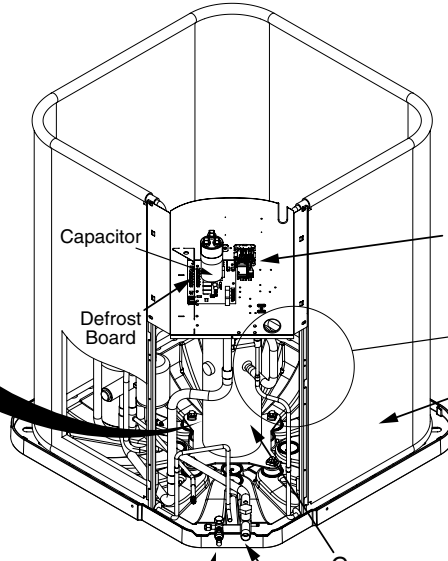


Accumulator

Reversing Valve

Reversing Valve Coil

Muffler



Capacitor

Defrost Board

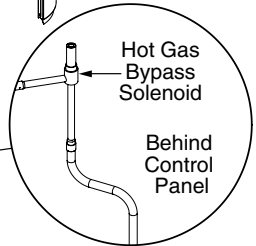
Contactor

Outdoor Coil

Compressor

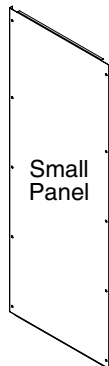
Refrigerant Valve (SM)

Refrigerant Valve (LG)

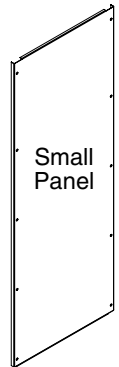


Hot Gas Bypass Solenoid

Behind Control Panel



Small Panel



Small Panel

ESH1BE4M1S RESIDENTIAL SPLIT SYSTEM HEAT PUMP

DESCRIPTION	ESH1BE4M1SP18K	ESH1BE4M1SP24K	ESH1BE4M1SP30K	ESH1BE4M1SP36K	ESH1BE4M1SP42K	ESH1BE4M1SP48K	ESH1BE4M1SP60KA
	1014240E	1014241E	1014242E	1014243E	1014244E	1014245E	1027044E
ACCUMULATOR	668853R	668853R	668853R	668794R	668854R	668854R	668854R
AMBIENT SENSOR	624780	624780	624780	624780	624780	624780	624780
CAPACITOR	01-0082	01-0083	01-0084	01-0085	01-0273	01-0271	01-0278
COMPRESSOR	922114	921422	921424	921426	1017098R	921465	922461
COMPRESSOR MOLDED PLUG	634660R	634660R	634660R	634660R	634660R	634660R	634660R
CONTACTOR	1014863R	1014863R	1014863R	1014863R	1014864R	1014864R	1014865R
CORNER POST	101472203R	101472203R	101472205R	101472206R	101472206R	101472206R	101472206R
CRANKCASE HEATER	632410R	632410R	632410R	632410R	632410R	632410R	632410R
DEFROST BOARD	1016567R	1016567R	1016567R	1016567R	1016567R	1016567R	1016567R
DEFROST SENSOR	624812R	624812R	624812R	624812R	624812R	624812R	624812R
FILTER DRIER	669762R	669762R	669762R	669762R	669761R	669761R	669761R
HIGH PRESSURE SWITCH	632473R	632473R	632473R	632473R	632473R	632473R	632473R
HOT GAS BYPASS COIL	669992R	669992R	669992R	669992R	669992R	669992R	669992R
HOT GAS BYPASS VALVE	669964R	669964R	669964R	669965R	669965R	669965R	669965R
LARGE PANELS	101074203R	101074203R	101074205R	101074206R	101074206R	101074206R	101074206R
LOW PRESSURE SWITCH	1023983R	1023983R	1023983R	1023983R	1023983R	1023983R	1023983R
MUFFLER	669546R	669546R	669546R	669546R	669546R	669546R	669546R
OUTDOOR COIL	664905R	664905R	664906R	664907R	664908R	664908R	664909R
OUTDOOR FAN BLADE	1024013R	1024013R	1024013R	1024013R	1024013R	1024013R	1024013R
OUTDOOR FAN GRILLE	669591R	669591R	669591R	669591R	669591R	669591R	669591R
OUTDOOR FAN MOTOR	622171	622171	622171	622080	622066	622066	1006724
REFRIGERANT VALVE (LG)	663864R	663864R	663864R	663865R	663865R	663865R	663865R
REFRIGERANT VALVE (SM)	664850R	664850R	664850R	664850R	664850R	664850R	664850R
REVERSING VALVE	669465R	669465R	669465R	1013956R	1013956R	1013956R	1013956R
REVERSING VALVE COIL	669470R	669470R	669470R	669470R	669470R	669470R	669470R
SMALL PANELS	101074403R	101074403R	101074405R	101074406R	101074406R	101074406R	101074406R
SWIVEL NUT CONNECTOR	624780	624780	624780	624780	624780	624780	624780
TOP CAP	275291R	275291R	275291R	275291R	275291R	275291R	275291R
TOP PAN	101609001R	101609001R	101609001R	101609001R	101609001R	101609001R	101609001R

Please specify the correct Model No., Serial No., and part number(s) when ordering parts from the nearest authorized dealer or service center.

