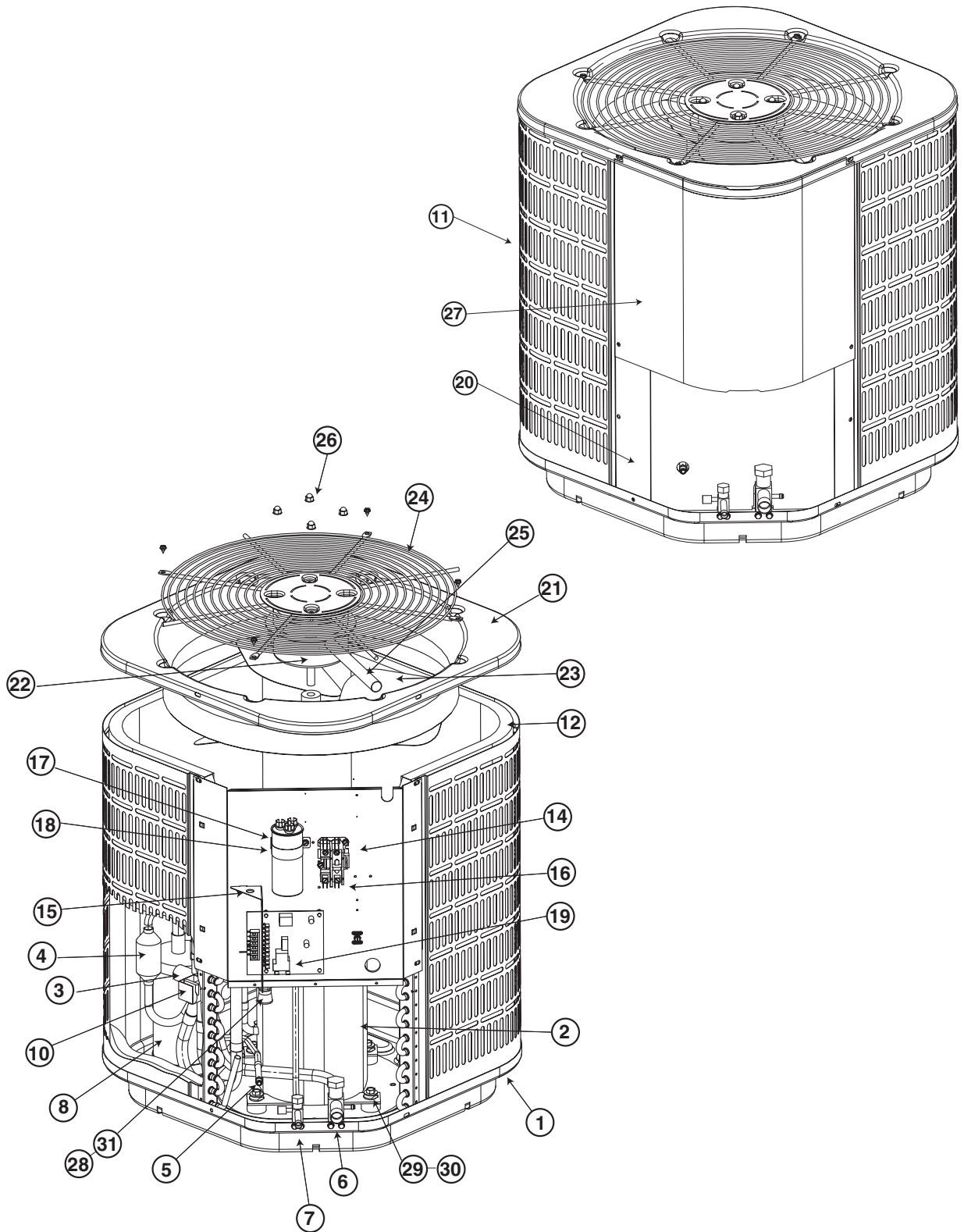


# REPLACEMENT PARTS LIST

## DT3BC-K(A) Series

12 SEER Residential  
Split System Heat Pump



## DT3BC-K(A) Series 12 SEER Residential Split System Heat Pump

| ITEM | DESCRIPTION                                 | DT3BC-K(A) | 018KA   | 024K    | 030K    | 036K    | 042K    | 048K    | 060K    | QTY |
|------|---|------------|---------|---------|---------|---------|---------|---------|---------|-----|
| 1    | Bottom Pan                                  |            | 494480  | 494490  | 494490  | 494490  | 494490  | 494490  | 494490  | 1   |
| 2    | Compressor                                  |            | 914933  | 917950  | 914654  | 914655  | 914656  | 917219  | 914657  | 1   |
| 3    | Reversing Valve                             |            | 668766  | 668767  | 668767  | 668767  | 668769  | 668769  | 668769  | 1   |
| 4    | Muffler                                     |            | 668710  | 668710  | 668710  | 668710  | 668710  | 668710  | 668710  | 1   |
| 5    | Service Valve                               |            | 663621  | 663621  | 663621  | 663621  | 663621  | 663621  | 663621  | 1   |
| 6    | Refrigerant Valve (Large), Base             |            | 663864  | 663864  | 663864  | 663864  | 663865  | 663865  | 663865  | 1   |
|      | Refrigerant Valve, Ball "Effective 8/30/04" |            | -       | -       | -       | -       | -       | -       | 663923  | 1   |
| 7    | Refrigerant Valve (Small), Base             |            | 663862  | 663862  | 663862  | 663862  | 663862  | 663862  | 663862  | 1   |
| 8    | Accumulator                                 |            | 668793  | 668853  | 668853  | 668853  | 668794  | 668854  | 668854  | 1   |
| 9    | Distributor Assembly (Not Shown)            |            | 663913  | 663578  | 663579  | 663579  | 663581  | 663582  | 663584  | 1   |
| 10   | Reversing Valve Coil Assembly               |            | 669341  | 669343  | 669343  | 669343  | 669343  | 669343  | 669343  | 1   |
| 11   | Coil Guard                                  |            | 275682R | 275693  | 275694  | 275695  | 275696  | 275695  | 275696  | 1   |
| 12   | Outdoor Coil (Formed)                       |            | 497289R | 499531R | 499532R | 499533R | 499534R | 499535R | 499536R | 1   |
| 13   | Defrost Thermostat (Not Shown)              |            | 626491  | 626491  | 626491  | 626491  | 626491  | 626491  | 626491  | 1   |
| 14   | Control Box                                 |            | 277361  | 277361  | 277361  | 277361  | 277361  | 277361  | 277361  | 1   |
| 15   | Low Voltage Divider                         |            | 258791  | 258791  | 258791  | 258791  | 258791  | 258791  | 258791  | 1   |
| 16   | Contacto                                    |            | 621661  | 621661  | 621661  | 621661  | 621661  | 621662  | 621665  | 1   |
| 17   | Capacitor                                   |            | 621969  | 620762  | 620763  | 620779  | 621636  | 621841  | 621467  | 1   |
| 18   | Capacitor Strap                             |            | 258781  | 258780  | 258780  | 258780  | 258780  | 258780  | 258780  | 1   |
| 19   | Defrost Control Board                       |            | 917178  | 917178  | 917178  | 917178  | 917178  | 917178  | 917178  | 1   |
| 20   | Access Panel                                |            | 274012  | 274013  | 274014  | 274015  | 274016  | 274015  | 274016  | 1   |
| 21   | Top Pan                                     |            | 496161  | 496162  | 496162  | 496162  | 496162  | 496162  | 496162  | 1   |
| 22   | Condenser Motor                             |            | 621952  | 621911  | 621911  | 621911  | 621912  | 621912  | 621912  | 1   |
|      | Condenser Motor "Effective 8/30/04"         |            | -       | -       | -       | -       | -       | -       | 621990  | 1   |
| 23   | Fan Blade                                   |            | 667315  | 667303  | 667303  | 667303  | 667212  | 667212  | 667212  | 1   |
|      | Fan Blade "Effective 8/30/04"               |            | -       | -       | -       | -       | -       | -       | 667316  | 1   |
| 24   | Fan Grill                                   |            | 669201  | 669202  | 669202  | 669202  | 669202  | 669202  | 669202  | 1   |
| 25   | Wire Conduit                                |            | 258950  | 258951  | 258951  | 258951  | 258951  | 258951  | 258951  | 1   |
| 26   | Nut, Doublethick                            |            | 606260  | 606260  | 606260  | 606260  | 606260  | 606260  | 606260  | 4   |
| 27   | Control Box Cover                           |            | 374260  | 374260  | 374260  | 374260  | 374260  | 374260  | 374260  | 1   |
| 28   | Restrictor (Not Shown)                      |            | 664043  | 664047  | 664051  | 664055  | 664061  | 664065  | 664071  | 1   |
| 29   | Grommet, Compressor                         |            | 668530  | 668530  | 668530  | 668530  | 668530  | 668530  | 668530  | 4   |
| 30   | Bolt, Compressor                            |            | 600400  | 600284  | 600284  | 600284  | 600284  | 600284  | 600284  | 4   |
| 31   | Connector, Swivel                           |            | 663394  | 663394  | 663394  | 663394  | 663394  | 663394  | 663394  | 1   |



708303A

708303A (Replaces 7083030)

Specifications and illustrations subject to change  
without notice and without incurring obligations.  
Printed in U.S.A. (08/04)