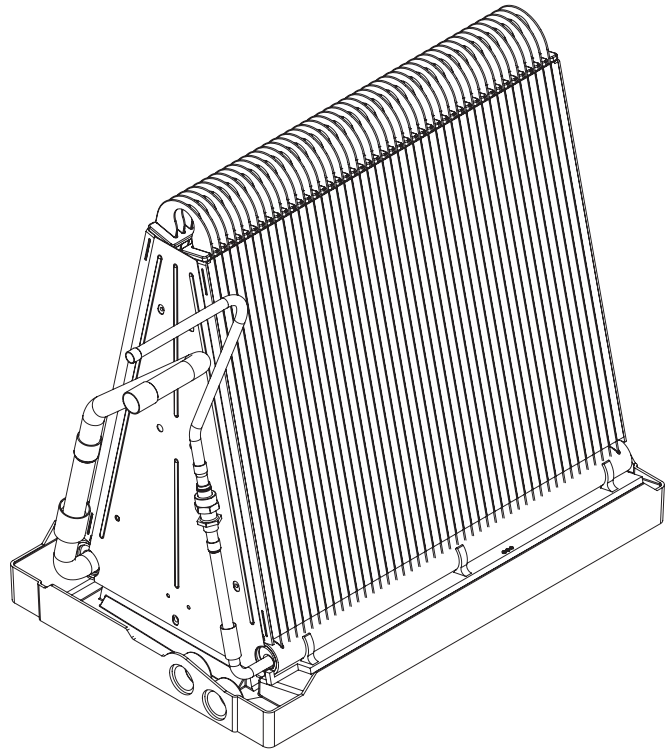


## C74BA & C74BH Series Split System Indoor Cased/Uncased Coils With Orifice

# INSTALLATION INSTRUCTIONS



## IMPORTANT

### **ATTENTION INSTALLERS:**


It is your responsibility to know this product better than your customer. This includes being able to install the product according to strict safety guidelines and instructing the customer on how to operate and maintain the equipment for the life of the product. Safety should always be the deciding factor when installing this product and using common sense plays an important role as well. Pay attention to all safety warnings and any other special notes highlighted in the manual. Improper installation of the furnace or failure to follow safety warnings could result in serious injury, death, or property damage.

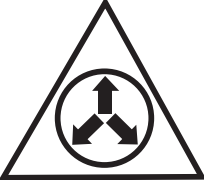
These instructions are primarily intended to assist qualified individuals experienced in the proper installation of this appliance. Some local codes require licensed installation/service personnel for this type of equipment. Please read all instructions carefully before starting the installation. Return these instructions to the customer's package for future reference.

**DO NOT DESTROY. PLEASE READ CAREFULLY & KEEP IN A SAFE PLACE FOR FUTURE REFERENCE.**

## IMPORTANT SAFETY INFORMATION

Please read all instructions before servicing this equipment. Pay attention to all safety warnings and any other special notes highlighted in the manual. Safety markings are used frequently throughout this manual to designate a degree or level of seriousness and should not be ignored. **WARNING** indicates a potentially hazardous situation that if not avoided, could result in personal injury or death. **CAUTION** indicates a potentially hazardous situation that if not avoided, may result in minor or moderate injury or property damage.

 **WARNING:**



NITROGEN	
HEALTH	1
FLAMMABILITY	0
REACTIVITY	0

0 Minimal Hazard    1 Slight Hazard

**C74 coils are pressurized with nitrogen at the factory. Avoid direct face exposure or contact with valve when gas is escaping. Always ensure adequate ventilation is present during the depressurization process. Any uncertainties should be addressed before proceeding.**

### PROPOSITION 65 WARNING:

**WARNING: This product contains chemicals known to the state of California to cause cancer.**

**WARNING: This product contains chemicals known to the state of California to cause birth defects or other reproductive harm.**

### **WARNING:**

**Improper installation, service, adjustment, or maintenance may cause explosion, fire, electrical shock or other hazardous conditions which may result in personal injury or property damage. Unless otherwise noted in these instructions, only factory authorized kits or accessories may be used with this product.**

### **WARNING:**

**This unit must be installed in accordance with the instructions outlined in this manual during the installation, service, and operation of this unit. Unqualified individuals should not attempt to interpret these instructions or install this equipment. If you do not possess mechanical skills or tools, call your local dealer for assistance. Under no circumstances should the equipment owner attempt to install and/or service this equipment. Failure to follow safety recommendations could result in possible damage to the equipment, serious personal injury or death.**

- The installer must comply with all local codes and regulations which govern the installation of this type of equipment. Local codes and regulations take precedence over any recommendations contained in these instructions. Consult local building codes for special installation requirements.
- Familiarize yourself with the controls that shut off the electrical power to the unit. If the unit needs to be shut down for an extended period of time, turn off electrical power at the circuit breaker. For your safety always turn off the electrical power before performing service or maintenance on the unit.
- Installation of equipment may require brazing operations. Installer must comply with safety codes and wear appropriate safety equipment (safety glasses, work gloves, fire extinguisher, etc.) when performing brazing operations.
- Read the Installation Instructions supplied with the furnace or air handler. Always observe all safety requirements outlined in this manual and on the furnace or air handler markings before installing the coil.
- Follow all precautions in the literature, on tags, and on labels provided with the equipment. Read and thoroughly understand the instructions provided with the equipment prior to performing the installation and operational checkout of the equipment.
- Use caution when handling this equipment or removing components. Personal injury can occur from sharp metal edges present in all sheet metal constructed equipment.

## COIL INSTALLATION

### **WARNING:**

#### **ELECTRICAL SHOCK, FIRE OR EXPLOSION HAZARD**

**Failure to follow safety warnings exactly could result in serious injury or property damage.**

**Improper servicing could result in dangerous operation, serious injury, death or property damage.**

- **Before servicing, disconnect all electrical power to the equipment.**
- **When servicing controls, label all wires prior to disconnecting. Reconnect wires correctly.**
- **Verify proper operation after servicing.**

### **CAUTION:**

**The coil must be level to ensure proper condensate drainage. An unlevel installation may result in structural damage, premature equipment failure, or possible personal injury.**

### General Information

C74 Series indoor cased coils are designed for upflow, downflow, or horizontal applications and are equipped with braze type refrigerant connections for easy installation. If a TXV is not installed but required for your application, see [Table 1](#) to determine the proper kit based on tonnage and refrigerant type of the unit.

- Check the coils orifice size and confirm that it's suitable for application with the intended outdoor unit. Depending on application, additional installer supplied orifice or TXV may be required.
- Optional cooling/heating equipment must be properly sized and installed in accordance with the furnace manufacturer's specifications and approved recommendations.
- Heating only furnace air circulators may have to be replaced with multi-speed heating / cooling blowers to upgrade the air delivery (CFM) when an add-on coil is installed. Refer to [Table 3](#), [Table 4](#), or [Table 5](#), (page 8) for coil specifications, recommended CFM, and allowances for pressure drop across the coil and filters.
- Verify that the air delivery of the furnace/air handler is adequate to handle the static pressure drop of the coil, filter, and duct work.
- If precise forming of refrigerant lines is required, a copper tubing bender is recommended. Avoid sharp bends and contact of the refrigerant lines with metal surfaces.
- Refrigerant lines should be wrapped with pressure sensitive neoprene or other suitable material where they pass against sharply edged sheet metal.
- Horizontal installations require a horizontal drain pan kit to be installed. See [Table 3](#), [Table 4](#), or [Table 5](#) for available part numbers.

- Close-off plates are available in some air filter kits. Refer to the Replacement Parts List for available part numbers. Install the necessary close-off plates around the refrigerant lines and drain line where required. Reinstall all inner and outer panels of the furnace/air handler that were previously removed when installing the indoor coil.

### Upflow Installations

1. Disconnect all electrical power to the furnace.
2. Install the coil case on the furnace air discharge opening and level it as needed to ensure proper condensate drainage. If needed, make a plate to adapt the coil to the air discharge opening. See [Figure 5](#) (page 7) for coil dimensions.
3. Make and install the plenum over the coil. Insulate as required.
4. Seal the enclosure as required to minimize air leakage.
5. Connect the refrigerant lines as outlined in the Refrigerant Line Connection section.

### Horizontal Installations

C74BA coils can be installed horizontally, but it is required that the furnace and coil cabinets be securely mounted together before setting in place. A horizontal drain pan kit must also be installed under the coil. Refer to [Table 3](#), [C74BA Uncased Coil Specifications \(Orifice Only\)](#), [Table 4](#), or [Table 5](#) for available part numbers.

### Horizontal Left Installations

1. Disconnect all electrical power to the furnace.
2. Remove the coil access door.
3. Remove the plug and knockout from one of the threaded holes in the horizontal drain pan.

### **CAUTION:**

**The knockout must be removed and discarded to ensure proper condensate drainage. Improper drainage may result in structural damage, premature equipment failure, or possible personal injury.**

4. Install plug (from horizontal drain pan) in the open drain hole in the drain pan at the bottom of the unit. This will block bypass air from entering the system.
5. Remove the drain line knockout from the coil access door. This will allow access to the horizontal drain.
6. Install drain pan extension (if supplied with unit).

	TXV KIT P/N	SIZE OF A.C. OR H.P. (TONS)
R-410A REFRIGERANT	<a href="#">920668A</a>	1.5 or 2
	<a href="#">920669A</a>	2.5
	<a href="#">920670A</a>	3
	<a href="#">920671A</a>	3.5
	<a href="#">920672A</a>	4
	<a href="#">920673A</a>	5

**Table 1. TXV Kit Part Numbers**

**NOTE:** The holes in the drain pan extension should be pressed over the nibs molded into the drain pan. Which pair of holes to use will depend on whether the unit is installed horizontal left or horizontal right. Verify proper positioning for clearance thru the top of the coil cabinet before affixing. The drain pan extension can be installed and removed after the ductwork has been attached to the cased coil.

7. Connect the refrigerant lines as outlined in the Refrigerant Lines Connection section.
8. Seal the enclosure as required to minimize air leakage.
9. Reinstall the coil access door.
10. Restore electrical power to the furnace.

### Horizontal Right Installations

1. Disconnect all electrical power to the furnace.
2. Remove the coil access door.
3. Remove the plug and knockout from one of the threaded holes in the horizontal drain pan.

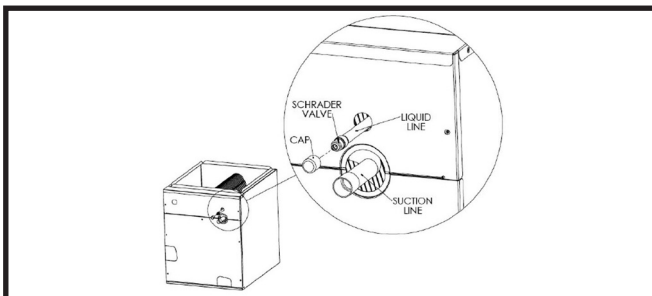
## ⚠ CAUTION:

**The knockout must be removed and discarded to ensure proper condensate drainage. Failure to do so may result in structural damage, premature equipment failure, or possible personal injury.**

4. Place the horizontal drain pan on the opposite side of the coil. **NOTE:** If unit has 2 sets of knockouts, remove the other set of knockouts in the coil spacing plates and insert support rod.
5. Install plug (from horizontal drain pan) in the open drain hole in the drain pan at the bottom of the unit. This will block bypass air from entering the system.
6. Slide the coil and the horizontal drain pan assembly back into the unit.
7. Remove the drain line knockout from the coil access door. This will allow access to the horizontal drain.
8. Install drain pan extension (if supplied with unit).

**NOTE:** The holes in the drain pan extension should be pressed over the nibs molded into the drain pan. Which pair of holes to use will depend on whether the unit is installed horizontal left or horizontal right. Verify proper positioning for clearance thru the top of the coil cabinet before affixing. The drain pan extension can be installed and removed after the ductwork has been attached to the cased coil.

9. Connect the refrigerant lines as outlined in the Refrigerant Lines Connection section.



**Figure 1. Suction & Liquid Line Locations**

10. Seal the enclosure as required to minimize air leakage.
11. Reinstall the coil access door.
12. Restore electrical power to the furnace.

## Downflow Installations

C74 coils may be installed in downflow applications. It is required that the furnace and coil cabinets are securely mounted together before setting in place. Fossil fuel applications require the coil to be placed in the supply air stream only.

## REFRIGERANT LINE CONNECTIONS

### IMPORTANT NOTE TO INSTALLER

**C74 Coils are not factory charged with refrigerant. It will be necessary to evacuate the indoor coil and lineset prior to charging. Refer to the outdoor unit installation manual for detailed charging instructions.**

## System Depressurization

1. Remove the cap (Figure 1) from the end of the liquid line.
2. Verify pressurization by depressing the Schrader valve on the end of the liquid line. Listen for any escaping gas. If there is no pressure, test the coil for leakage.
  - If leakage is found, clearly mark the location of the leak and return the coil to the distributor for processing.
  - If no leaks are found, the coil may be installed.
3. Depress the valve to relieve all pressure from the coil.
4. Remove and discard the valve core and valve core holder on the liquid line.
5. Remove the rubber plug from the suction line.

## Orifice Removal & Installation

**NOTE:** Before proceeding, perform steps 1 - 3 in the System Depressurization section and confirm that the restrictor orifice size meets the requirements outlined in the outdoor unit installation manual. Factory supplied orifice sizes are listed in Table 3. C74BA Uncased Coil Specifications (Orifice only), Table 4 or Table 5, (page 8). If the orifice must be replaced, follow steps 1 - 5.

## ⚠ CAUTION:

**To prevent damage to the unit or internal components, it is recommended that two wrenches be used when loosening or tightening nuts. Do not over tighten!**

1. Using two wrenches, loosen the nut and distributor body as shown in Figure 2. Turn the assembly nut counter-clock-wise until the orifice body halves are separated.
2. Insert a light-gauge wire hook between the distributor body and the restrictor orifice while being careful not to scratch either part. Carefully remove the restrictor orifice from the distributor body. See Figure 3.
3. Check the actual size of the new orifice. The size is stamped on its side. Do not use pin gauges to measure the orifice diameter.
4. Insert the new orifice into the distributor body, rounded end down. See Figure 4.

**⚠ CAUTION:**

To prevent damage to the unit or internal components, it is recommended that two wrenches be used when loosening or tightening nuts. Do not over tighten!

5. Realign the assembly nut on the distributor body and hand tighten both components. Mark a line on both bodies and then tighten an additional 1/4 turn using two wrenches. The movement of the two lines will show how much the nut is tightened. If a torque wrench is used, tighten to 10-12 ft. lbs. or 14-16 Nm.

**Connecting the Linesets - Cased Coil**

**NOTE:** If installing a TXV, please follow the instructions supplied with the kit. See [Table 2](#) for liquid line kit part numbers.

1. Remove the grommet from the suction line, making note of its orientation and fit.
2. Remove the coil access door.
3. Remove the rubber plug from the suction line.
4. Install the Thermal Expansion Valve (TXV). **Please follow the instructions supplied with the kit.**
5. Route and cut both lineset tubes to proper length in accordance with the outdoor unit specifications. Verify the ends are round, clean, and free of any burrs.
6. Place the grommet on the suction line of the lineset. **NOTE: DO NOT** install the grommet in the door cutout at this point. Allow sufficient distance to braze joint.
7. Connect the suction and liquid lineset tubes.
8. Braze the individual connections with dry nitrogen flowing through the joints.

**⚠ CAUTION:**

It is recommended that a wet rag be wrapped around the suction line in front of the close off plate before applying heat. Failure to keep components cool during brazing may result in structural damage, premature equipment failure, or possible personal injury.

**IMPORTANT NOTE:**

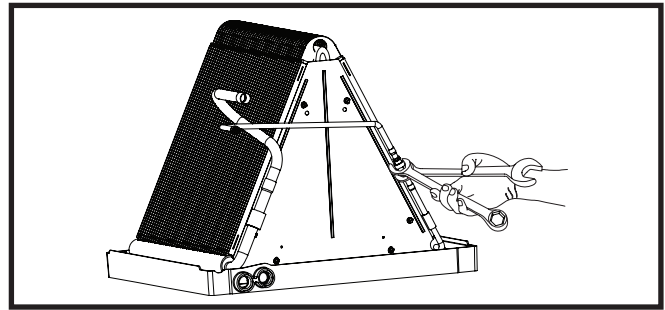
To prevent internal oxidation and scaling from occurring, braze all connections with dry nitrogen flowing through the joints.

9. Install the grommet in the door cutout. Verify the grommet is evenly aligned around the tube and securely positioned in the door cutout.

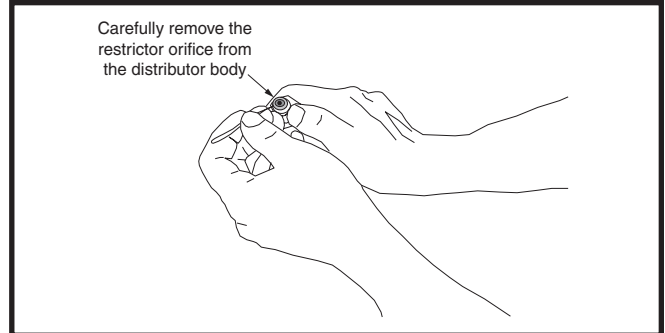
**Connecting the Linesets – Uncased coil**

**NOTE:** If installing a TXV, please follow the instructions supplied with the kit, See [Table 2](#) for liquid line kit part numbers.

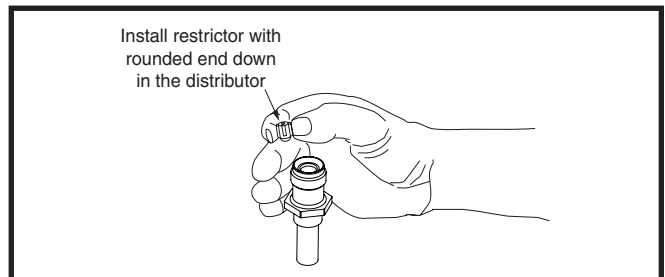
1. Route and cut both lineset tubes to proper length in accordance with the outdoor unit specifications. Verify the ends are round, clean, and free of any burrs.
2. Connect the suction and liquid lineset tubes.



**Figure 2. Loosening of Nut & Distributor Body**



**Figure 3. Removal of Orifice**



**Figure 4. Restrictor Insertion into Distributor Body**

COIL HEIGHT	CABINET	LIQUID LINE TUBE KIT
18"	A	921824
18"	B	921825
24"	B	921826
18"	C	921827
24"	C	921828
28"	C	921829
24"	D	921830
28"	D	921831

**Table 2. Liquid Line Tube kits**

---

 **CAUTION:**

**It is recommended that a wet rag be wrapped around the suction line in front of the close off plate before applying heat. Failure to keep components cool during brazing may result in structural damage, premature equipment failure, or possible personal injury.**

---

3. Braze the individual connections with dry nitrogen flowing through the joints. This will prevent internal oxidation and scaling from occurring.
4. Wrap the refrigerant lines with pressure sensitive neoprene or other suitable material especially where the lines enter the opening in the sheet metal.

**NOTE:** On horizontal models with a TXV valve, reposition the sensing bulb to the 4 or 8 o'clock position on the suction line.

### Condensate Drain

---

 **CAUTION:**

**The coil must be level to ensure proper condensate drainage. Improper condensate disposal may result in structural damage, premature equipment failure, or possible personal injury.**

---

- Methods for disposing of condensate vary according to local codes. Refer to local codes or authority having jurisdiction for restrictions and proper condensate disposal requirements.
- All condensate pans have primary and secondary drain connections to meet FHA requirements. If the application is located in or above a living space where damage may result from condensate overflow, a separate 3/4 inch drain must be provided from the secondary drain connection and a secondary drain pan must be installed under the entire unit. Run secondary drain lines to a place where they are noticeable if used.
- The coil condensate pan is designed with 3/4" NPSC drain connections. Use a PVC or similar material fitting to attach the drain line to the pan. **NOTE:** The fitting should be hand tightened only. Overtightening may crack the drain pan and cause condensate to leak.
- The drain pan **MUST** be drained with field supplied tubing or PVC pipe and adequately trapped.

### IMPORTANT NOTE TO INSTALLER

**Failure to install a trap may result in condensation overflowing the drain pan, resulting in substantial water damage to surrounding area.**

- Prime the trap with water. Insulate the drain if it is located in an unconditioned space, and test the condensate line for leaks. Consult local codes for additional restrictions or precautions.
- Route the lines to a suitable drain, avoiding sharp bends and pinching of the lines. The drain should maintain a minimum horizontal slope in the direction of discharge of no less than 1" vertical for every 10 ft of horizontal run.
- During system checkout, inspect the drain line and connections to verify proper condensate drainage.

### Air Filter

Air filters are not supplied as an integral part of this coil; however, an air filter kit is available. Refer to the Replacement Parts List for available part numbers.

The filter must be installed upstream of the coil and inspected frequently. When the filter becomes clogged with dust or lint, it should be replaced (disposable type) or cleaned (washable type). It is recommended that filters be inspected and replaced at least twice during the year. Generally it is best to replace or clean the filters at the start of each heating and cooling season.

### COMPLETING THE INSTALLATION

1. Position the drain pan so the connections are aligned with the corresponding knockouts.
2. Check the system for leaks, including the lineset and the brazed joints.
3. Evacuate the system of moisture and non-condensables to prevent low efficiency operation or damage to the unit. The suggested range of evacuation is 350 - 500 microns.
4. Charge the system with refrigerant. **Please Refer to the outdoor unit installation manual for additional charging instructions.**
5. Install the coil access door (if removed).
6. Properly dispose of all removed parts.
7. Apply power to the unit.

### MAINTENANCE & SERVICE

---

 **WARNING:**

### ELECTRICAL SHOCK, FIRE OR EXPLOSION HAZARD

**Failure to follow safety warnings exactly could result in serious injury or property damage.**

**Improper servicing could result in dangerous operation, serious injury, death or property damage.**

- **Before servicing, disconnect all electrical power to the equipment.**
  - **When servicing controls, label all wires prior to disconnecting. Reconnect wires correctly.**
  - **Verify proper operation after servicing.**
- 

---

 **CAUTION:**

**Do not operate the system without a suitable filter in the return air duct system. Always replace the filter with the same size and type.**

---

To ensure optimum performance and to minimize possible equipment failure, the following maintenance tasks should be performed periodically on this equipment:

1. The air filter installed with the system should be checked and cleaned or replaced twice per year.
2. Check the coil, drain pan, and condensate drain line for cleanliness at the start of each heating and cooling season. Clean as needed.

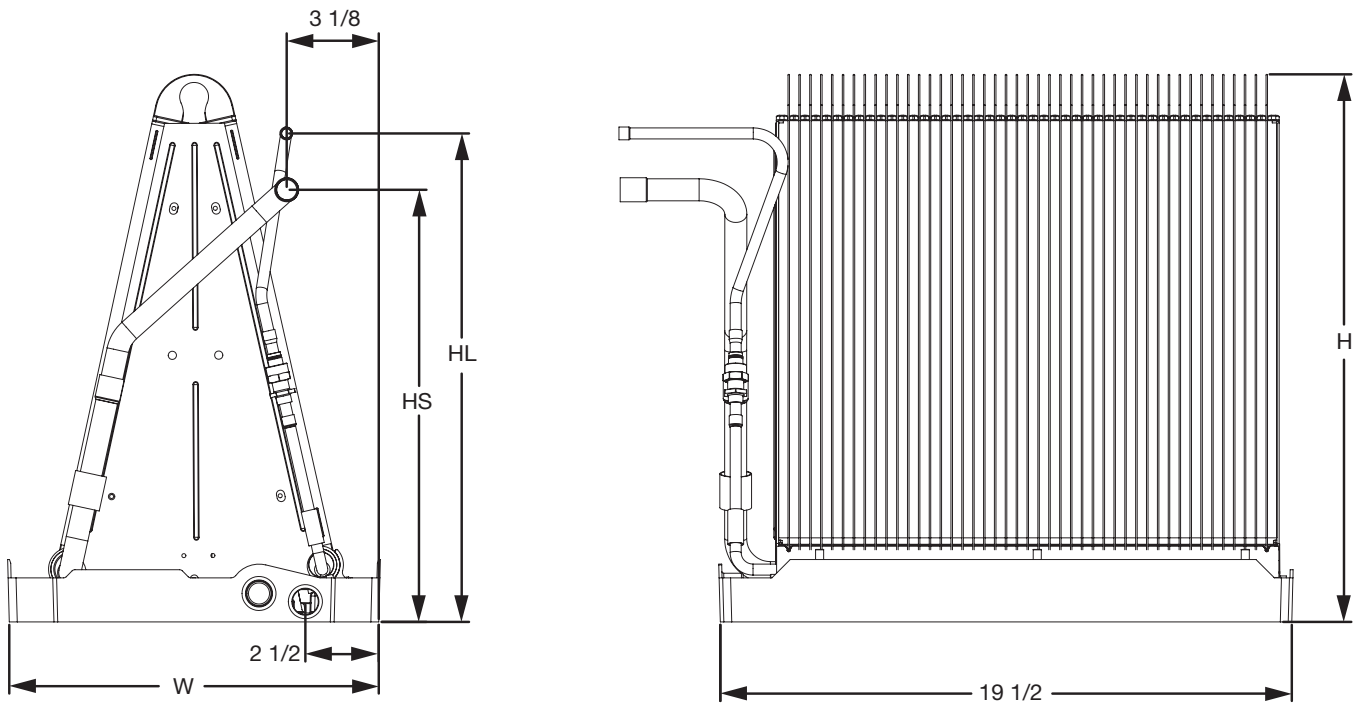


Figure 5. C74 Uncased Coil Dimensions (Without TXV)

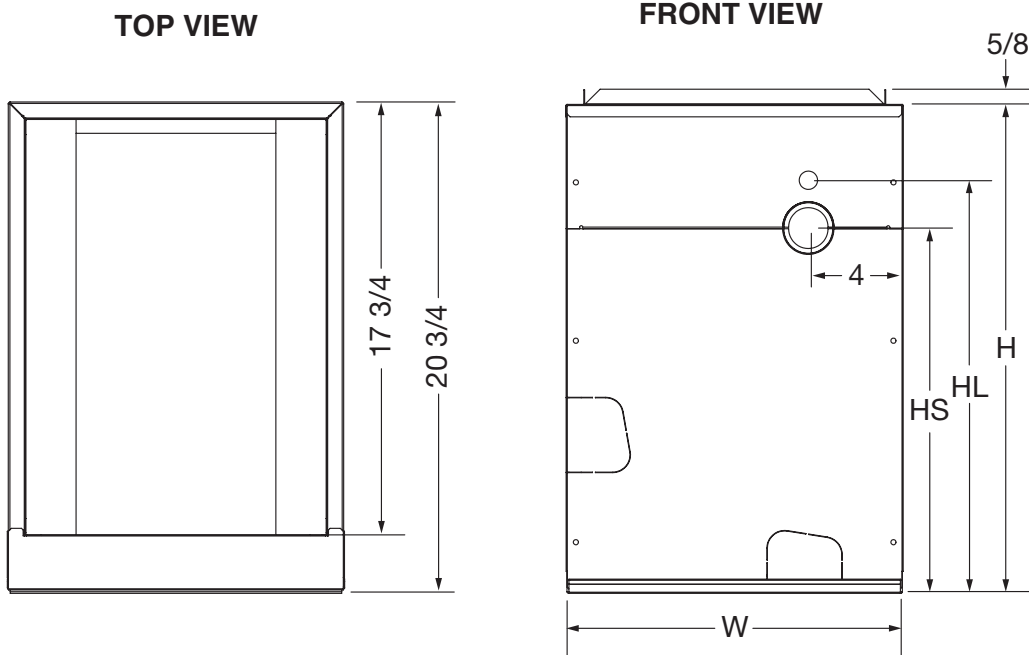


Figure 6. C74 Cased Coil Dimensions

	UPFLOW & DOWNFLOW UNITS									
	A-CABINETS		B-CABINETS			C-CABINETS			D-CABINETS	
C74BAM	018U-A	02430U-A	018U-B	02430U-B	03642U-B	02430U-C	03642U-C	048U-C	042U-D	048U-D
NOMINAL CAPACITY, MIN BTUH	18,000	24,000	18,000	24,000	36,000	24,000	36,000	48,000	42,000	48,000
NOMINAL CAPACITY, MAX BTUH		30,000		30,000	42,000	30,000	42,000			
INSTALLED ORIFICE SIZE (IN.)	0.046	0.053	0.046	0.053	0.068	0.053	0.068	0.077	0.068	0.077
W - WIDTH (IN.)	12.75	12.75	16	16	16	19.5	19.5	19.5	23	23
H - HEIGHT (IN.)	18.75	18.75	18.5	18.5	25	17.75	24.5	28.75	24	28.25
HL - HEIGHT OF LIQUID LINE (IN.)	16.75	16.75	16.75	16.75	22.75	22.75	22.75	26.75	26.5	26.75
HS - HEIGHT OF SUCTION LINE (IN.)	14.75	14.75	14.75	14.75	20.5	20.5	20.75	24.25	24.5	24.75
CONNECTION - LIQUID LINE	3/8	3/8	3/8	3/8	3/8	3/8	3/8	3/8	3/8	3/8
CONNECTION - SUCTION LINE	3/4	3/4	3/4	3/4	7/8	7/8	7/8	7/8	7/8	7/8
HORIZONTAL DRAIN PAN KIT (4)	920265	920265	920265	920265	920266	920265	920266	920267	920267	920267

**TABLE 3. C74BA UNCASSED COIL SPECIFICATIONS (ORIFICE ONLY)**

	UPFLOW & DOWNFLOW UNITS									
	A-CABINETS		B-CABINETS			C-CABINETS			D-CABINETS	
C74BAM	018C-A	02430C-A	018C-B	02430C-B	03642C-B	02430C-C	03642C-C	048C-C	042C-D	048C-D
NOMINAL CAPACITY, MIN BTUH	18,000	24,000	18,000	24,000	36,000	24,000	36,000	48,000	42,000	48,000
NOMINAL CAPACITY, MAX BTUH		30,000		30,000	42,000	30,000	42,000			
INSTALLED ORIFICE SIZE (IN.)	0.046	0.053	0.046	0.053	0.068	0.053	0.068	0.077	0.068	0.077
W - WIDTH (IN.)	14.25	14.25	17.5	17.5	17.5	21	21	21	24.5	24.5
H - HEIGHT (IN.)	20.75	20.75	20.75	20.75	26.75	26.75	26.75	30.25	30.25	30.25
HL - HEIGHT OF LIQUID LINE (IN.)	17.5	17.5	17.5	17.5	23.5	23.5	23.5	27	27	27
HS - HEIGHT OF SUCTION LINE (IN.)	15.5	15.5	15.5	15.5	21.5	21.5	21.5	25	25	25
CONNECTION - LIQUID LINE	3/8	3/8	3/8	3/8	3/8	3/8	3/8	3/8	3/8	3/8
CONNECTION - SUCTION LINE	3/4	3/4	3/4	3/4	7/8	7/8	7/8	7/8	7/8	7/8
HORIZONTAL DRAIN PAN KIT (4)	920265	920265	920265	920265	920266	920266	920266	920267	920267	920267

**TABLE 4. C74BA CASSED COIL SPECIFICATIONS (ORIFICE ONLY)**

	HORIZONTAL UNITS									
	A-CABINETS		B-CABINETS			C-CABINETS			D-CABINETS	
C74BHM	018C-A	02430C-A	018C-B	02430C-B	03642C-B	02430C-C	03642C-C	048C-C	042C-D	048C-D
NOMINAL CAPACITY, MIN BTUH	18,000	24,000	18,000	24,000	36,000	24,000	36,000	48,000	42,000	48,000
NOMINAL CAPACITY, MAX BTUH		30,000		30,000	42,000	30,000	42,000			
INSTALLED ORIFICE SIZE (IN.)	0.046	0.053	0.046	0.053	0.068	0.053	0.068	0.077	0.068	0.077
W - WIDTH (IN.)	14.25	14.25	17.5	17.5	17.5	21	21	21	24.5	24.5
H - HEIGHT (IN.)	26.75	26.75	26.75	26.75	26.75	26.75	26.75	30.25	30.25	30.25
HL - HEIGHT OF LIQUID LINE (IN.)	23.5	23.5	23.5	23.5	23.5	23.5	23.5	27	27	27
HS - HEIGHT OF SUCTION LINE (IN.)	21.5	21.5	21.5	21.5	21.5	21.5	21.5	25	25	25
CONNECTION - LIQUID LINE	3/8	3/8	3/8	3/8	3/8	3/8	3/8	3/8	3/8	3/8
CONNECTION - SUCTION LINE	3/4	3/4	3/4	3/4	7/8	7/8	7/8	7/8	7/8	7/8

**TABLE 5. C74BH CASSED COIL SPECIFICATIONS (ORIFICE ONLY)**

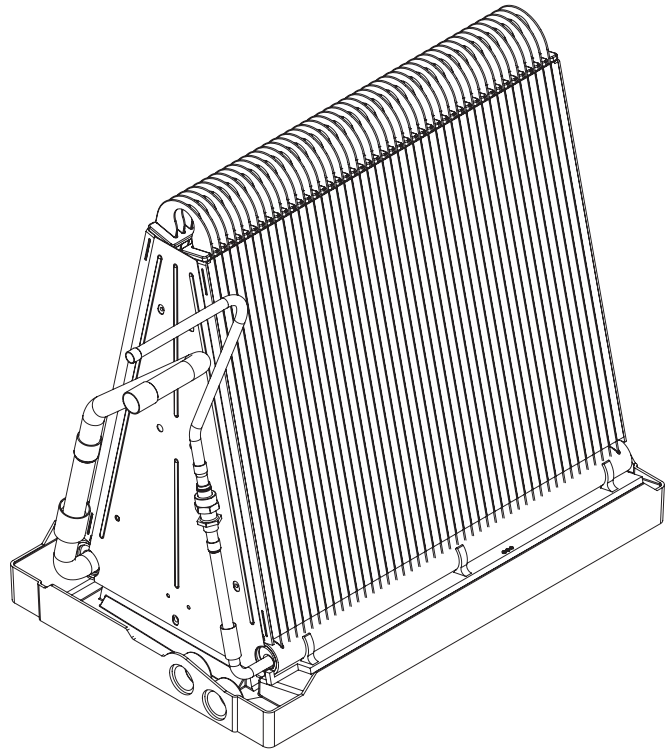
**NOTES:**

- Individual restrictors are available by part number - PN 664\*\*\* (where \*\*\* represents the size). Example: 664103 is a restrictor 0.103 in diameter.
- Refer to sales specification sheets for Listed/Certified combinations of equipment and required accessories.
- Refer to the current AHRI Directory for certified ratings of split systems.
- Not required for "H" horizontal ready coils.



# Serpentins coffrés intérieurs pour système multi-blocs séries C74BA et C74BH avec orifice

## NOTICE D'INSTALLATION



## IMPORTANT

### REMARQUE À L'INTENTION DES INSTALLATEURS :

Il est de votre responsabilité de mieux connaître ce produit que votre client. Cela inclut la capacité d'installer le produit conformément aux directives de sécurité strictes et d'informer le client sur la façon d'utiliser et de maintenir l'appareil pour assurer la durée de vie du produit. La sécurité doit toujours être le facteur déterminant lors de l'installation de ce produit et le fait de faire preuve de bon sens est également important. Prêter attention à tous les avertissements de sécurité et toute autre remarque spéciale donnée dans le manuel. L'installation inappropriée de la fournaise ou le non-respect des avertissements de sécurité risque d'entraîner des blessures graves, la mort ou des dommages matériels.

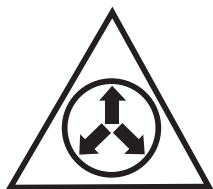
Ces directives sont principalement destinées à aider les installateurs qualifiés et expérimentés dans l'installation de cet appareil. Certains codes locaux exigent que ce type d'appareil soit installé par un installateur/réparateur agréé. Veuillez lire attentivement toutes les directives avant de commencer l'installation. Remettre ces directives dans les documents du client pour référence future.

**NE PAS DÉTRUIRE. VEUILLEZ LIRE ATTENTIVEMENT ET CONSERVER EN UN LIEU SÛR POUR RÉFÉRENCE FUTURE.**

## RENSEIGNEMENTS IMPORTANTS SUR LA SÉCURITÉ

Veillez lire toutes les instructions avant d'entretenir cet équipement. Prêtez attention à tous les avertissements de sécurité et toute autre remarque spéciale donnée dans le manuel. Des symboles de sécurité sont fréquemment utilisés dans l'ensemble de ce manuel pour désigner un degré ou un niveau de gravité et ne doivent pas être ignorés. **AVERTISSEMENT** – Indique une situation potentiellement dangereuse qui, si elle n'est pas évitée, peut occasionner des blessures ou la mort. **MISE EN GARDE** – Indique une situation potentiellement dangereuse qui, si elle n'est pas évitée, peut occasionner des blessures mineures ou modérées, ou des dommages matériels.

### **AVERTISSEMENT :**



AZOTE	
SANTÉ	1
INFLAMMABILITÉ	0
RÉACTIVITÉ	0

0 Danger minimal 1 Danger léger

**Les serpentins C74 sont pressurisés à l'azote en usine. Évitez tout contact direct avec le visage ou tout contact avec le robinet pendant l'évacuation du gaz. Assurez-vous qu'une aération suffisante est toujours présente pendant la dépressurisation. Toute incertitude doit être réglée avant de procéder.**

### **AVERTISSEMENT RELATIF À LA PROPOSITION 65 :**

**AVERTISSEMENT : Ce produit contient des produits chimiques reconnus dans l'État de la Californie comme pouvant causer le cancer.**

**AVERTISSEMENT : Ce produit contient des produits chimiques reconnus dans l'État de la Californie comme pouvant causer des malformations congénitales ou d'autres problèmes du système reproductif.**

### **AVERTISSEMENT :**

L'installation, la réparation, le réglage ou l'entretien inapproprié peut causer des explosions, un incendie, une décharge électrique ou d'autres conditions dangereuses qui peuvent entraîner des blessures ou des dommages matériels. À moins d'indication contraire dans ces instructions, n'utilisez que des trousseaux ou des accessoires autorisés avec ce produit.

### **AVERTISSEMENT :**

**Cet appareil doit être installé conformément aux instructions contenues dans ce manuel, et ce, pendant son installation, son entretien et son utilisation. Les personnes non qualifiées ne doivent pas tenter d'interpréter ces instructions ou d'installer cet équipement. Si vous ne possédez pas les compétences mécaniques ou les outils, communiquez avec le détaillant de votre région pour obtenir de l'assistance. Le propriétaire ne doit en aucun cas tenter d'installer ou de réparer cet appareil. Le non-respect des recommandations de sécurité peut causer des dommages à l'équipement ou des blessures graves, voire mortelles.**

- L'installateur doit respecter tous les codes et règlements locaux qui régissent l'installation de ce type d'équipement. Les codes et règlements locaux ont préséance sur toute recommandation contenue dans les présentes instructions. Consultez les codes de construction locaux pour connaître les exigences spéciales d'installation.
- Familiarisez-vous avec les commandes qui coupent l'alimentation électrique de l'appareil. Si l'appareil doit rester éteint pendant une longue période, coupez son alimentation électrique au disjoncteur. Pour votre sécurité, coupez toujours l'alimentation électrique avant d'entretenir ou de réparer l'appareil.
- L'installation de l'appareil peut requérir du brasage. L'installateur doit respecter les codes de sécurité et porter l'équipement de protection approprié (lunettes de protection, gants de travail, extincteur, etc.) pendant les opérations de brasage.
- Lisez les Instructions d'installation qui accompagnent la fournaise ou l'appareil de traitement d'air. Respectez toujours toutes les exigences de sécurité décrites dans ce manuel et inscrites sur la fournaise ou l'appareil de traitement d'air avant d'installer le serpent.
- Respectez toutes les mises en garde qui figurent dans les documents et sur les insignes et étiquettes de l'appareil. Lisez et comprenez à fond les instructions qui accompagnent l'appareil avant de commencer l'installation et la vérification du fonctionnement de l'appareil.
- Manipulez cet appareil ou retirez-en des composants avec soin. Les arêtes vives en métal présentes sur tout appareil fabriqué en tôle peuvent causer des blessures

### **INSTALLATION DU SERPENTIN**

### **AVERTISSEMENT :**

#### **RISQUE DE DÉCHARGE ÉLECTRIQUE, D'INCENDIE OU D'EXPLOSION**

**Le non-respect des avertissements de sécurité pourrait entraîner des blessures graves ou des dommages matériels importants.**

**Un entretien inapproprié peut provoquer un fonctionnement dangereux, des blessures graves, la mort ou des dommages matériels.**

- Avant toute intervention, coupez l'alimentation électrique à l'appareil.
- Pour l'entretien des commandes, étiquetez tous les fils avant de les débrancher. Rebranchez les fils correctement.
- Vérifiez le bon fonctionnement après l'intervention.

## MISE EN GARDE :

L'appareil doit être à l'équerre et de niveau pour assurer un drainage approprié de la condensation. Une installation pas de niveau peut causer des dommages structurels, la défaillance prématurée de l'équipement ou même des blessures.

### Renseignements généraux

Les serpentins coffrés intérieurs Série C74 sont conçus pour les applications ascendantes, descendantes ou horizontales et ils sont pourvus de raccords pour frigorigène soudés pour une installation facile. Si aucun détendeur thermostatique n'a été installé, mais qu'il est requis pour votre application, voyez le [Tableau 1](#) pour déterminer une trousse appropriée à la capacité et au type de frigorigène de l'appareil.

- Vérifiez la taille des orifices des serpentins et confirmez qu'elle convient à l'application avec l'appareil extérieur choisi. Selon l'application, un orifice supplémentaire ou un détendeur thermostatique fourni par l'installateur peut être requis.
- L'équipement de climatisation/chauffage en option doit être dimensionné et installé correctement conformément aux spécifications du fabricant et aux recommandations approuvées.
- Les ventilateurs pour fournaise à « chauffage seulement » peuvent devoir être remplacés par des souffleurs multi-vitesses pour chauffage/climatisation afin d'accroître la circulation d'air ( $\text{pi}^3/\text{min}$ ) lorsqu'un serpentin supplémentaire est installé. Voyez le [Tableau 3](#), [Tableau 4](#) ou [Tableau 5](#), (page 8) pour les spécifications du serpentin, le nombre de  $\text{pi}^3/\text{min}$  recommandé et les tolérances pour les baisses de pression sur le serpentin et les filtres.
- Assurez-vous que le volume d'air de la fournaise/l'appareil de traitement d'air est adéquat pour répondre aux baisses de pression statique du serpentin, du filtre et des conduites.
- Si une formation précise des conduites de frigorigène est requise, il est recommandé d'utiliser un outil pour plier les tuyaux de cuivre. Évitez les courbes trop accentuées et tout contact entre les conduites de frigorigène et les surfaces métalliques.
- Les conduites de frigorigène doivent être recouvertes de néoprène sensible à la pression ou d'un autre matériau approprié lorsqu'ils longent des feuilles métalliques à bord tranchant.
- Les installations horizontales requièrent l'installation d'une trousse de bac de vidange horizontale. Voyez le [Tableau 3](#), [Tableau 4](#) ou [Tableau 5](#) pour les numéros de pièces disponibles.
- Des plaques de fermeture sont disponibles dans certaines trousse de filtration d'air. Consultez la Liste des pièces de rechange pour les numéros de pièces disponibles. Installez les plaques de fermeture requises autour des conduites de frigorigène et conduites d'évacuation au besoin. Réinstallez tous les panneaux internes et externes de la fournaise/l'appareil de traitement d'air qui ont été enlevés précédemment pendant l'installation du serpentin intérieur.

### Installations ascendantes

1. Coupez toute alimentation électrique à la fournaise.
2. Installez le boîtier du serpentin sur la sortie d'air de la fournaise et mettez-le au niveau au besoin pour assurer l'évacuation adéquate du condensat. Au besoin, fabriquez une plaque pour adapter le serpentin à l'ouverture d'évacuation d'air. Voir la pour les dimensions du serpentin.
3. Fabriquez et installez le caisson d'air sur le serpentin. Isolez au besoin.
4. Scellez le boîtier au besoin pour minimiser les fuites d'air.
5. Branchez les conduites de frigorigène tel que décrit dans la section Branchement des conduites de frigorigène.

### Installations horizontales

Les serpentins C74BA peuvent être installés horizontalement, mais la fournaise et les boîtiers de serpentins doivent être solidement fixés ensemble avant l'installation du serpentin. Une trousse de bac de vidange horizontale doit aussi être installée sous le serpentin. Voyez le [Tableau 3](#), [Tableau 4](#) ou [Tableau 5](#) pour les numéros de pièces disponibles.

### Installations horizontales sur la gauche

1. Coupez toute alimentation électrique à la fournaise.
2. Retirez la porte d'accès au serpentin.
3. Retirez le bouchon et l'entrée défonçable de l'un des trous filetés dans le bac de vidange horizontale.

## MISE EN GARDE :

L'appareil doit être retiré et mis au rebut pour assurer un drainage approprié de la condensation. Une vidange inadéquate peut causer des dommages structurels, la défaillance prématurée de l'équipement ou même des blessures.

4. Installez le bouchon (du bac de vidange horizontale) dans le trou d'évacuation du bac de vidange, au fond de l'appareil. Cela empêche l'air de dérivation d'entrer dans le système.
5. Retirez l'entrée défonçable de conduite d'évacuation de la porte d'accès au serpentin. Cela permet l'accès au drain horizontal.
6. Installez la rallonge du bac de vidange (s'il accompagne l'appareil).

	TXV KIT P/N	TAILLE A.C. OU H.P. (TONNES)
FRIGORIGÈNE R-410A	<a href="#">920668A</a>	1.5 or 2
	<a href="#">920669A</a>	2.5
	<a href="#">920670A</a>	3
	<a href="#">920671A</a>	3.5
	<a href="#">920672A</a>	4
	<a href="#">920673A</a>	5

Tableau 1. Numéros de pièces des trousse de détendeur thermostatique

**REMARQUE :** Les trous dans la rallonge du bac de vidange doivent être pressés contre les pointes moulées du bac. La paire de trous à utiliser varie selon que l'appareil est installé à l'horizontale sur la gauche ou sur la droite. Assurez-vous que la position choisie offre un dégagement suffisant dans le haut du boîtier du serpentin avant la fixation. La rallonge du bac de vidange peut être installée ou retirée après la fixation des conduites sur le serpentin coffré.

7. Branchez les conduites de frigorigène tel que décrit dans la section Branchement des conduites de frigorigène.
8. Scellez le boîtier au besoin pour minimiser les fuites d'air.
9. Réinstallez la porte d'accès au serpentin.
10. Restaurez toute alimentation électrique à la fournaise.

### Installations à droite horizontale

1. Coupez toute alimentation électrique à la fournaise.
2. Retirez la porte d'accès au serpentin.
3. Retirez le bouchon et l'entrée défonçable de l'un des trous filetés dans le bac de vidange horizontale.

## MISE EN GARDE :

**L'appareil doit être retiré et mis au rebut pour assurer un drainage approprié de la condensation. Le non-respect de cette instruction peut causer des dommages structurels, la défaillance prématurée de l'équipement ou même des blessures.**

- Placez le bac de vidange horizontale sur le côté opposé au serpent. **REMARQUE** : Si l'appareil a 2 séries d'entrées défonçables, retirez l'autre série d'entrées défonçables des plaques d'espacement du serpent et insérez la tige de support.
- Installez le bouchon (du bac de vidange horizontale) dans le trou d'évacuation du bac de vidange, au fond de l'appareil. Cela empêche l'air de dérivation d'entrer dans le système.
- Réinsérez l'ensemble du serpent et du bac de vidange horizontale dans l'appareil.
- Retirez l'entrée défonçable de conduite d'évacuation de la porte d'accès au serpent. Cela permet l'accès au drain horizontal.
- Installez la rallonge du bac de vidange (s'il accompagne l'appareil).

**REMARQUE** : Les trous dans la rallonge du bac de vidange doivent être pressés contre les pointes moulées du bac. La paire de trous à utiliser varie selon que l'appareil est installé à l'horizontale sur la gauche ou sur la droite. Assurez-vous que la position choisie offre un dégagement suffisant dans le haut du boîtier du serpent avant la fixation. La rallonge du bac de vidange peut être installée ou retirée après la fixation des conduites sur le serpent coffré.

- Branchez les conduites de frigorigène tel que décrit dans la section Branchement des conduites de frigorigène.
- Scellez le boîtier au besoin pour minimiser les fuites d'air.
- Réinstallez la porte d'accès au serpent.
- Restaurez toute alimentation électrique à la fournaise.

### Installations descendantes

Les serpentins C74 peuvent être installés dans les applications descendantes. Il est nécessaire que les armoires du la fournaise et les boîtiers de serpentins doivent être solidement fixés ensemble avant l'installation du serpent. Les applications au combustible fossile requièrent que le serpent soit installé dans le flux d'air entrant seulement.

### RACCORDS DE LIGNE DE REFROIDISSEMENT

#### NOTE IMPORTANTE POUR L'INSTALLATEUR

**Les serpentins C74 ne sont pas chargés de frigorigène en usine. Il sera nécessaire d'évacuer le serpent intérieur et les conduites avant de charger. Consultez le mode d'installation de l'appareil extérieur pour des instructions de charge détaillées.**

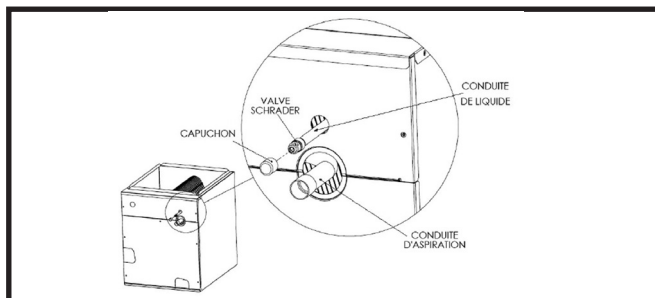


Figure 1. Emplacement des conduites de suction et de liquide

### Dépressurisation du système

- Retirez le capuchon (Figure 1) du bout de la conduite de liquide.
- Vérifiez la pressurisation en enfonçant la vanne Schrader sur le bout de la conduite de liquide. Écoutez pour détecter toute fuite de gaz. S'il n'y a pas de pression, vérifiez s'il y a une fuite dans le serpent.
  - Si une fuite est détectée, marquez clairement l'emplacement de la fuite et retournez le serpent au distributeur pour traitement.
  - Si aucune fuite n'est détectée, le serpent peut être installé.
- Enfonchez la vanne pour évacuer toute pression du serpent.
- Retirez et jetez la pièce intérieure de la vanne et le support de la pièce intérieure de la vanne de la conduite de liquide.
- Enlevez le bouchon de la conduite de suction.

### Démontage et installation de l'orifice

**REMARQUE** : Avant de continuer, effectuez les étapes 1 à 3 de la section Dépressurisation du système et confirmez que la taille de l'orifice d'étranglement est conforme aux normes décrites dans le guide d'installation de l'unité extérieure. Les tailles d'orifices installés en usine sont données dans le Tableau 3, Tableau 4 ou Tableau 5, (page 8). Si l'orifice doit être remplacé, suivez les étapes 1 à 5.

## MISE EN GARDE :

**Pour éviter d'endommager l'appareil ou les composants internes, il est recommandé d'utiliser deux clés pour desserrer ou serrer les écrous. Ne pas trop serrer.**

- À l'aide de deux clés, desserrez l'écrou et le boîtier du distributeur tel que montré dans la Figure 2. Tournez l'écrou de l'assemblage dans le sens contraire aux aiguilles d'une montre jusqu'à ce que les deux moitiés de l'orifice se séparent.
- Insérez un crochet en fil métallique léger entre le corps du distributeur et l'orifice d'étranglement en prenant soin de ne pas égratigner ces pièces. Retirez délicatement l'orifice calibré du corps du distributeur. Voyez la Figure 3.
- Vérifiez la taille réelle du nouvel orifice. La taille est imprimée sur le côté. N'utilisez pas une tige étalon pour mesurer le diamètre de l'orifice.
- Insérez le nouvel orifice dans le corps du distributeur, bout arrondi vers le bas. Voyez la Figure 4.

## MISE EN GARDE :

**Pour éviter d'endommager l'appareil ou les composants internes, il est recommandé d'utiliser deux clés pour desserrer ou serrer les écrous. Ne pas trop serrer.**

- Alignez l'écrou de retenue sur le boîtier du détendeur thermostatique et serrez les deux composantes à la main. Tracez une ligne sur les deux corps, puis serrez de 1/4 tour de plus à l'aide de deux clés. Le mouvement des deux conduites montre à quel point l'écrou est serré. Si une clé dynamométrique est utilisée, serrez entre 10 et 12 pi-lb ou 14 et 16 Nm.

### Connexion des conduites - serpent coffré

**REMARQUE** : Si un détendeur thermostatique est installé, veuillez suivre les instructions qui accompagnent la trousse. Voyez le Tableau 2 pour les numéros de trousse de conduites de liquide.

- Retirez le passe-fils de la conduite de suction en notant son orientation et son ajustement.
- Retirez la porte d'accès au serpent.
- Enlevez le bouchon de la conduite de suction.
- Installez le détendeur thermostatique. **Veuillez suivre les directives fournies avec la trousse.**
- Positionnez et coupez les deux tubes de conduites à la longueur appropriée, conformément aux spécifications de l'appareil

extérieur. Assurez-vous que les bouts sont ronds, propres et sans bavures.

- Placez le passe-fils sur la conduite de succion de la canalisation.  
**REMARQUE** : N'installez PAS le passe-fils dans l'entrée défonçable de la porte à ce point-ci. Laissez suffisamment d'espace pour souder le joint.
- Branchez les tubes des conduites de succion et de liquide.
- Brasez les branchements individuels en faisant circuler de l'azote sec à travers les joints.

## ⚠ MISE EN GARDE :

**Il est recommandé d'enrouler un chiffon humide autour de la conduite de succion, devant la plaque de fermeture, avant d'appliquer de la chaleur. Le non-respect de cette instruction peut causer des dommages structurels, la défaillance prématurée de l'équipement ou même des blessures.**

### REMARQUE IMPORTANTE :

**Pour prévenir l'oxydation interne et l'entartrage, brasez tous les branchements en faisant circuler de l'azote sec à travers les joints.**

- Installez le passe-fils dans l'entrée défonçable de la porte. Assurez-vous que le passe-fils est aligné uniformément autour du tube et positionné solidement dans l'entrée défonçable de la porte.

## Raccordement des conduites – serpentín non coffrés

**REMARQUE** : Si un détendeur thermostatique est installé, veuillez suivre les directives qui accompagnent la trousse. Voyez le [Tableau 2](#) pour les numéros de trousse de conduites de liquide.

- Positionnez et coupez les deux tubes de conduites à la longueur appropriée, conformément aux spécifications de l'appareil extérieur. Assurez-vous que les bouts sont ronds, propres et sans bavures.
- Branchez les tubes des conduites d'aspiration et de liquide.
- Brasez les branchements individuels en faisant circuler de l'azote sec à travers les joints. Cela prévient l'oxydation interne et la formation de tartre.
- Enveloppez les conduites de frigorigène de néoprène sensible à la pression ou d'un autre matériau approprié, surtout si les conduites passent par une ouverture dans la tôle.

**REMARQUE**: Sur les modèles horizontaux avec détendeur thermostatique, remplacez le bulbe thermostatique sur la conduite de succion en position 4 heures ou 8 heures.

## ⚠ MISE EN GARDE :

**Il est recommandé d'enrouler un chiffon humide autour de la conduite de succion, devant la plaque de fermeture, avant d'appliquer de la chaleur. Si les composantes ne restent pas froides pendant le brasage, des dommages structurels, la défaillance prématurée de l'équipement ou même des blessures pourraient survenir.**

## Drain à condensat

## ⚠ MISE EN GARDE :

**Le serpentín doit être de niveau pour assurer un drainage approprié de la condensation. Une vidange inadéquate peut causer des dommages structurels, la défaillance prématurée de l'équipement ou même des blessures.**

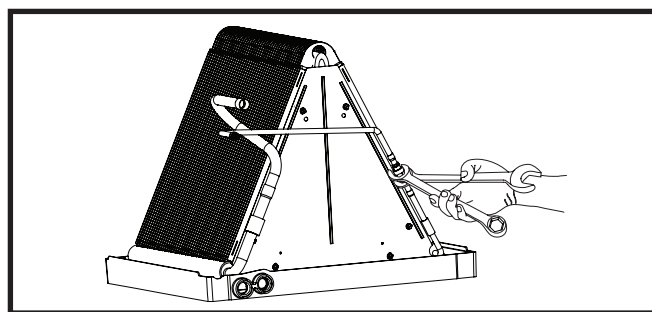


Figure 2. Desserrment de l'écrou et du boîtier du distributeur

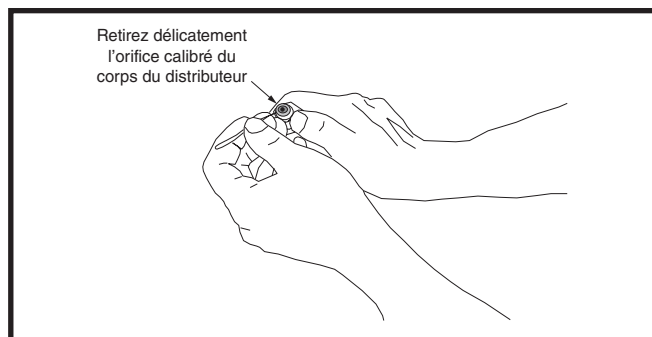


Figure 3. Démontage de l'orifice

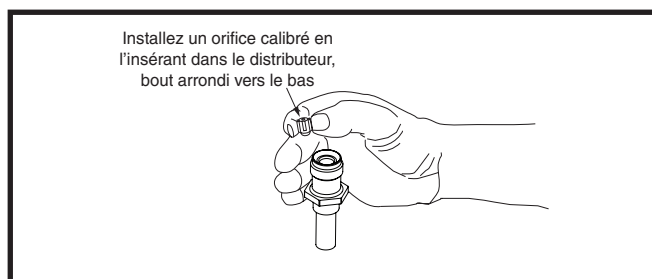


Figure 4. Insertion de l'orifice calibré dans le corps du distributeur

HAUTEUR DU SERPENTIN	ARMOIRE	TROUSSE DE CONDUITE DE LIQUIDE
18 po	A	921824
18 po	B	921825
24 po	B	921826
18 po	C	921827
24 po	C	921828
28 po	C	921829
24 po	D	921830
28 po	D	921831

Tableau 2. Trousse de conduite de liquide

- La méthode d'élimination du condensat varie selon les codes locaux. Consultez les codes locaux ou les autorités qui ont juridiction pour connaître les restrictions et les exigences de mise au rebut appropriée du condensat.
- Tous les bacs à condensat sont pourvus de branchements d'évacuation primaire et secondaire pour être conformes aux exigences du FHA. Si l'application se trouve dans ou au-dessus d'un espace habité qui pourrait être endommagé par un débordement du condensat, un drain supplémentaire de 3/4 po doit être installé sur le branchement d'évacuation secondaire et un deuxième bac d'évacuation doit être installé sous l'appareil en entier. Installez des conduites d'évacuation secondaires où elles seront visibles en cas d'utilisation.
- Le bac de condensat du serpentin est conçu avec des branchements de conduites de 3/4 po NPSC. Utilisez un raccord en PVC ou de matière similaire pour fixer la conduite d'évacuation du bac. **REMARQUE** : Le raccord doit être serré à la main seulement. Un serrage excessif peut fendre le bac d'évacuation et causer une fuite de condensat.
- Le bac de vidange DOIT être vidé à l'aide d'un tube fourni sur place ou d'un tuyau en PVC et adéquatement bouché.

### NOTE IMPORTANTE POUR L'INSTALLATEUR

**Si aucun siphon n'était installé, le condensat pourrait déborder du bac d'évacuation et causer des dommages d'eau considérables dans la zone avoisinante.**

- Amorcez le siphon avec de l'eau. Isolez la conduite d'évacuation si elle se trouve dans un espace non climatisé, et testez la conduite de condensat pour identifier toute fuite. Consultez les codes locaux pour des restrictions et précautions supplémentaires.
- Acheminez les conduites vers un drain approprié en évitant les courbes trop abruptes et les pincements dans les conduites. Le drain doit conserver une pente horizontale minimale dans la direction de l'évacuation d'au moins 1 po vertical tous les 10 pi de conduite horizontale.
- Pendant la vérification du système, inspectez la conduite et les branchements d'évacuation pour assurer l'évacuation appropriée du condensat.

### Filtre à air

Les filtres à air ne sont pas fournis avec ce serpentin; toutefois, une trousse de filtre à air est disponible. Consultez la Liste des pièces de rechange pour les numéros de pièces disponibles.

Le filtre doit être installé en amont du serpentin et inspecté fréquemment. Lorsque le filtre devient engorgé de poussière ou de charpie, il doit être remplacé (type jetable) ou nettoyé (type lavable). Il est recommandé d'inspecter et de remplacer les filtres au moins deux fois par année. En règle générale, il est préférable de remplacer ou de nettoyer les filtres au début de chaque saison de chauffage et de climatisation.

### FINALISATION DE L'INSTALLATION

1. Positionnez le plateau de dégivrage de manière à ce que les raccords soient alignés avec les débouchures correspondants.
2. Vérifiez si le système présente des fuites, y compris dans les conduites et les joints brasés.
3. Évacuez l'humidité et les produits non condensables du système pour éviter que l'efficacité soit réduite ou que l'appareil soit endommagé. La plage suggérée d'évacuation est de 350 à 500 microns.
4. Chargez le système de frigorigène. **Veillez consulter le mode d'installation de l'appareil extérieur pour des instructions de charge supplémentaires.**
5. Installez la porte d'accès au serpentin (si elle a été enlevée).
6. **JETEZ CORRECTEMENT TOUTES LES PIÈCES ENLEVÉES.**
7. Branchez la source d'alimentation du présentoir.

## MAINTENANCE ET ENTRETIEN

### **AVERTISSEMENT :**

#### **RISQUE DE DÉCHARGE ÉLECTRIQUE, D'INCENDIE OU D'EXPLOSION**

**Le non-respect des avertissements de sécurité pourrait entraîner des blessures graves ou des dommages matériels importants.**

**Un entretien inapproprié peut provoquer un fonctionnement dangereux, des blessures graves, la mort ou des dommages matériels.**

- **Avant toute intervention, coupez l'alimentation électrique à l'appareil.**
- **Pour l'entretien des commandes, étiquetez tous les fils avant de les débrancher. Rebranchez les fils correctement.**
- **Vérifiez le bon fonctionnement après l'intervention.**

### **MISE EN GARDE :**

**N'utilisez jamais cet appareil sans filtre du système de retour d'air. Remplacez toujours le filtre avec un filtre de la même taille et du même type.**

Pour assurer une performance optimale et minimiser les risques de panne d'équipement, les tâches d'entretien suivantes doivent être effectuées régulièrement sur cet équipement :

1. Le filtre à air installé sur le système doit être vérifié et nettoyé ou remplacé deux fois par an.
2. Vérifiez la propreté du serpentin, du bac d'évacuation et de la conduite d'évacuation du condensat au début de chaque saison de chauffage et de climatisation. Nettoyez au besoin.

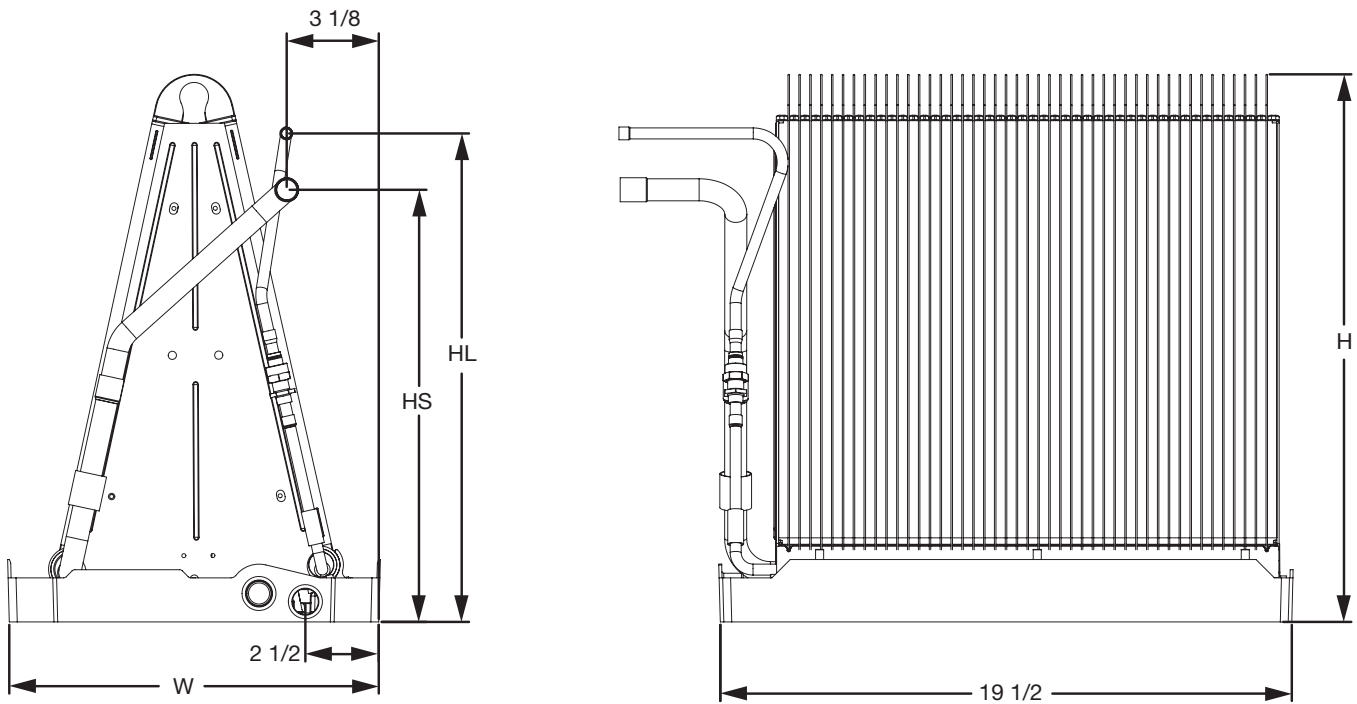


Figure 5. Dimensions du serpentin non coffré C74 (sans détendeur thermostatique)

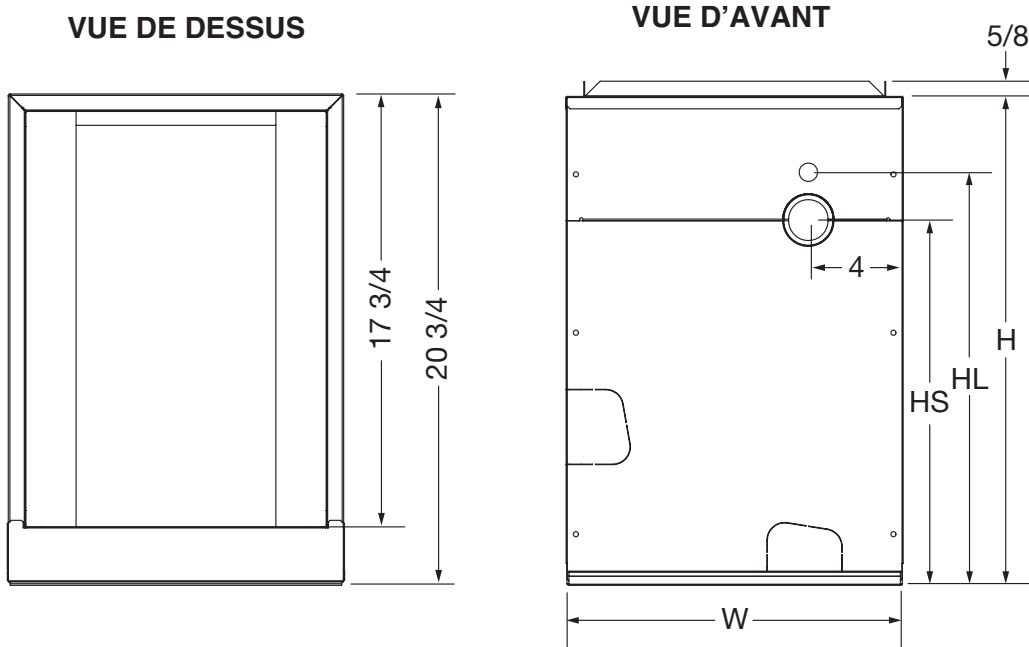


Figure 6. Dimensions du serpentin coffré C74

	APPAREILS ASCENDANTES ET DESCENDANTES									
	ARMOIRE A		ARMOIRE B			ARMOIRE C			ARMOIRE D	
C74BAM	018U-A	02430U-A	018U-B	02430U-B	03642U-B	02430U-C	03642U-C	048U-C	042U-D	048U-D
CAPACITÉ NOMINALE, BTUH MIN.	18,000	24,000	18,000	24,000	36,000	24,000	36,000	48,000	42,000	48,000
CAPACITÉ NOMINALE, BTUH MAX.		30,000		30,000	42,000	30,000	42,000			
TAILLE D'ORIFICE INSTALLÉ (PO)	0.046	0.053	0.046	0.053	0.068	0.053	0.068	0.077	0.068	0.077
W – LARGEUR (PO)	12.75	12.75	16	16	16	19.5	19.5	19.5	23	23
H – HAUTEUR (PO)	18.75	18.75	18.5	18.5	25	17.75	24.5	28.75	24	28.25
HL – HAUTEUR DE LA CONDUITE DE LIQUIDE (PO)	16.75	16.75	16.75	16.75	22.75	22.75	22.75	26.75	26.5	26.75
HS – HAUTEUR DE LA CONDUITE DE SUCCION (PO)	14.75	14.75	14.75	14.75	20.5	20.5	20.75	24.25	24.5	24.75
CONNEXION – CONDUITE DE LIQUIDE	3/8	3/8	3/8	3/8	3/8	3/8	3/8	3/8	3/8	3/8
CONNEXION – CONDUITE DE SUCCION	3/4	3/4	3/4	3/4	7/8	7/8	7/8	7/8	7/8	7/8
TROUSSE DE VIDANGE HORIZONTALE (4)	920265	920265	920265	920265	920266	920265	920266	920267	920267	920267

**TABLE 3. SPÉCIFICATIONS DU SERPENTIN C74BA NON COFFRÉ (ORIFICE SEULEMENT)**

	APPAREILS ASCENDANTES ET DESCENDANTES									
	ARMOIRE A		ARMOIRE B			ARMOIRE C			ARMOIRE D	
C74BAM	018C-A	02430C-A	018C-B	02430C-B	03642C-B	02430C-C	03642C-C	048C-C	042C-D	048C-D
CAPACITÉ NOMINALE, BTUH MIN.	18,000	24,000	18,000	24,000	36,000	24,000	36,000	48,000	42,000	48,000
CAPACITÉ NOMINALE, BTUH MAX.		30,000		30,000	42,000	30,000	42,000			
TAILLE D'ORIFICE INSTALLÉ (PO)	0.046	0.053	0.046	0.053	0.068	0.053	0.068	0.077	0.068	0.077
W – LARGEUR (PO)	14.25	14.25	17.5	17.5	17.5	21	21	21	24.5	24.5
H – HAUTEUR (PO)	20.75	20.75	20.75	20.75	26.75	26.75	26.75	30.25	30.25	30.25
HL – HAUTEUR DE LA CONDUITE DE LIQUIDE (PO)	17.5	17.5	17.5	17.5	23.5	23.5	23.5	27	27	27
HS – HAUTEUR DE LA CONDUITE DE SUCCION (PO)	15.5	15.5	15.5	15.5	21.5	21.5	21.5	25	25	25
CONNEXION – CONDUITE DE LIQUIDE	3/8	3/8	3/8	3/8	3/8	3/8	3/8	3/8	3/8	3/8
CONNEXION – CONDUITE DE SUCCION	3/4	3/4	3/4	3/4	7/8	7/8	7/8	7/8	7/8	7/8
TROUSSE DE VIDANGE HORIZONTALE (4)	920265	920265	920265	920265	920266	920266	920266	920267	920267	920267

**TABLE 4. SPÉCIFICATIONS DU SERPENTIN C74BA COFFRÉ (ORIFICE SEULEMENT)**

	APPAREILS HORIZONTAUX									
	ARMOIRE A		ARMOIRE B			ARMOIRE C			ARMOIRE D	
C74BHM	018C-A	02430C-A	018C-B	02430C-B	03642C-B	02430C-C	03642C-C	048C-C	042C-D	048C-D
CAPACITÉ NOMINALE, BTUH MIN.	18,000	24,000	18,000	24,000	36,000	24,000	36,000	48,000	42,000	48,000
CAPACITÉ NOMINALE, BTUH MAX.		30,000		30,000	42,000	30,000	42,000			
TAILLE D'ORIFICE INSTALLÉ (PO)	0.046	0.053	0.046	0.053	0.068	0.053	0.068	0.077	0.068	0.077
W – LARGEUR (PO)	14.25	14.25	17.5	17.5	17.5	21	21	21	24.5	24.5
H – HAUTEUR (PO)	26.75	26.75	26.75	26.75	26.75	26.75	26.75	30.25	30.25	30.25
HL – HAUTEUR DE LA CONDUITE DE LIQUIDE (PO)	23.5	23.5	23.5	23.5	23.5	23.5	23.5	27	27	27
HS – HAUTEUR DE LA CONDUITE DE SUCCION (PO)	21.5	21.5	21.5	21.5	21.5	21.5	21.5	25	25	25
CONNEXION – CONDUITE DE LIQUIDE	3/8	3/8	3/8	3/8	3/8	3/8	3/8	3/8	3/8	3/8
CONNEXION – CONDUITE DE SUCCION	3/4	3/4	3/4	3/4	7/8	7/8	7/8	7/8	7/8	7/8

**TABLE 5. SPÉCIFICATIONS DU SERPENTIN C74BH COFFRÉ (ORIFICE SEULEMENT)**

**REMARQUES :**

1. Les orifices calibrés individuels sont disponibles par numéro de pièce – PN664\*\*\* (où \*\*\* représente la taille). Exemple : 664103 est un orifice calibré de 0,103 de diamètre.
2. Consultez la fiche des spécifications de vente pour les combinaisons d'équipement et d'accessoires requis Homologués/Certifiés.
3. Consultez le répertoire ARI à jour pour les classements certifiés des systèmes multi-blocs.
4. Non requis pour les serpentins horizontaux « H » prêts.







---

Spécifications et illustrations sujettes à changements sans préavis ou sans aucune obligation.  
(10/22) O'Fallon, MO, © Nortek Global HVAC LLC 2022. Tous droits réservés.

Specifications & illustrations subject to change without notice or incurring obligations (10/22).  
O'Fallon, MO, © Nortek Global HVAC LLC 2022. All Rights Reserved.



**1043410A**  
(Replaces 10434100)  
(Remplace 1043410F0)