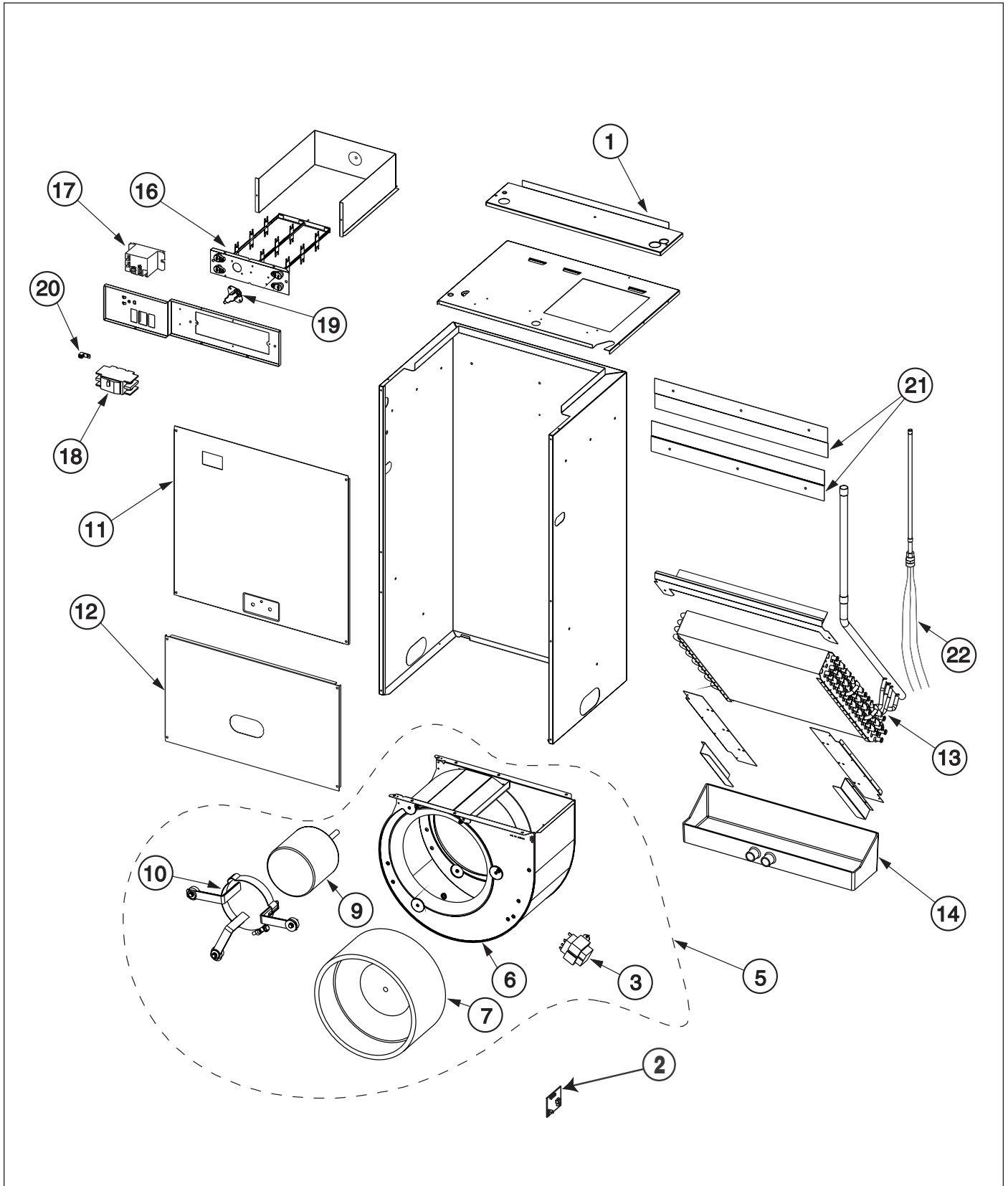


# REPLACEMENT PARTS LIST

## Wall Mount Air Handler (B5BW, GB5BW)



## B5BW Wall Mount Air Handlers

| Item | Description                           | 018K-05   | 024K-05   | 024K-08   | 024K-10   | 030K-05   | 030K-08   | 030K-10   |
|------|---------------------------------------|-----------|-----------|-----------|-----------|-----------|-----------|-----------|
| 1    | Top Panel Assy                        | D12311R   | D12311R   | D12311R   | D12311R   | D12311R   | D12311R   | D12311R   |
| 2    | Circuit Board                         | 624679    | 624679    | 624679    | 624679    | 624679    | 624679    | 624679    |
| 3    | Transformer                           | 621709    | 621709    | 621709    | 621709    | 621709    | 621709    | 621709    |
| 5    | Blower Assy                           | 904578    | 904578    | 904578    | 904578    | 904578    | 904578    | 904578    |
| 6    | Blower Housing                        | 497193    | 497193    | 497193    | 497193    | 497193    | 497193    | 497193    |
| 7    | Blower Wheel                          | 667251    | 667251    | 667251    | 667251    | 667251    | 667251    | 667250    |
| 9    | Motor, Blower                         | M0027801R | M0027801R | M0027801R | M0027801R | M0027801R | M0027801R | M0027801R |
| 10   | Motor Mount                           | 913871    | 913871    | 913871    | 913871    | 913871    | 913871    | 913871    |
| 11   | Front Access Panel                    | D12301R   | D12301R   | D12301R   | D12301R   | D12301R   | D12301R   | D12301R   |
| 12   | Bottom Access Panel                   | 392301R   | 392301R   | 392301R   | 392301R   | 392301R   | 392301R   | 392301R   |
| 13   | Coil Assy (See Note)                  | 919493D*  | 919493D   | 919493D   | 919493D   | 919707D   | 919707D   | 919707D   |
| 14   | Drain Pan                             | 669360    | 669360    | 669360    | 669360    | 669360    | 669360    | 669360    |
| 16   | Repl Element Assy                     | 270871R   | 270871R   | 270872R   | 270873R   | 270871R   | 270872R   | 270873R   |
| 17   | Relay, Element                        | 621898    | 621898    | 621921    | 621921    | 621898    | 621921    | 621921    |
| 18   | Circuit Breaker                       | 632249    | 632249    | 632249    | 632249    | 632249    | 632249    | 632249    |
| 19   | Limit Switch                          | 626408    | 626408    | 626407    | 626407    | 626408    | 626407    | 626407    |
| 20   | Ground Lug                            | 631431    | 631431    | 631431    | 631431    | 631431    | 631431    | 631431    |
| 21   | Mounting Bracket                      | 176351    | 176351    | 176351    | 176351    | 176351    | 176351    | 176351    |
| 22   | Distributor                           | 664363    | 664280    | 664280    | 664280    | 664337    | 664337    | 664337    |
|      | Fuse, 3 AMP (Not Shown)               | 632261    | 632261    | 632261    | 632261    | 632261    | 632261    | 632261    |
|      | Filter (Not Shown)                    | 668934    | 668934    | 668934    | 668934    | 668651    | 668651    | 668651    |
|      | Harness, Low Voltage (Not Shown)      | 634677    | 634677    | 634677    | 634677    | 634677    | 634677    | 634677    |
|      | Restrictor (Not Shown)                | 664053    | 664060    | 664060    | 664060    | 664067    | 664067    | 664067    |
|      | Decorator Panel, Optional (Not Shown) | 903892    | 903892    | 903892    | 903892    | 919583    | 919583    | 919583    |
|      | Set of Wires (Not Shown)              | M0027601R | M0027601R | M0027601R | M0027601R | M0027601R | M0027601R | M0027601R |
|      | Close Off Panel (Not Shown)           | -         | -         | -         | -         | 294261    | 294261    | 294261    |
|      | Solenoid Assy (Not Shown)             | -         | 275781    | 275781    | 275781    | 275781    | 275781    | 275781    |

\*Note: Requires restrictor change to 664053 when replacing coil in 018 system

