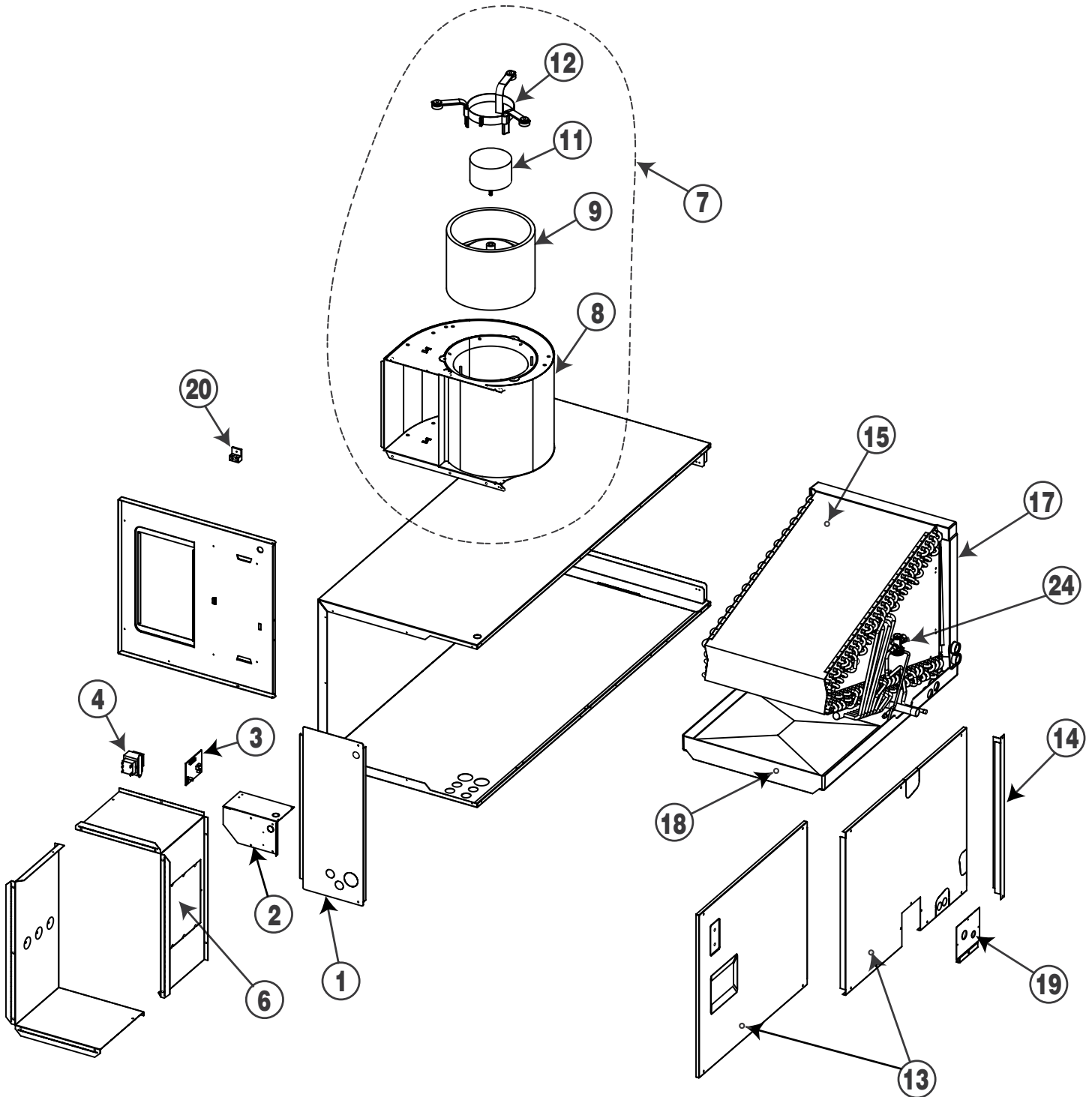


## Indoor Air Handler B4 & GB4 Series



B4VM Variable Speed Air Handlers					B4VM-B (X Series) Variable Speed Air Handlers (Units manufactured before January 2006)			
ITEM	DESCRIPTION	036K-C	048K-C	060K-C	X24K-BB	X36K-CB	X48K-CB	X60K-CB
1	Top Cap Assy	389394	389394	389394	389393	389394	389394	389394
2	Electrical Panel	278861	278861	278861	M0010011R	M0010011R	M0010011R	M0010011R
3	Control Board	903915A	903915A	903915A	903915A	903915A	903915A	903915A
4	Transformer	622335	622335	622335	622335	622335	622335	622335
6	Plate, Element Close-Off	226420	226420	226420	226420	226420	226420	226420
7	Blower Assy	903766	903766	903766	903775	903766	903766	903766
8	Blower Housing	D07484R	D07484R	D07484R	497227	D07484R	D07484R	D07484R
9	Blower Wheel	667277	667277	667277	667258	667277	667277	667277
11	Blower Motor (For units produced before Jan. 31 2006)	622028	622028	622028	622027	622028	622028	622028
	Blower Motor (For units produced on or after Feb 1 2006)	M0021802R	M0021802R	M0021802R	M0021801R	M0021802R	M0021802R	M0021802R
12	Kit, Motor Mount	903489	903489	903489	903489	903489	903489	903489
13	Door Assy	903913	903913	903913	903724	903913	903913	903913
14	Cover, Filter	D08766	D08766	D08766	D08765	D08766	D08766	D08766
15	Replacement Coil	921954	921955	921955	921952	921954	921955	921955
	TXV Kit (For Replacement coil)	920670A	920672A	920673A	920669A	920670A	920672A	920673A
	Liquid Tube Kit (For Replacement coil)	921290	921291	921291	921288	921290	921291	921291
17	Drain Pan, Vertical	669921	669921	669921	669920	669921	669921	669921
18	Horizontal Drain Pan Only	669857	669857	669857	669855	669857	669857	669857
19	Plate, Tube Close-Off	273451	273451	273451	273451	273451	273451	273451
20	Ground Lug	632235	632235	632235	632235	632235	632235	632235
24	TXV Valve (Not Shown)	904563	904564	904565	904562	904563	904564	904565
	Variable Speed Board (Not Shown)	624627	624627	624627	624627	624627	624627	624627
	Fuse, 5 AMP (Not Shown)	632269	632269	632269	632269	632269	632269	632269
	Gasket, Close-Off (Not Shown)	689603	689603	689603	689603	689603	689603	689603
	Coil Support Rod (Not Shown)	669100	669100	669100	669100	669100	669100	669100
	Harness, Motor Control (Not Shown)	634632	634632	634632	634632	634632	634632	634632
	Harness, Motor,3 wire (Not Shown)	266781	266781	266781	266781	266781	266781	266781
	Harness, Low Voltage (Not Shown)	634649	634649	634649	634649	634649	634649	634649
	Blower Relay (Not Shown)	621931	621931	621931	621931	621931	621931	621931
	Cord Set 9 Pin (Not Shown)	254710	254710	254710	254710	254710	254710	254710
	Set of Wires (Not Shown)	275723	275723	275723	275723	275723	275723	275723
	Drain Plug (Not Shown)	663351	663351	663351	663351	663663	663663	663663

Please specify the correct Model No., Serial No, and part No.(s) when ordering parts from the nearest authorized dealer or service center.

## B4VM (X Series) Variable Speed Air Handlers (Effective January 2006)

ITEM	DESCRIPTION	X24K-A	X24K-B	X30K-A	X30K-B	X36K-B	X48K-B	X48K-C	X60K-C
1	Top Cap Assy	281951R	281963R	281951R	281963R	281963R	291963R	281964R	281964R
2	Electrical Panel	M0023203R	M0023203R	M0023203R	M0023203R	M0023203R	M0023203R	M0023203R	M0023203R
3	Control Board	904531	904531	904531	904531	904531	904531	904531	904531
4	Transformer	622336	622335	622336	622336	622335	622336	622335	622335
	Transformer (with Comfort Alert Module)	622336	622336	622336	622336	622336	622336	622336	622336
6	Plate, Element Close-Off	226420	226420	226420	226420	226420	226420	226420	226420
7	Blower Assy	904539	904540	904539	904540	904540	904540	904541	904541
8	Blower Housing	D07481R	497227	D07481R	497227	497227	497227	D07484R	D07484R
9	Blower Wheel	667251	667258	667251	667258	667258	667258	667280	667280
11	Blower Motor	M0021804R	M0021805R	M0021804R	M0021805R	M0021805R	M0021805R	M0021806R	M0021806R
12	Kit, Motor Mount	921391	903489	921391	903489	903489	903489	903489	903489
13	Door Assembly (For units produced before June 30 2008)	904553	904554	904553	904554	904555	904555	904556	904556
	Door Assembly (For units produced on or after July 1 2008)	904553	904555	904555	904555	904555	904555	904556	904556
14	Cover, Filter	299944R	299945R	299944R	299945R	299945R	299945R	299946R	299946R
15	Replacement Coil (For units produced before June 30 2008)	921951	921952	921951	921952	921953	921953	921955	921955
	Replacement Coil (For units produced on or after July 1 2008)	921951	921953	921951	921952	921953	921953	921955	921955
	TXV Kit (For Replacement coil)	920668A	920668A	920669A	920669A	920670A	920672A	920672A	920673A
	Liquid Tube Kit For Replacement coil (For units produced before June 30 2008)	921287	921288	921287	921288	921289	921289	921291	921291
	Liquid Tube Kit For Replacement coil (For units produced on or after July 1 2008)	921287	921289	921287	921288	921289	921289	921291	921291
17	Drain Pan, Vertical	669919	669920	669919	669920	669920	669920	669921	669921
18	Horizontal Drain Pan Only (For units produced before June 30 2008)	669855	669855	669855	669855	669856	669856	669857	669857
	Horizontal Drain Pan Only (For units produced on or after July 1 2008)	669855	669856	669855	669855	669856	669856	669857	669857
19	Plate, Tube Close-Off	295471R	295471R	295471R	295471R	295471R	295471R	295471R	295471R
20	Ground Lug	632235	632235	632235	632235	632235	632235	632235	632235
21	TXV Valve (For units produced before June 30 2008)	669564	904562	669565	669565	904563	669568	904564	904565
	TXV Valve (For units produced on or after July 1 2008)	669564	669564	669565	669565	669566	669568	669568	669578
	Variable Speed Board (Not Shown)	624668	624668	624668	624668	624668	624668	624668	624668
	Fuse, 5 AMP (Not Shown)	632269	632269	632269	632269	632269	632269	632269	632269
	Coil Support Rod (Not Shown)	669100	669100	669100	669100	669100	669100	669100	669100
	Harness, Motor (Not Shown)	634632	634632	634632	634632	634632	634632	634632	634632
	Harness, Motor 3 wire (Not Shown)	266782	266782	266782	266782	266782	266782	266782	266782
	Harness, Low Voltage (Not Shown)	634663	634663	634663	634663	634663	634663	634663	634663
	Drain Plug (Not Shown)	663351	663351	663351	663351	663351	663351	663351	663351
	Set of Wires (Not Shown)	286802R	286802R	286802R	286802R	286802R	286802R	286802R	286802R

Please specify the correct Model No., Serial No, and part No.(s) when ordering parts from the nearest authorized dealer or service center.

## GB4VM (X Series) Variable Speed Air Handlers

ITEM	DESCRIPTION	X24K-A	X24K-B	X30K-A	X30K-B	X36K-B	X48K-B	X48K-C	X60K-C
1	Top Cap Assy	281952R	281961R	281952R	281961R	281961R	291961R	281962R	281962R
2	Electrical Panel	M0023203R	M0023203R	M0023203R	M0023203R	M0023203R	M0023203R	M0023203R	M0023203R
3	Control Board	904531	904531	904531	904531	904531	904531	904531	904531
4	Transformer	622336	622335	622336	622336	622335	622336	622335	622335
	Transformer (with Comfort Alert Module)	622336	622336	622336	622336	622336	622336	622336	622336
6	Plate, Element Close-Off	226420	226420	226420	226420	226420	226420	226420	226420
7	Blower Assy	904539	904540	904539	904540	904540	904540	904541	904541
8	Blower Housing	D07481R	497227	D07481R	497227	497227	497227	D07484R	D07484R
9	Blower Wheel	667251	667258	667251	667258	667258	667258	667280	667280
11	Blower Motor	M0021804R	M0021805R	M0021804R	M0021805R	M0021805R	M0021805R	M0021806R	M0021806R
12	Kit, Motor Mount	921391	903489	921391	903489	903489	903489	903489	903489
13	Door Assy (For units produced before Oct. 31 2008)	904553	904554	904553	904554	904555	904555	904556	904556
	Door Assy (For units produced on or after Nov. 1 2008)	904553	904555	904553	904554	904555	904555	904556	904556
14	Cover, Filter	299944R	299945R	299944R	299945R	299945R	299945R	299946R	299946R
15	Replacement Coil (For units produced before Oct. 31 2008)	921951	921952	921951	921952	921953	921953	921955	921955
	Replacement Coil (For units produced on or after Nov. 1 2008)	921951	921953	921951	921952	921953	921953	921955	921955
	TXV Kit (For Replacement coil)	920668A	920668A	920669A	920669A	920670A	920672A	920672A	920673A
	Liquid Tube Kit For Replacement coil (For units produced before Oct. 31 2008)	921287	921288	921287	921288	921289	921289	921291	921291
	Liquid Tube Kit For Replacement coil (For units produced on or after Nov. 1 2008)	921287	921289	921287	921288	921289	921289	921291	921291
17	Drain Pan, Vertical	669919	669920	669919	669920	669920	669920	669921	669921
18	Horizontal Drain Pan Only	669855	669855	669855	669855	669856	669856	669857	669857
	Horizontal Drain Pan Only (Eff. Nov 2008)	669855	669856	669855	669855	669856	669856	669857	669857
19	Plate, Tube Close-Off	295471R	281971R	295471R	295471R	281971R	295471R	281971R	281971R
20	Ground Lug	632235	632235	632235	632235	632235	632235	632235	632235
24	TXV Valve (For units produced before Oct. 31 2008)	669564	904562	669565	669565	904563	669568	904564	904565
	TXV Valve (For units produced on or after Nov. 1 2008)	669564	669564	669565	669565	669566	669568	669568	669578
	Variable Speed Board (Not Shown)	624668	624668	624668	624668	624668	624668	624668	624668
	Fuse, 5 AMP (Not Shown)	632269	632269	632269	632269	632269	632269	632269	632269
	Coil Support Rod (Not Shown)	669100	669100	669100	669100	669100	669100	669100	669100
	Harness, Motor (Not Shown)	634632	634632	634632	634632	634632	634632	634632	634632
	Harness, Motor 3 wire (Not Shown)	266782	266782	266782	266782	266782	266782	266782	266782
	Harness, Low Voltage (Not Shown)	634663	634663	634663	634663	634663	634663	634663	634663
	Drain Plug (Not Shown)	663351	663351	663351	663351	663351	663351	663351	663351
	Set of Wires (Not Shown)	286802R	286802R	286802R	286802R	286802R	286802R	286802R	286802R

Please specify the correct Model No., Serial No, and part No.(s) when ordering parts from the nearest authorized dealer or service center.

**NORDYNE**

COMPLETE COMFORT. GENUINE VALUE.

Specifications & illustrations subject to change without notice or incurring obligations. O' Fallon, MO | Printed in U.S.A. (04/13)



708725J (Replaces 708725H)