



BUN WARMER
Model 8024-BW & 8024-BW-220
OPERATING INSTRUCTIONS

INTRODUCTION

1. Please read instructions before using.
2. When using electrical appliances, basic precautions should always be followed to reduce the risk of fire, electrical shock and injury to persons.
3. Clean machine thoroughly before and after all uses using cleaning instructions below.

SAFETY INSTRUCTIONS

1. Plug electrical cord into a certified electrical outlet with a corresponding voltage rating as listed on the machine model labels.
2. Always unplug the electric cord when appliance is not in use and before cleaning, adjusting or maintaining this machine. Do not operate with a damaged cord or plug or after the machine malfunctions, has been dropped or damaged. Use authorized service for examination, electrical or mechanical adjustment or repair.
3. This machine will be HOT during use and for a short time after it is turned off – BE CAREFUL. To avoid burns, do not let bare skin touch hot surfaces. Keep combustible materials away from appliance.
4. Extreme caution is necessary when any appliance is used by or near children and whenever the appliance is left operating and unattended.
5. This appliance is not intended for use near or around water. Never locate appliance where it may fall into a water container.

PREPARATION

1. Set unit on a flat surface.
2. Position unit near the power outlet. Avoid the use of extension cords. Do not run cord under carpeting or cover with runners or the like. Arrange cord where it will not be tripped over.
3. This warmer has hot and live electrical parts. Do not use it in areas where gasoline, paint or flammable liquids are used or stored.
4. Clean unit thoroughly before use.
5. If unit fails to operate properly when first installed, call NEMCO customer service at 1-800-782-6761.

STARTUP

Unwrap rack and place in the inside of the warmer.

ELECTRICAL REQUIREMENTS

Refer to the product tag (serial plate) on the back of the unit for voltage and wattage requirements. Be sure to plug unit into outlet with sufficient power.

OPERATION

1. Place machine on flat surface as stated above.
2. Plug the electric cord into a 3-wire outlet. Do not use a 2-prong adapter. **NOTE: WHEN MACHINE IS PLUGGED IN IT HAS POWER – BE CAREFUL.** Place buns, still in bags, inside the machine. Leaving the buns in the bag will help the buns stay moist.

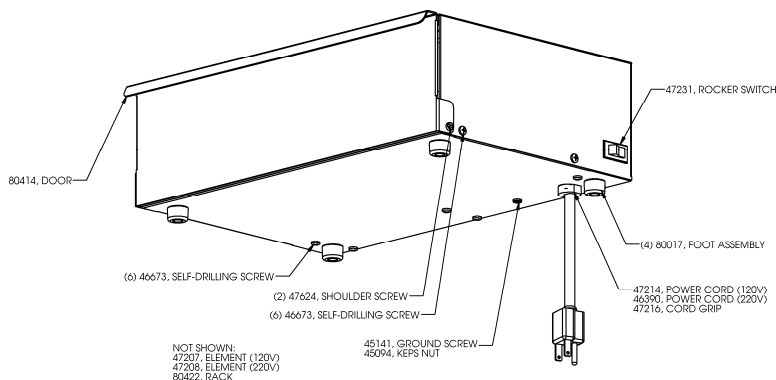
CLEANING

NOTE: Proper maintenance plays an important part in the life span and functioning of the unit.

1. **Unplug the power cord.**
2. Do not immerse in water or other liquid.
3. Remove rack and clean inside and outside of machine by using a damp sponge with mild soap.
4. Clean rack by conventional methods.
5. Wipe dry.

TROUBLESHOOTING

Won't Heat	Check that unit is plugged in and power switch turned on.
	Verify inside bottom surface of unit is warm to the touch. Inside temp should be 100-115°F.
	Check power source for proper voltage and that receptacle is working. If receptacle is properly working and still no heat, call Nemco Customer Service at 1-800-782-6761.
Unit Blows Fuse or Circuit Breaker	Check to make sure circuit is not overloaded.



NOT SHOWN:
 47207, ELEMENT (120V)
 47208, ELEMENT (220V)
 80422, RACK

NEMCO FOOD EQUIPMENT 301 Meuse Argonne Hicksville, OH 43526
 1-800-782-6761 Toll Free 419-542-6690 Fax
www.nemcofoodequip.com



Intertek

47848
 7-30-2012