

INTRODUCTION

1. Please read instructions before using the Egg Slicer.
2. Remove the Egg Slicer from all packaging and clean thoroughly before and after all uses. Cleaning instructions are listed below.

If the Egg Slicer is damaged when received call NEMCO customer service at 1-800-782-6761.

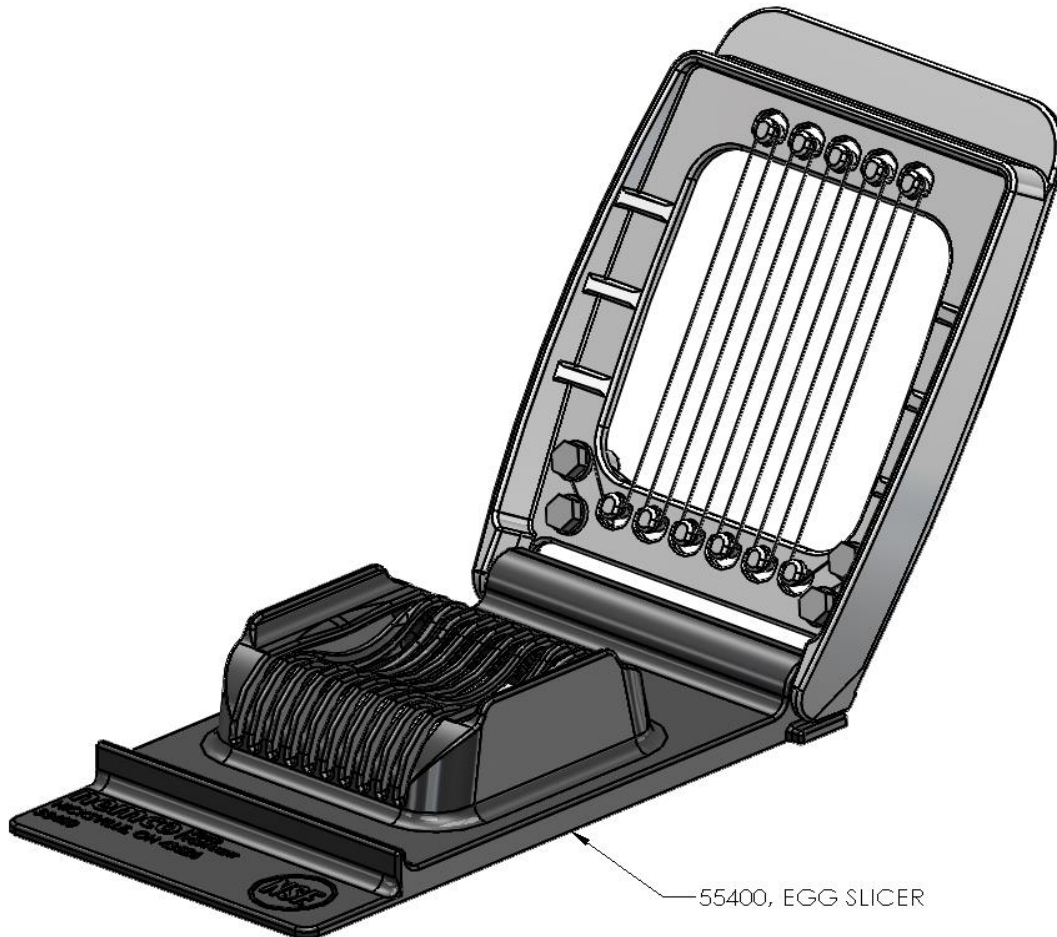
Operation

1. Set unit on a flat surface.
2. Open bow, and place egg on the base.
3. With a steady and smooth motion, close bow and slice egg.
4. Remove egg.

Cleaning

1. Rinse off food particles from Egg Slicer.
2. Using mild dish soap, wipe away food particles and wipe all surfaces of the egg slicer. BE CAREFUL NOT TO DAMAGE WIRES.
3. Sanitize after washing.

The Egg Slicer must be cleaned after each use. DO not leave the Egg Slicer in food products overnight. Follow recommended health department procedures for proper washing, rinsing, and sanitizing of this product.



55400, EGG SLICER

