



ExVection™ Ex6225 Toaster Owner's Manual



FOR YOUR SAFETY:

Do not store or use gasoline or other flammable vapors or liquids in the vicinity of this or any other appliance.

WARNING:

Improper installation, adjustment, alteration, maintenance can cause property damage, injury, or death. Read the installation, operating and maintenance instructions thoroughly before installing or servicing this equipment.

Toaster must be kept free of combustible materials, and the flow of ventilation air must not be obstructed. Operating personnel must not perform any maintenance or repair functions. Contact your Nieco Authorized Dealer.

IMPORTANT: RETAIN THIS MANUAL IN A SAFE PLACE FOR FUTURE REFERENCE



TABLE OF CONTENTS

General Information	3
Site Preparation and Installation, Operating Safety	4
Electrical Safety.	5
Clearance Requirments, Operating Instructions and Settings	6
Programming, Cleaning and Maintenance	7
Troubleshooting Guide, Replacing Elements, Drive Motor and Conveyor Belt.	8
Wiring Diagram.	9
Warranty	10
Specifications	12

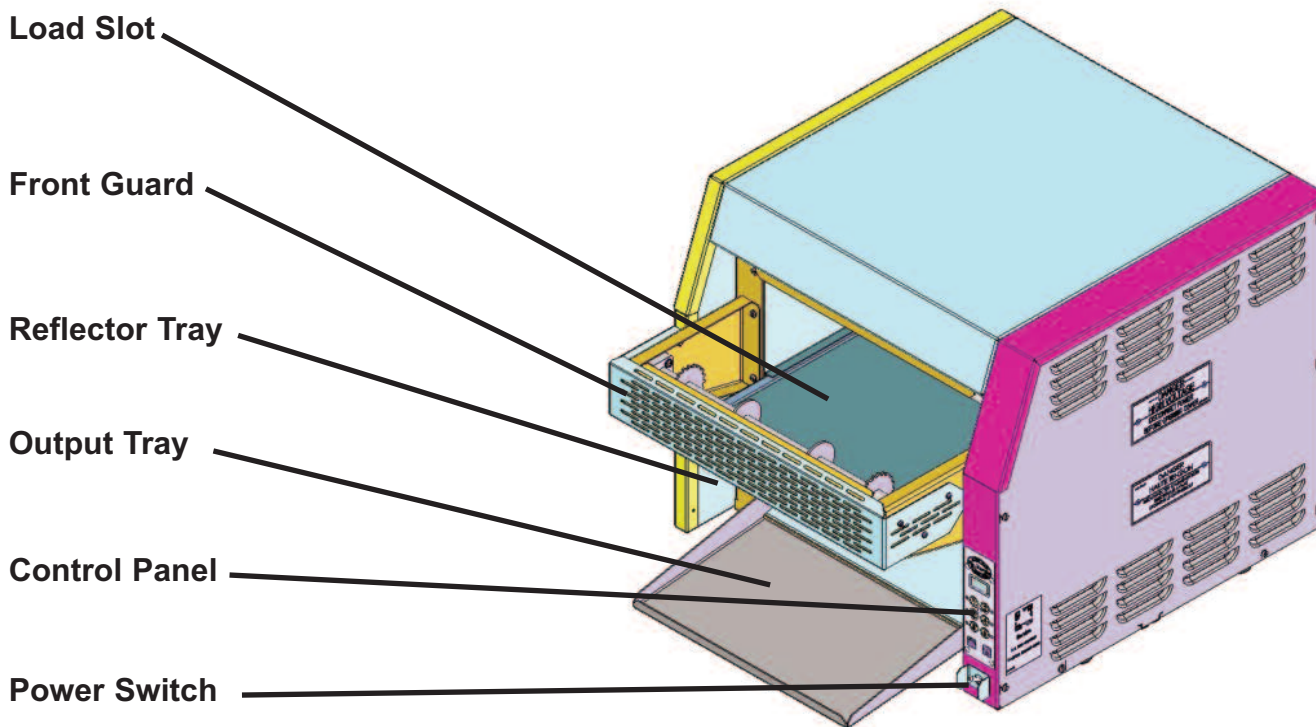


GENERAL INFORMATION

Your Nieco ExVection™ high speed toaster features advanced technology which allows toast times unprecedented in the food service industry. ExVection™ is Nieco's exclusive patented technology that reclaims previously wasted heat and refocuses it on the product. The result is a highly effective and efficient means of toasting product at speeds previously unheard of.

Typically when the product is heated, moisture escapes and forms a layer that acts as an insulator from the heat source. With ExVection technology™ the moisture barrier is dispensed allowing better heat transfer and toasting. The efficiency obtained by utilizing an ExVection™ toaster adds up to big dollar savings as well as a better product and increased customer satisfaction.

Boasting typical toast times ranging from 10 - 14 seconds, your customers will never have to wait for a toasted product. Solid construction, high grade materials including metal sheathed heating elements, contribute to an ultra-reliable toaster maximizing the return on your investment and providing years of trouble free service.



SITE PREPARATION and INSTALLATION

This equipment is built to comply with applicable standards for manufacturers, including approval agencies, such as ETL. Many local codes exist, and it is the responsibility of the owner and installer to comply with these codes.

Check the electrical rating label to ensure that the equipment is connected to the correct voltage, phase, amperage and wattage that are stated on the equipment's identification label. The identification label is located on the back plate of the equipment. A secondary label is included inside the equipment's back plate. This equipment should be connected to a power supply that is 208-240 volts, 60 Hz, AC only. Do not operate on direct current (DC). A substantial voltage drop will cause a loss of power and may damage the equipment. If the equipment does not operate when plugged into an outlet, check the power supply.

Observe all clearance requirements to provide air supply for proper operation, as well as sufficient clearance for servicing. Keep the area around the equipment free and clear of combustibles. Dimensions and clearance specifications are shown under "Specifications for ExVection Toaster 6225" and "Clearances Requirements for ExVection Toaster 6225".



WARNING: The installation and connection must comply with national and local electrical codes. Ensure electrical supply conforms with electrical characteristics shown on the identification label. All services must be performed by a qualified technician.



WARNING: Keep cord clear of the working area. Position the electric cord so that it will not get caught on other equipment or interfere in work space. Failure to do so can result in serious personal injury.



WARNING: Check cords before each use. If damaged, replace immediately. Never use equipment with a damaged cord since touching the damaged area could cause electrical shock resulting in serious injury.

OPERATING SAFETY

- Toaster hot surfaces. Do not touch hot surfaces of operating toaster that can cause serious burn injuries.

WORK AREA

- Keep work area clean and well lit. Cluttered or dark areas can increase the likelihood of accidents.
- Do not set liquids on or near equipment. Liquids entering equipment will increase the risk of electric shock.
- Do not cover equipment or stack other objects on top of equipment. Unattended items on equipment can increase the risk of fire.
- Do not use equipment outdoors. Outdoor conditions can increase the risk of electrical shock.
- Do not place equipment on or near a hot gas or electric burner or in a heated oven. This creates an increased risk of fire and electric shock.

IMPORTANT

The Nieco Corporation reserves the right to change specifications and product design. Such revisions do not entitle the buyer to corresponding changes, improvements, additions or replacements for previously purchased equipment.

ELECTRICAL SAFETY

- Equipment supplied with cord & plug(6-30P). Ensure plug matches the outlet. Never modify the plug in any way. Do not use any adapter plugs. Modified plugs and non-matching outlets will increase the risk of electric shock.
- Avoid body contact with earthed or grounded surfaces such as pipes, radiators, ranges, refrigerators and other foodservice equipment. There is an increased risk of electric shock if your body is earthed or grounded.
- Do not expose equipment to wet conditions. Do not immerse cord, plug or equipment in water or other liquids. Water or other liquids entering equipment will increase the risk of electric shock.
- Do not abuse the cord. Do not yank cord to disconnect from power outlet. Never use the cord for carrying, pulling or unplugging the equipment. Keep cord away from heat, oil, sharp edges, moving parts or the end of table or counter. Damaged or entangled cords increase the risk of electric shock.

FOOD SAFETY

- Equipment must be operated with crumb tray. Equipment is designed to toast bread items within a designed time specified by the operator. To achieve a consistent toast time the equipment requires to be operated with the crumb tray.
- Equipment is designed to toast bread items only. It is not designed to heat or toast protein-laden or grease/fat-laden food products, such as meat sandwiches or buttered toasts. Failure to follow these guidelines may result in fire.

EQUIPMENT USE AND CARE

- Stay alert, watch what you are doing and use common sense when using equipment. Do not use equipment while you are tired or under the influence of drugs, alcohol or medication. A moment of inattention while operating equipment may result in serious personal injury.
- Avoid touching hot metal parts. Do not stand or sit on equipment. This could result in serious personal injury including burns.
- This equipment is not intended for use by persons with reduced physical, sensory or mental capacities. Do not allow persons unfamiliar with the equipment or these instructions to operate. Use of equipment by such persons could result in hazardous situation.
- Do not overreach. Keep proper footing and balance at all times. This enables better control of the equipment in unexpected conditions.
- Do not use the equipment if the switch does not turn it on or off. Any equipment that cannot be controlled with the on/off switch and controls is dangerous and must be repaired.
- Disconnect the plug from the power source before making any adjustment or cleaning the equipment. This may result in increased risk of electric shock.
- Do not use any accessory or attachment not recommended by Nieco. Do not operate equipment on its side or inverted. Do not introduce foreign objects into equipment. Use of equipment other than intended use could result in a hazardous situation.
- Maintain the equipment. Check for breakage of cords, plugs and other parts that may affect the equipment's operation. If damaged, have the equipment repaired before use. Many accidents are caused by poorly maintained equipment.
- Use the equipment in accordance with these instructions and in the manner intended, taking into account the working conditions and work to be performed. Use of the equipment for operations different from those intended could result in a hazardous situation.

SERVICE

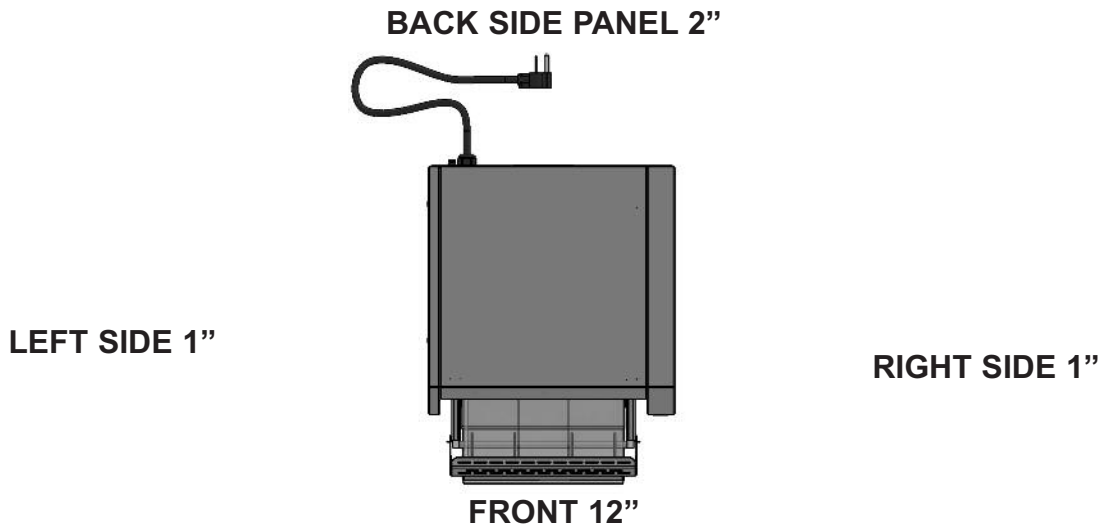
- Have equipment serviced by a qualified repair person using only identical replacement parts. This will ensure that the safety of the equipment is maintained.
- When servicing equipment, use only identical replacement parts. Follow instructions in the maintenance section in this manual. Use of unauthorized parts or failure to follow maintenance instructions may create a risk of shock or injury.

EXTENSION CORD

Do not use an extension cord with this product. Use of an extension cord could violate local code and create a firehazard.

CLEARANCE REQUIREMENTS

This equipment must be installed in accordance with the following clearances in order to provide proper operation and servicing of the appliance. Also, it is recommended that the equipment be installed with sufficient clearances to provide proper cleaning and maintenance.



OPERATING INSTRUCTIONS

Turn the toaster on by pressing the power button. The control, blower and elements will turn on and the conveyor belt will start moving.

Push the product selection button for the item you want to toast. The control will set the speed and heat level.

When you are done with the toaster push the power button to turn it off. The blower will continue to run for approximately 18 minutes to cool the toaster down.

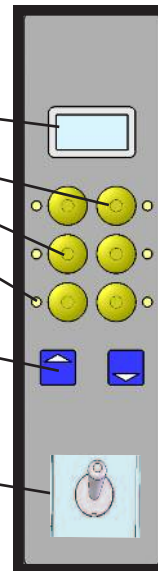
DISPLAY (TIME)

PRODUCT SELECTION BUTTONS

LED LIGHTS FOR SELECTED PRODUCT

UP/DOWN BUTTONS

MAIN POWER SWITCH



**DO NOT UNPLUG
THE TOASTER
WHILE THE
BLOWER IS ON,
EXCEPT IN
EMERGENCY**

SETTINGS

All toasters should be programmed with the following settings:

BUTTON 1: Speed 15, Power 20 (100%)

BUTTON 2: Speed 18, Power 20 (100%)

BUTTON 3: Speed 10, Power 20 (100%)

BUTTON 4: Speed 15, Power 20 (100%)

BUTTON 5: Speed 22, Power 15 (75%)

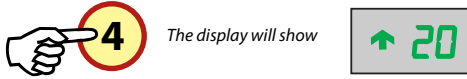
BUTTON 6: Speed 26, Power 15 (75%)

PROGRAMMING

PROGRAMMING

Use the   buttons to change settings.

To program the time and heat, hold down the button you wish to program for 3 seconds.



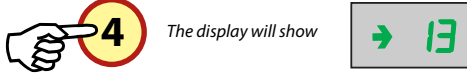
This is the top heat setting, 0 is off and 20 is the maximum setting. For most products, set to 20.

Push the button again to change the bottom heat.



This is the bottom heat setting, 0 is off and 20 is the maximum setting. For most products, set to 20. Some toasters are top heat only, and do not have bottom heaters.

Push the button again to change the speed.



This is the time, in seconds, that it takes to toast.

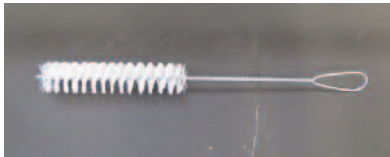
Push and hold the button for 3 seconds to save changes.



This means the changes have been saved.

CLEANING AND MAINTENANCE

Tools



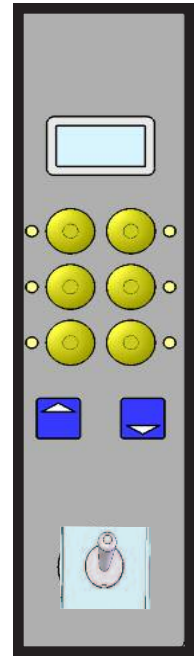
Instructions



1. Wait for toaster to cool.
2. Lift belt and brush the area between the belt.
3. Remove reflector tray.
4. Remove the output tray.
5. Wipe the cavity of the toaster.

Note: The speed can be changed temporarily by using the up or down arrows but will default to programmed settings when a preset button is pressed. Permanent speed changes must be done in programming mode.

Attention! If belt is turning in wrong direction change belt directions as follows: Press and hold product selection button #1 and press product selection button #2 twice. Display should show PASS. Press the up arrow, down arrow, up arrow, down arrow. Display should show V1v4. Press product selection button #1. Display should show FWD or REV. Press the up arrow to change direction. Press and hold production selection button #1 to save.

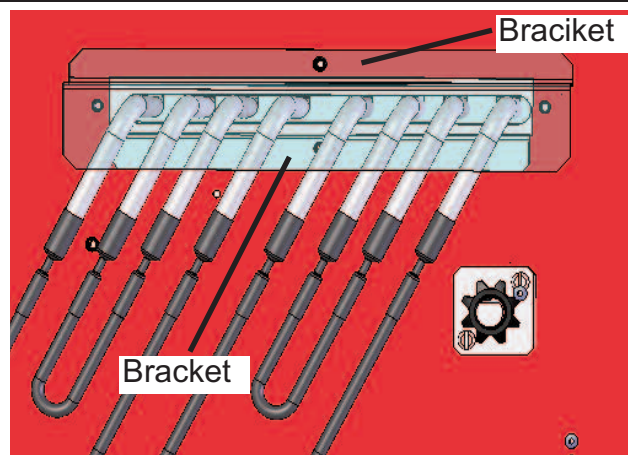


TROUBLESHOOTING GUIDE

PROBLEM	PROBABLE CAUSE	CORRECTIVE ACTION
Equipment doesn't operate	No power: Power plug not plugged in.	Plug in power plug
	Wrong power source	Check power source for proper voltage. Check if power is provided by power outlet.
	Breaker switch tripped	Reset breaker switch inside toaster control area. If breaker continues to trip, call service.
	Broken on/off switch	Call service
Excessive toast time	Heating element failure	Check heating elements. If one or more heating elements stay dark, call service.
	Blower failure	Call for service.

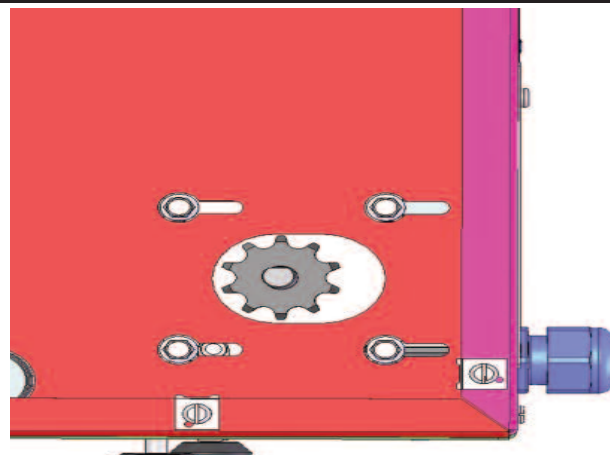
Replacing Heating Elements

1. Unplug unit, remove right side and rear covers.
2. Remove screws holding element brackets and remove brackets and element(s).
3. Disconnect wiring of element(s) to be replaced at terminal block.
4. Install brackets and elements and into toaster, replace screws.
5. Connect element leads to terminal block, replace covers.



Replacing Drive Motor

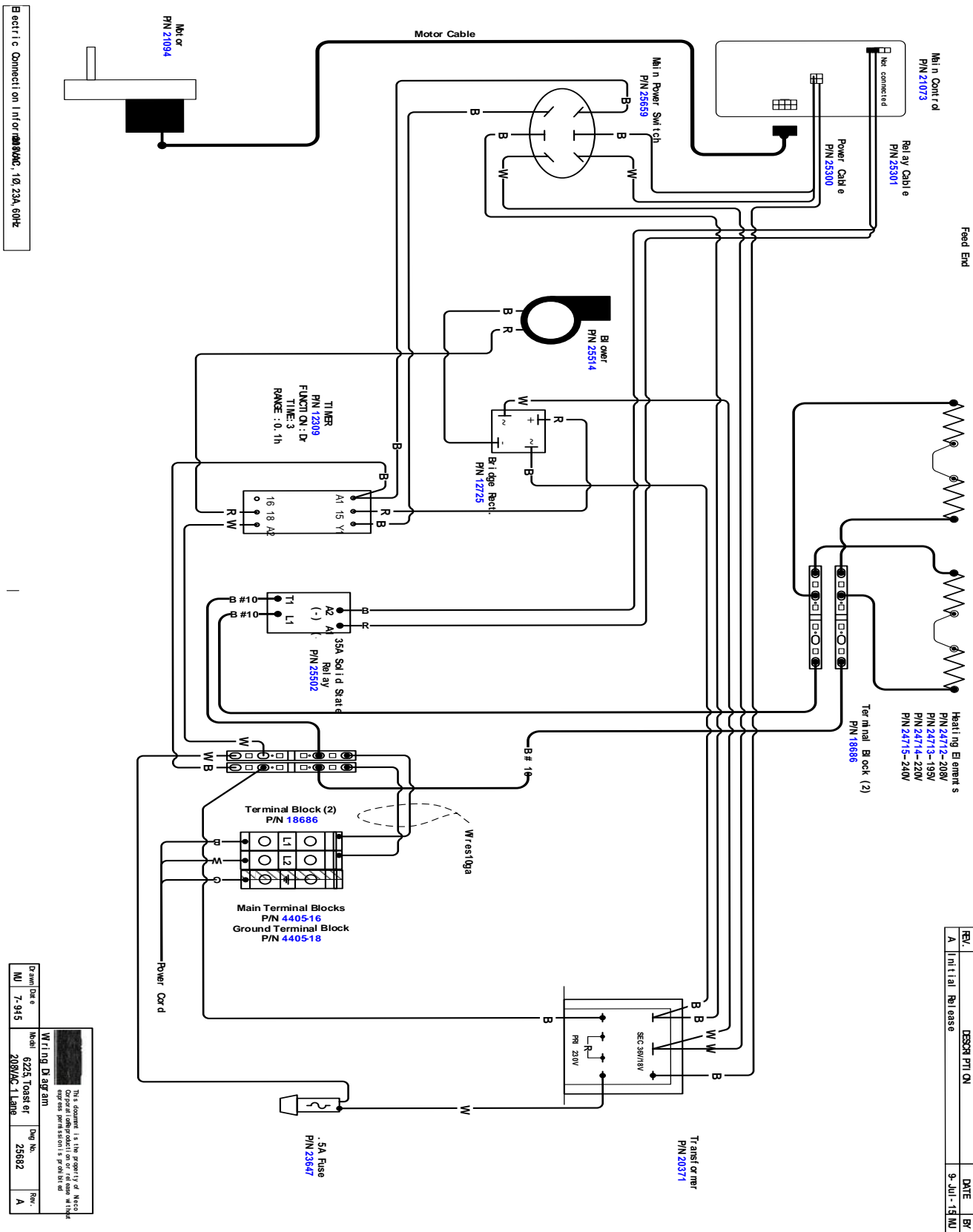
1. Unplug unit, remove right side and rear covers.
2. Unplug motor leads and pull wiring through side case.
3. Loosen motor mounting bolts and remove motor.
4. Installation is the reverse of removal. Leave the motor mounting bolts loose.
5. Adjust motor so there is 3/8" play in the chain at its widest span. tighten bolts and replace covers.



REPLACING CONVEYOR BELT

Refer to video at www.youtube.com/user/NiecoCorp

WIRING DIAGRAM



WARRANTY

Nieco ExVection™ Toaster Warranty

This warranty is effective for all Nieco Toasters shipped after April 1, 2013

Your new Nieco ExVection™ Toaster is guaranteed against original defects in manufacture of machine and component parts. This guarantee is as follows:

- All parts and labour are guaranteed for 2 years except elements as defined below.
- Elements are guaranteed for 2 years against any failure, whatever the cause.
- Elements replacement labour is included for 1 year, after that it is parts only.

Your warranty will begin either on the date you return the Nieco warranty card that is shipped with your machine, or 30 days after shipment of the machine from the Nieco factory.

Generally, your guarantee provides replacement of all parts, which fail due to defects in manufacture for two years after installation of the toaster and validation of the warranty as described above. The Nieco Service provider in your area will replace parts that fail. If the part is one listed below, your Servicer will provide the labour to replace it, subject to certain conditions. The parts that will be replaced are generally parts that require service level installation or adjustment. The parts that may be replaced are listed in the Warranty Parts schedule included. Alternately, at Nieco's discretion, your machine may be swapped for a new or factory reconditioned toaster.

Nieco guarantees the correct mechanical operation of the equipment at the time of installation. Nieco makes no warranty, expressed or implied of toasting effect or of exact capacity as subjective judgments, product variations and or customer caused machine conditions beyond Nieco's ability to predict or control may alter the toasting performance of the machine.

Nieco specifically does not warrant or guarantee or provide compensation for any lost production, lost product, lost labour or lost sales or other consequential damages that may occur as a result of equipment malfunction or failure. This disclaimer of liability for consequential damages applies whether the cause of malfunction or failure is otherwise covered by our warranty or not. In any event, Nieco's liability shall be limited to replacement of the equipment or return of the equipment and refund of the original purchase price.

The Nieco warranty does not cover the following:

1. Ordinary wear and tear, deterioration or damage, except elements that are warrantied against any failure.
2. Defects in parts or performance caused by improper cleaning, maintenance or adjustment.
3. Adjustments are not covered by warranty except when a part needing such is replaced under warranty by a Nieco servicer.
4. Misuse or improper cleaning or assembly of the toaster and its components.
5. External causes of defective performance. This includes electrical supply and hookup parts.
6. Machines that have been improperly repaired by non-Nieco servicers.
7. Machines with parts installed which Nieco does not approve or supply. Approved parts are available from your Nieco Service Centre or otherwise authorized Nieco parts seller. No other parts have been tested or approved by Nieco.
8. Damages caused in shipment.
9. Damage from moisture into electrical components.
10. Damage from tampering with or removal of any safety device.

Warranty items, labour or parts, are available from your Nieco Service provider. Nieco parts may also be purchased directly from Nieco's United States or Canada master parts distributors.

If the unit arrives damaged, contact the carrier immediately and file a damage claim with them. Save all packing materials when filing a claim. Freight damage claims are the responsibility of the purchaser and **ARE NOT** covered under warranty.

Labour warranty is subject to these limitations:

1. Labour warranty work is to be performed during regular working hours. Off-hour labour may be subject to additional charge by the servicer.
2. One-hour travel in each direction to the restaurant from the servicer's place of business is included. Restaurants in more distant or remote locations may be charged additional travel time or overnight accommodation, if necessary.

Your Nieco Service provider will make warranty decisions. Nieco has provided our servicers with guidelines for warranty work and standards for repair time. If your Nieco servicer rejects your warranty claim, you are required to pay the servicer even though you dispute the charge. To dispute any warranty decision, first contact the Service provider principals. If you are not satisfied, contact Nieco Service Department or any Nieco Customer Service administrator. Nieco will immediately investigate your claim and make a warranty decision. If you have paid your servicer and your claim is honored, your money will be refunded. You are responsible for paying the servicer when due, however, regardless of the status of any claim. Go to: service@nieco.com

If you are supplied warranty parts without warranty labour, Nieco or your warranty parts supplier may require the parts to be returned to the factory as a condition of receiving the warranty parts. This is particularly true of high value important components as motors and controls, or any parts showing a pattern of failure. If required, Nieco will pay the return freight cost and give instructions via your servicer on how to return the parts.

Warranty parts not installed by the servicer will be shipped by your servicer or directly from Parts Town. If you require more immediate shipment, your service parts supplier may charge additional for expedited freight service.

If you have qualified maintenance employees or wish to use a qualified non-Nieco agency for warranty labour service otherwise covered under this Nieco warranty, you or your servicer may apply to Nieco for certification as an alternate Nieco servicer. Such servicer shall be solely responsible to the using customer for all actions and liabilities. If Nieco qualifies such servicer, Nieco will pay scheduled warranty allowances to the servicer for warranty work performed. This payment will not include any travel time. Nieco will provide this schedule and limitations when the servicer is qualified and accepted.

Warranty Parts Schedules

These schedules list common parts that are covered as of March 25, 2013. Nieco may from time to time add, alter or delete specific parts as the machine specification or parts availability changes. A current schedule can be obtained from Nieco. Any other warranty work is on an as required basis and will be covered by Nieco servicers.

This warranty is valid for North America and most other countries. Mandated warranties in some countries may vary due to specific warranty laws, requirements or commercial practices or customs in these various countries. Check with the country Nieco Servicer for variations from this basic Nieco warranty.

The parts schedules listed are those common parts that are warranted by Nieco. If the part requires service replacement, your Nieco Servicer will do it, within the terms of this warranty. If your restaurant requires additional service or travel time, your Servicer will make an extra charge for those services or distances.

Toaster Model: Ex6225

Nieco P/N	Description	Standard Repair Time
12725	Bridge Rectifier	30 min.
25502	Solid State Relay, 35A	30 min.
25514	High Pressure Blower	30 min.
20371	Transformer, 100-115/ 230V Input, 36V Output	30 min.
21073	Main Control Board	30 min.
21094	Brushless Motor	30 min.
25659	Main Switch, Toggle	30 min.
24712	Paired Element, 10.88", 1200W, 208V	30 min.

SPECIFICATIONS

Construction

Type 304 Stainless Steel

Electric Power

4.7 KW, max 23 Amps, 208Volts, Single phase

Overall Dimensions

17.1" H x 23.7" L x 18.5" W

Weight

96 Lbs.

Load Slot Height

1.75"

Revision History:

Date	Notes	REV
12-22-2015	Released	A

Nieco Corporation

7950 Cameron Drive

Windsor, CA 95492

(707) 284-7100 Office • (707) 284-7430 Fax

www.nieco.com • e-mail: service@nieco.com

Printed in the USA © 2013 Nieco Corporation

All Rights Reserved P/N 99020

