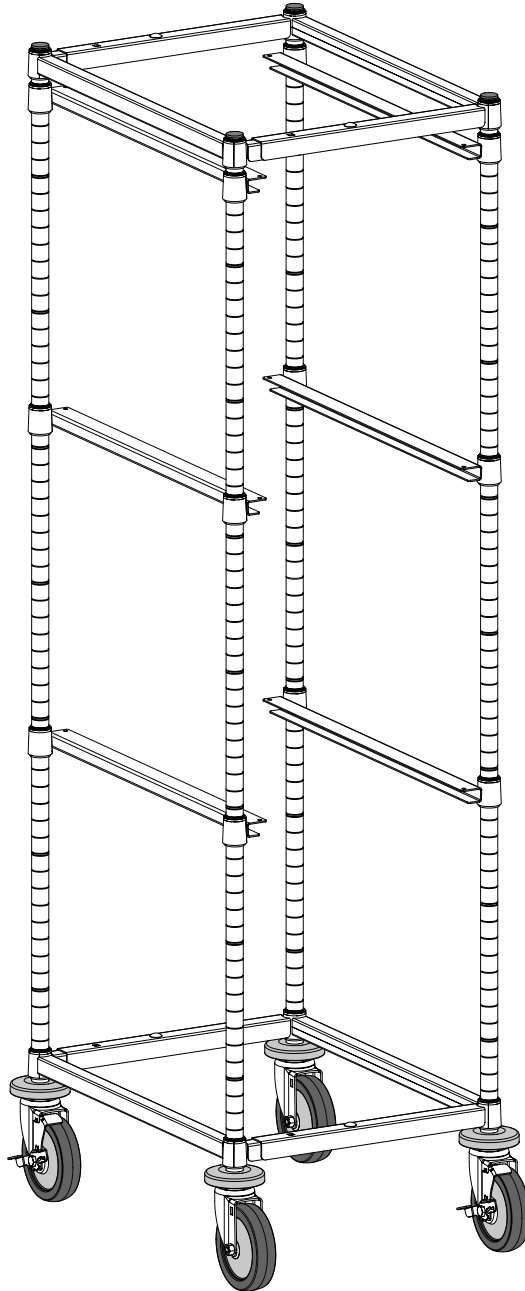


Adjustable PT Truck

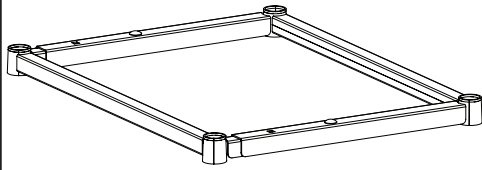


DESCRIPTION

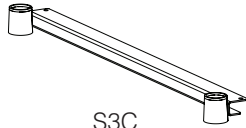
Adjustable PT Truck – This instruction sheet covers assembly procedure for following model [APTIC-5M](#) and [APTIC-5MP](#).

Adjustable PT Truck

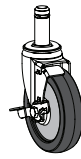
COMPONENTS



Adjustable Frame Assembly
(x2)



S3C Slides
(x6)



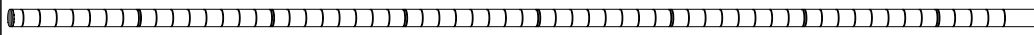
5MPB Poly
5" Swivel Caster
with Brake
(x2)



5MP Resilient
5" Swivel Caster
(x2)



9992DB
3-1/2" Donut Bumper
(x4)



63UP
Post
(x4)

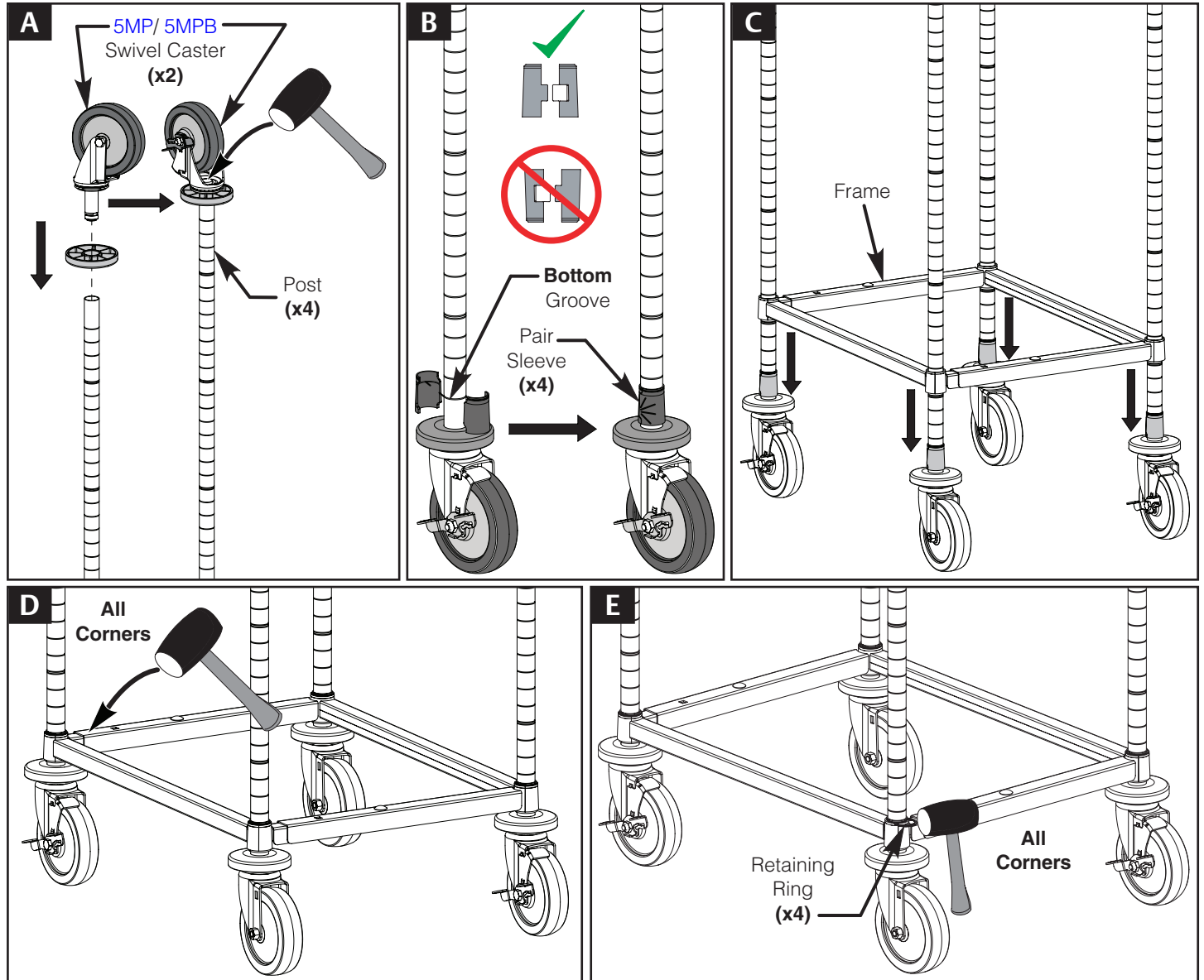


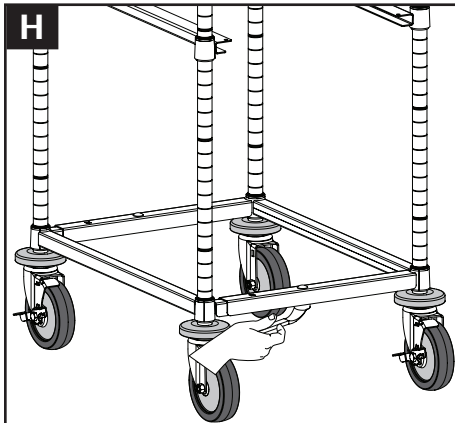
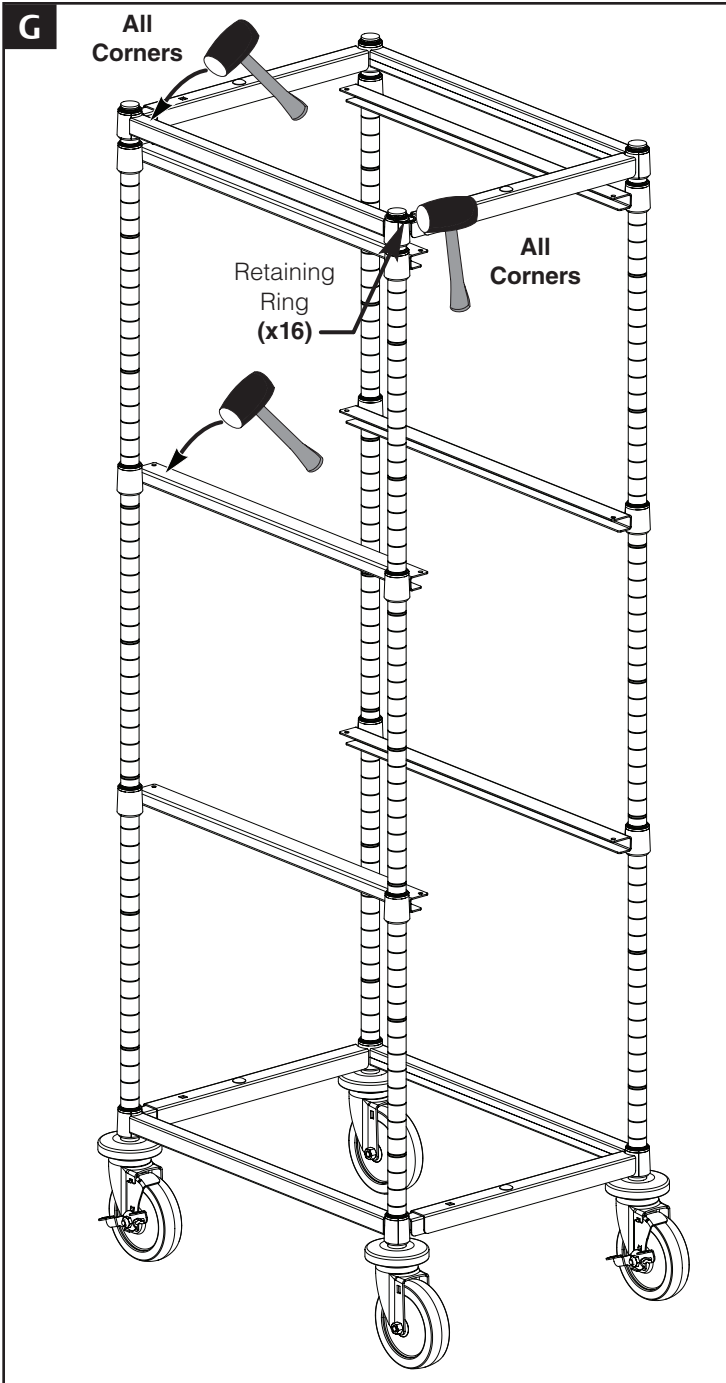
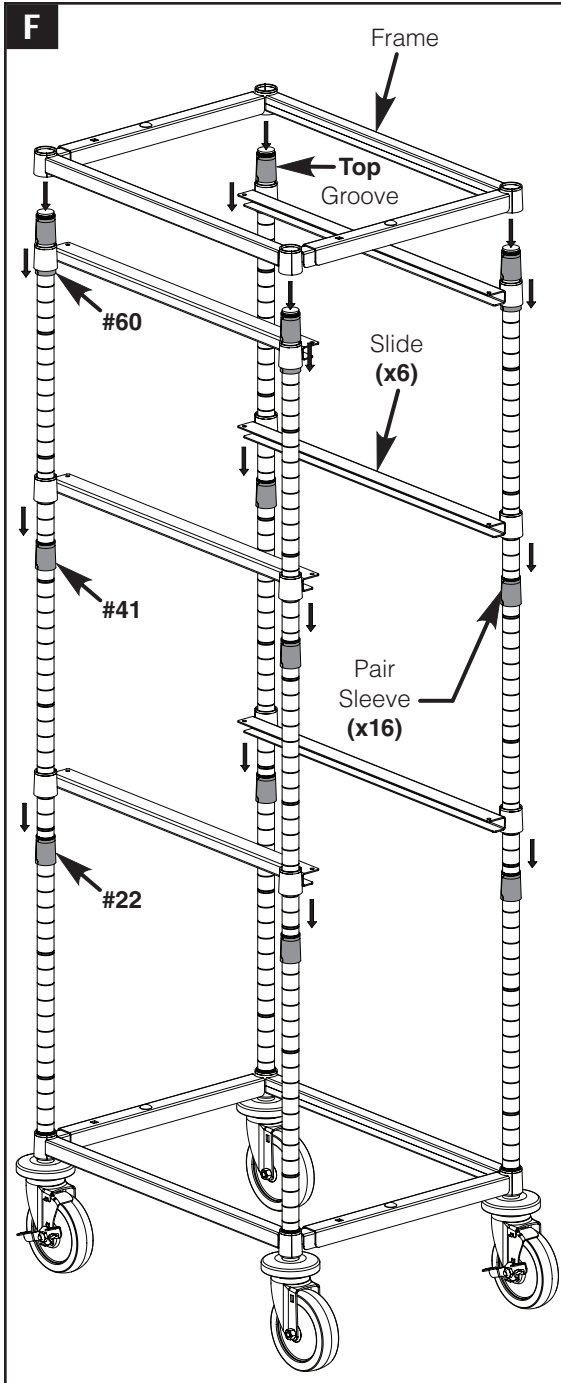
9986N
Aluminum
Split Sleeves
(x20)



9980Z
Retaining Ring
(x20)

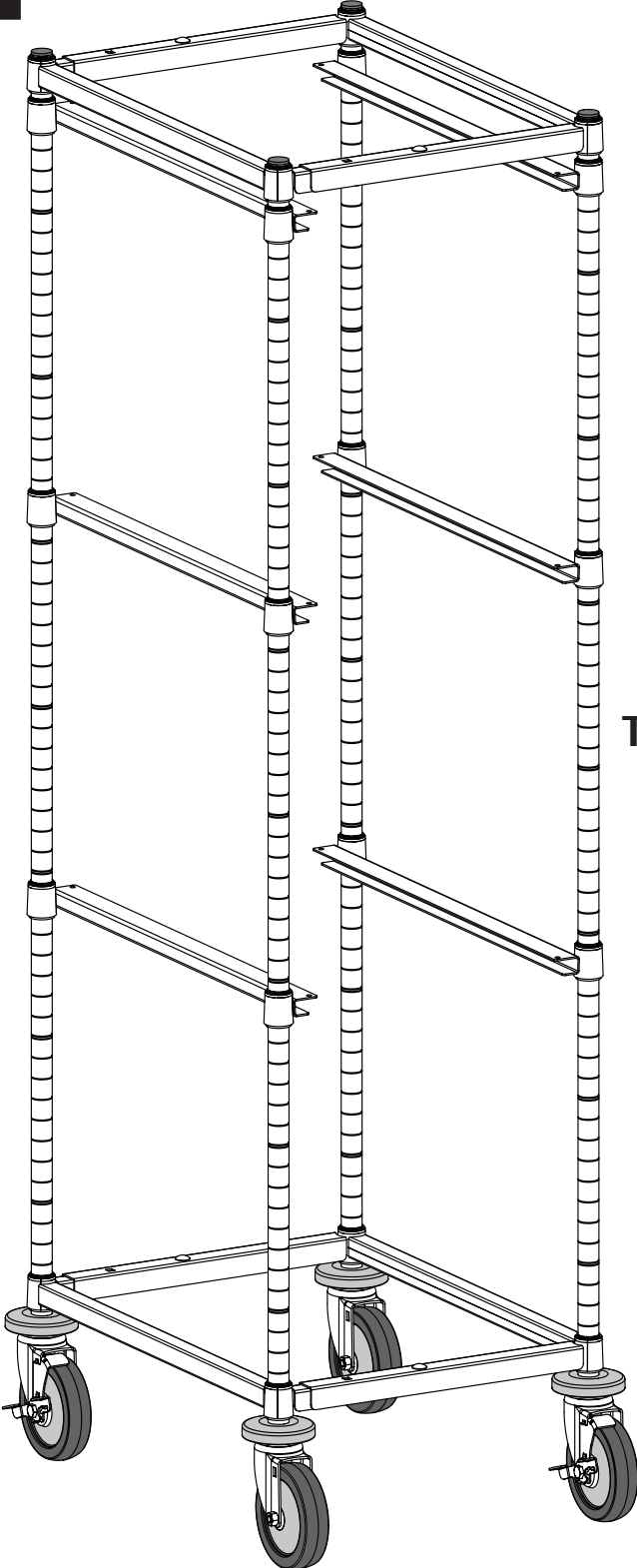
TWO PEOPLE REQUIRED TO ASSEMBLE UNIT





NOTE: The front and back members of the frames telescope to permit a variation of up to 8-3/4" in the horizontal distance between the slides. To change this distance, loosen the 4 nuts, using a socket wrench, on the top and bottom frames. Adjust the frames to the desired opening and then retighten the nuts. Make sure that the horizontal dimension is the same between the top and bottom pair of slides to insure correct adjustment.

I



**THIS COMPLETES THE ASSEMBLY OF THE
ADJUSTABLE PT TRUCK.**

US/Can: 1.800.992.1776
Corporate Headquarters (US): 1.570.825.2741
For Inquiries Outside of the U.S. and Canada, Visit www.metro.com/contactus

www.metro.com

