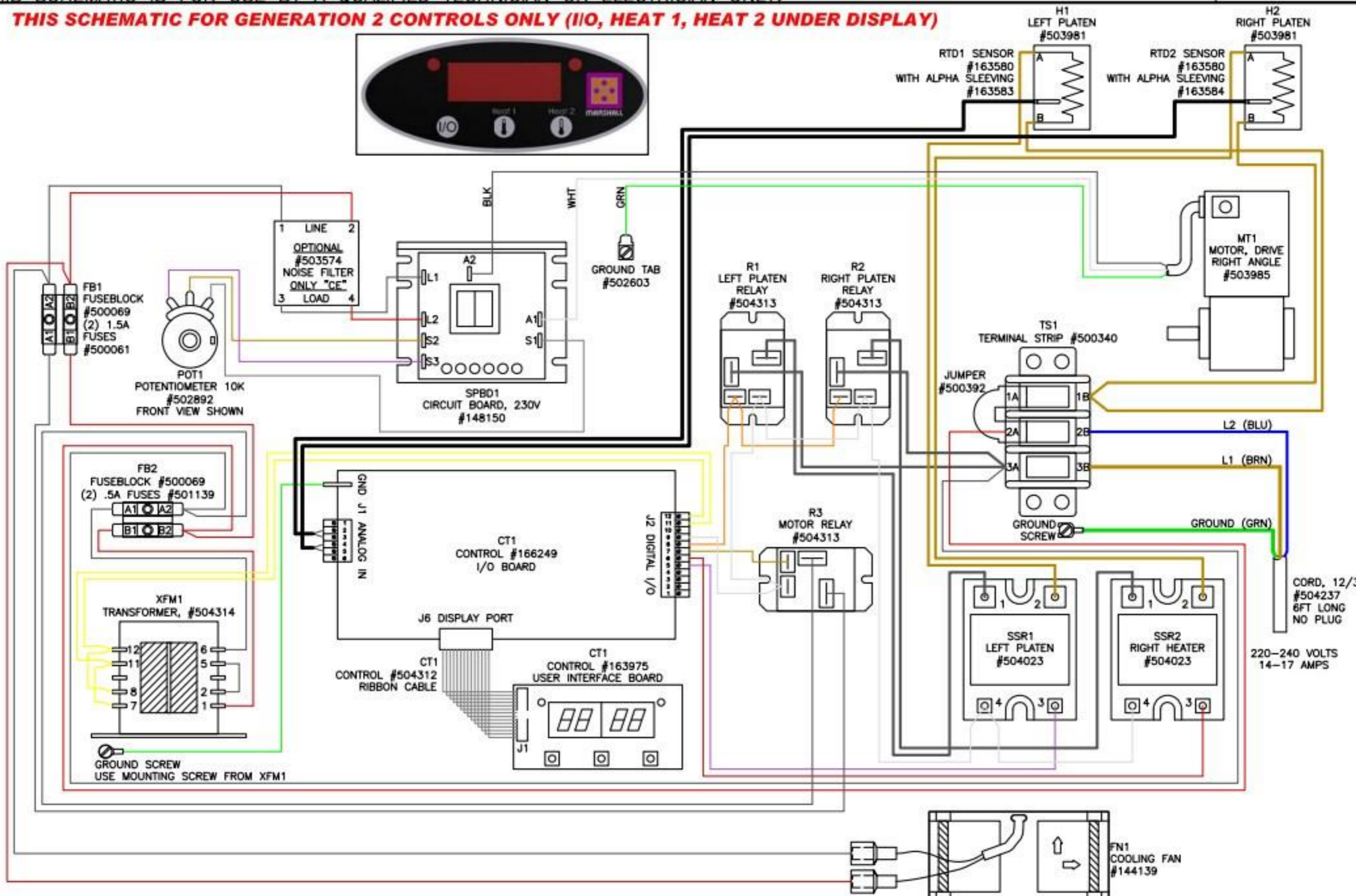


THIS SCHEMATIC IS FOR USE BY A QUALIFIED TECHNICIAN OR ELECTRICIAN ONLY.

THIS SCHEMATIC FOR GENERATION 2 CONTROLS ONLY (I/O, HEAT 1, HEAT 2 UNDER DISPLAY)

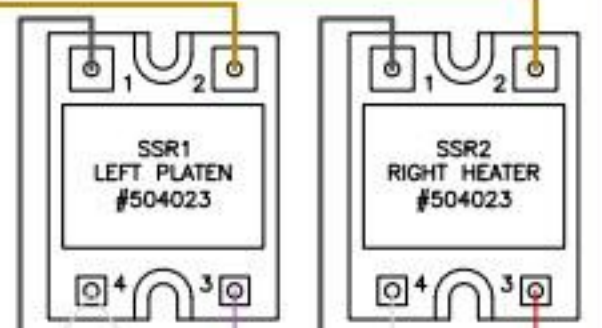
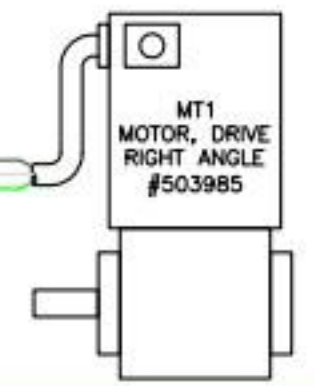
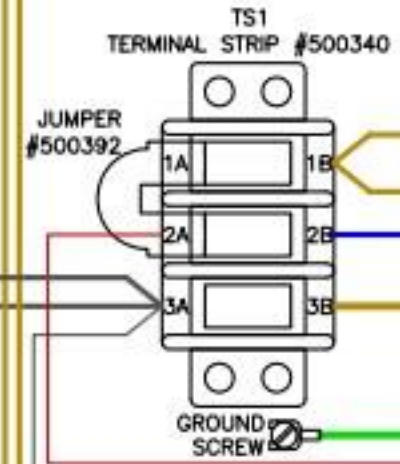
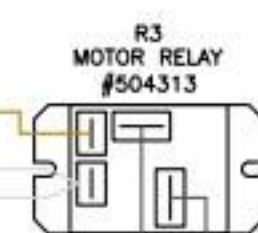
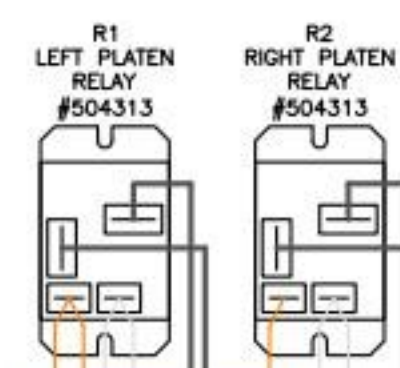
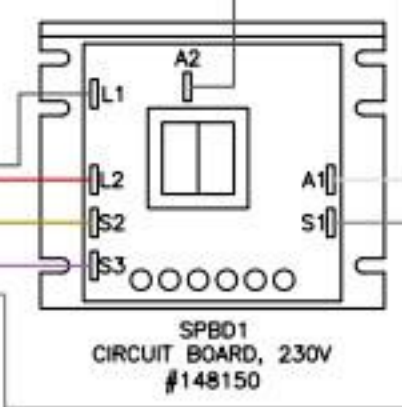
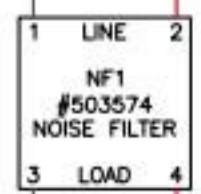
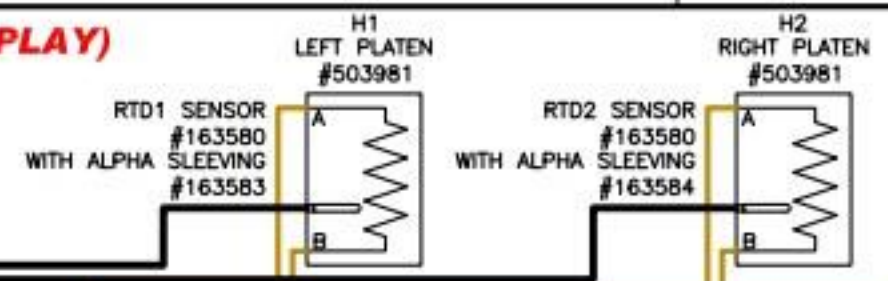
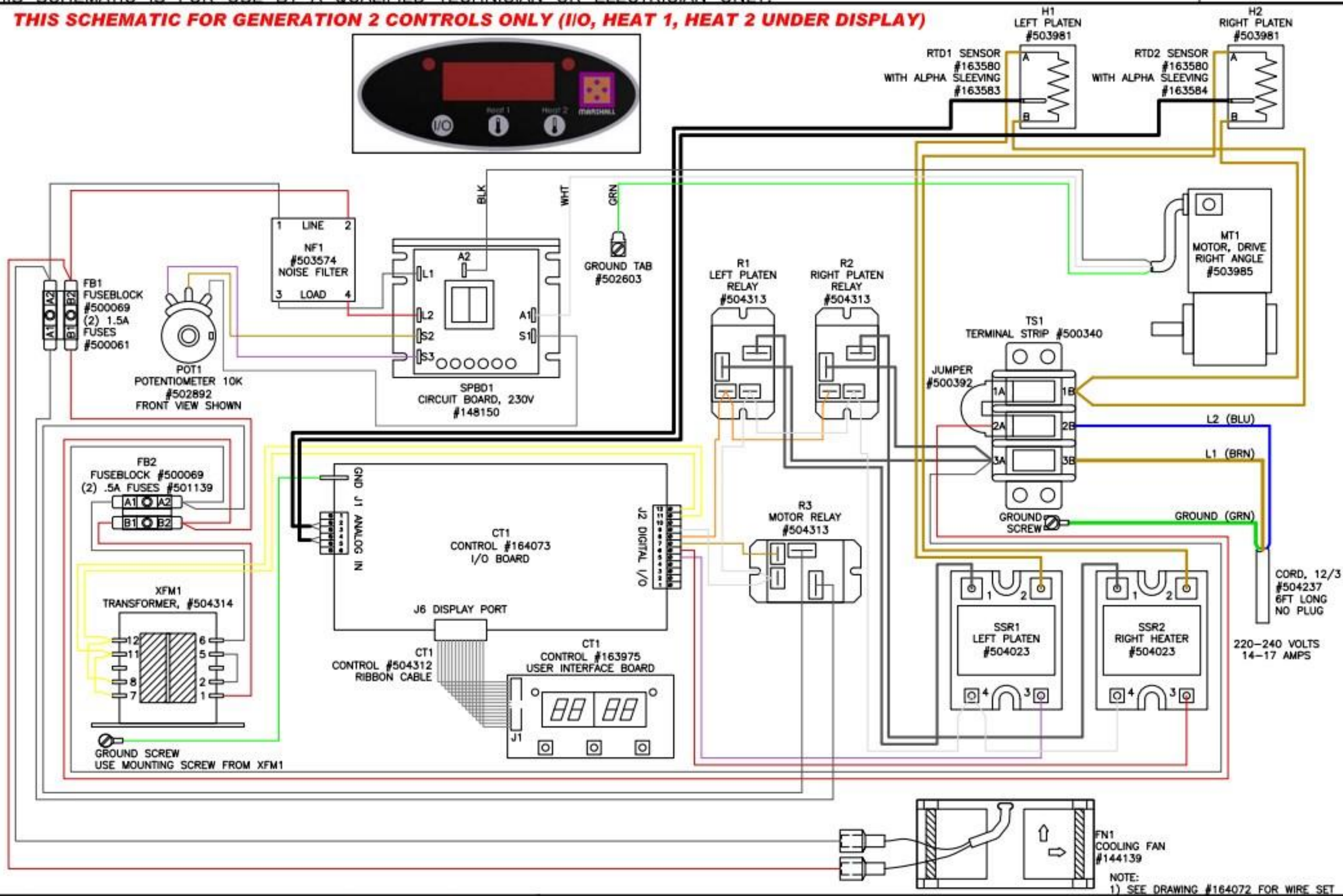


CORD, 12/3 #504237 6FT LONG NO PLUG
220-240 VOLTS 14-17 AMPS

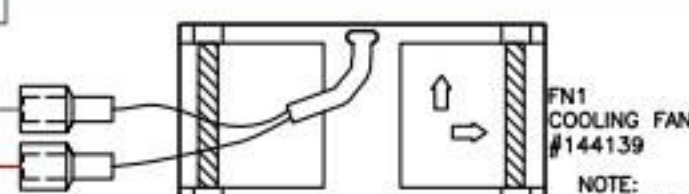
FN1 COOLING FAN #144139

THIS SCHEMATIC IS FOR USE BY A QUALIFIED TECHNICIAN OR ELECTRICIAN ONLY.

THIS SCHEMATIC FOR GENERATION 2 CONTROLS ONLY (I/O, HEAT 1, HEAT 2 UNDER DISPLAY)



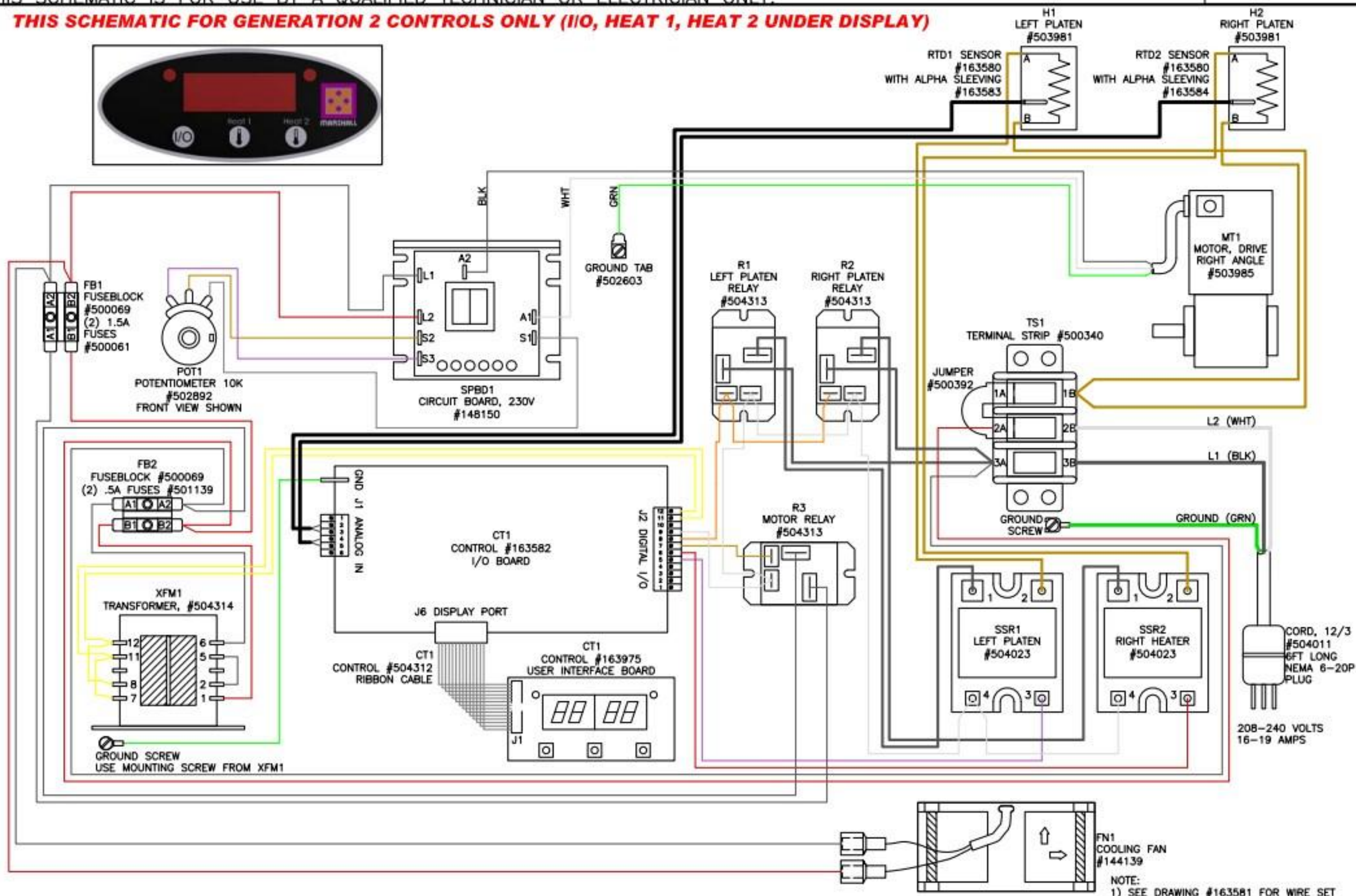
CORD, 12/3 #504237 6FT LONG NO PLUG
220-240 VOLTS 14-17 AMPS



NOTE:
1) SEE DRAWING #164072 FOR WIRE SET

THIS SCHEMATIC IS FOR USE BY A QUALIFIED TECHNICIAN OR ELECTRICIAN ONLY.

THIS SCHEMATIC FOR GENERATION 2 CONTROLS ONLY (I/O, HEAT 1, HEAT 2 UNDER DISPLAY)



FB1 FUSEBLOCK #500069 (2) 1.5A FUSES #500061

POT1 POTENTIOMETER 10K #502892 FRONT VIEW SHOWN

FB2 FUSEBLOCK #500069 (2) .5A FUSES #501139

XFM1 TRANSFORMER, #504314

GROUND SCREW USE MOUNTING SCREW FROM XFM1

SPBD1 CIRCUIT BOARD, 230V #148150

CT1 CONTROL #163582 I/O BOARD

CT1 CONTROL #163975 USER INTERFACE BOARD

R1 LEFT PLATEN RELAY #504313

R2 RIGHT PLATEN RELAY #504313

R3 MOTOR RELAY #504313

H1 LEFT PLATEN #503981
RTD1 SENSOR #163580 WITH ALPHA SLEEVING #163583

H2 RIGHT PLATEN #503981
RTD2 SENSOR #163580 WITH ALPHA SLEEVING #163584

MT1 MOTOR, DRIVE RIGHT ANGLE #503985

TS1 TERMINAL STRIP #500340

JUMPER #500392

SSR1 LEFT PLATEN #504023

SSR2 RIGHT HEATER #504023

CORD, 12/3 #504011 6FT LONG NEMA 6-20P PLUG

208-240 VOLTS 16-19 AMPS

FN1 COOLING FAN #144139

NOTE: 1) SEE DRAWING #163581 FOR WIRE SET

THIS SCHEMATIC FOR GENERATION 1 CONTROLS ONLY (IIO, HEAT 1, HEAT 2 TO RIGHT OF DISPLAY)

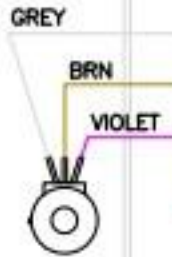
3 DIGIT CONTROL
143852



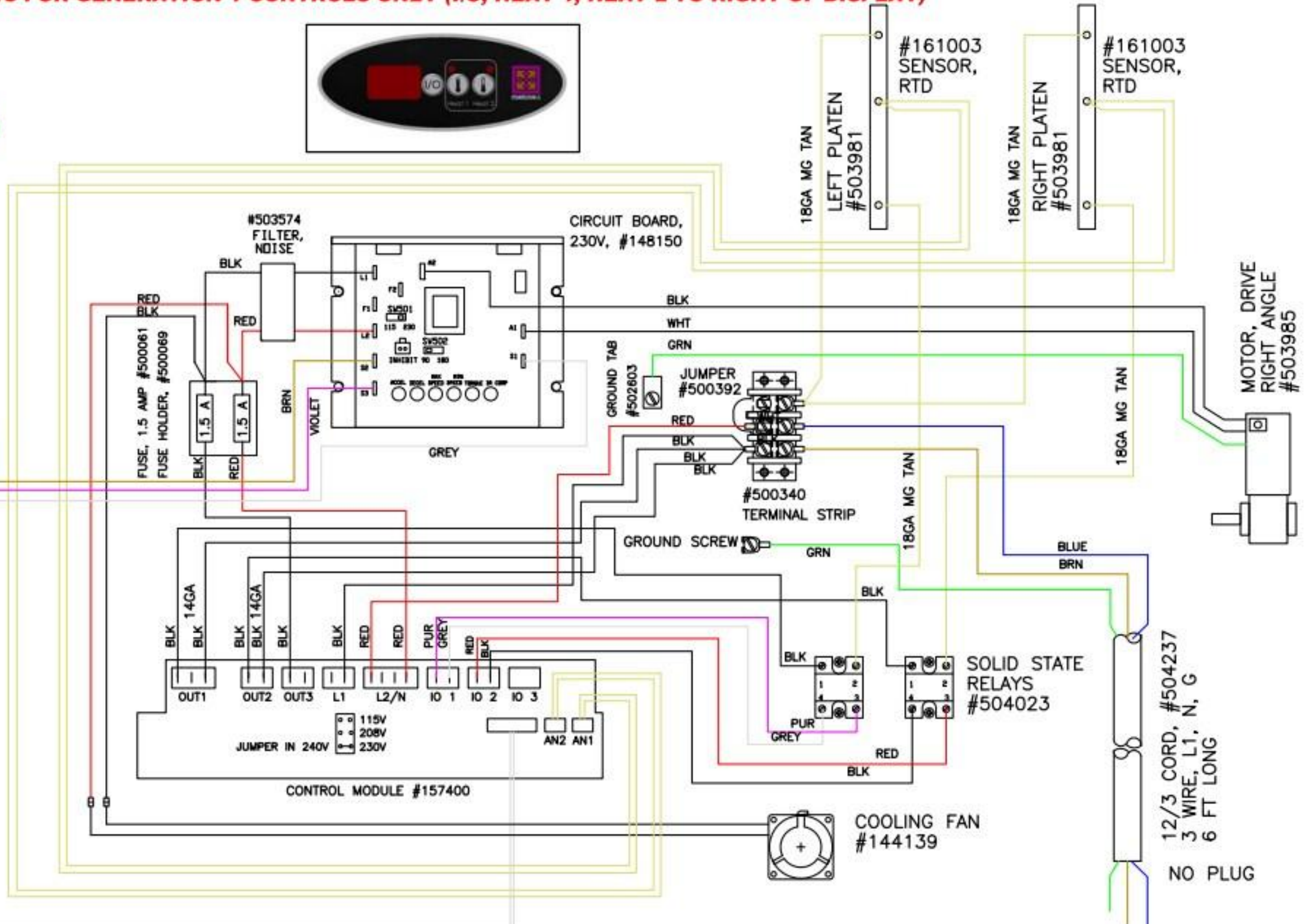
POTENTIOMETER, ROTARY
#502892

KNOB, CLEAR
#502906

VIEW FROM
BACK OF
POTENTIOMETER



GREY CONTROLLER CABLE



19 AMPS

THIS SCHEMATIC IS FOR USE BY A QUALIFIED TECHNICIAN OR ELECTRICIAN ONLY.

THIS SCHEMATIC FOR GENERATION 1 CONTROLS ONLY (IIO, HEAT 1, HEAT 2 TO RIGHT OF DISPLAY)

3 DIGIT CONTROL
143852

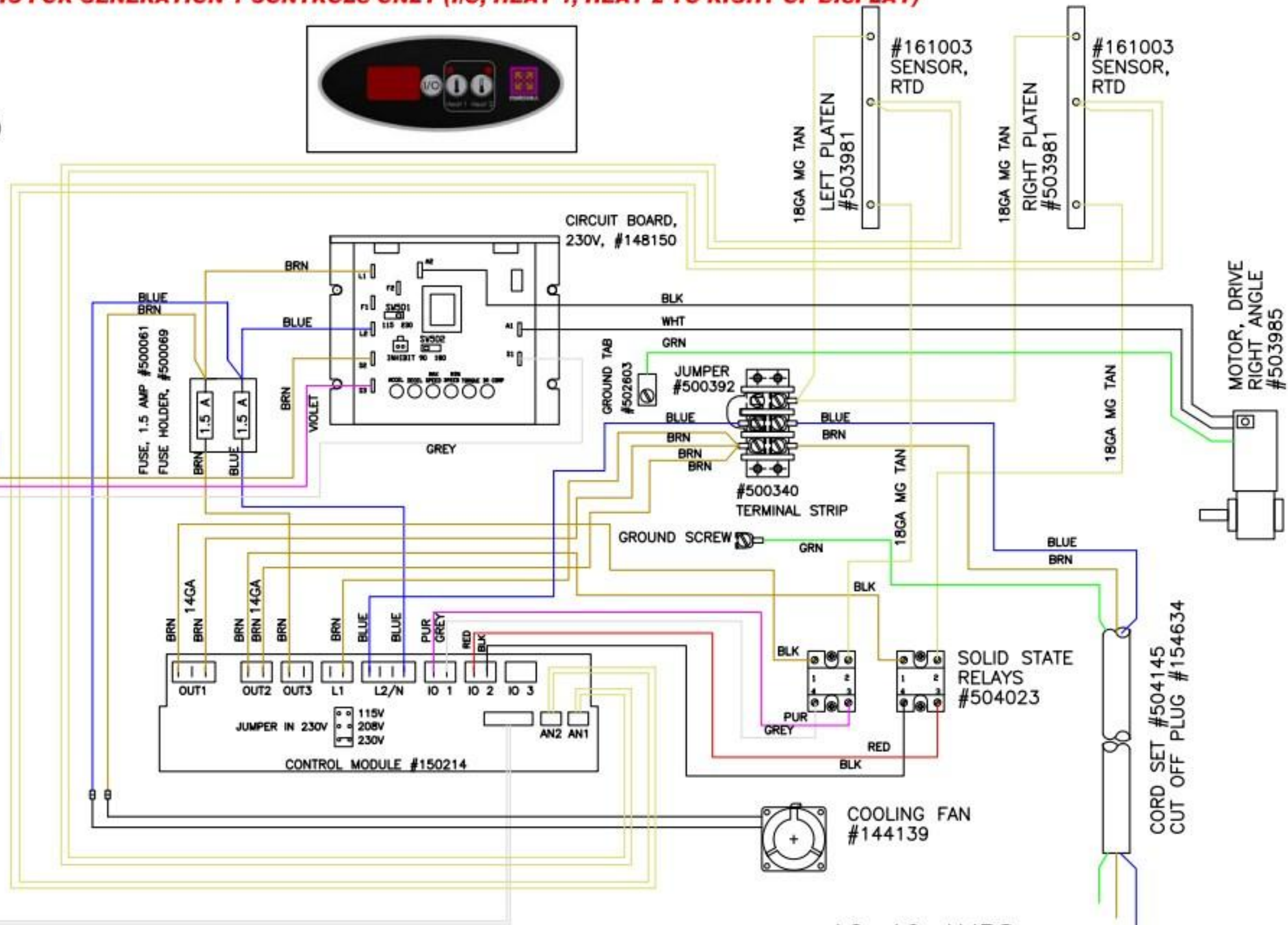


POTENTIOMETER, ROTARY
#502892

KNOB, CLEAR
#502906

VIEW FROM
BACK OF
POTENTIOMETER

GREY CONTROLLER CABLE



16-19 AMPS

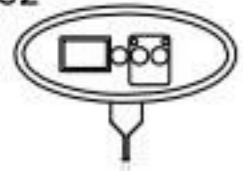
CORD SET #504145
CUT OFF PLUG #154634

THIS SCHEMATIC FOR GENERATION 1 CONTROLS ONLY (IIO, HEAT 1, HEAT 2 TO RIGHT OF DISPLAY)

3 DIGIT CONTROL
143852



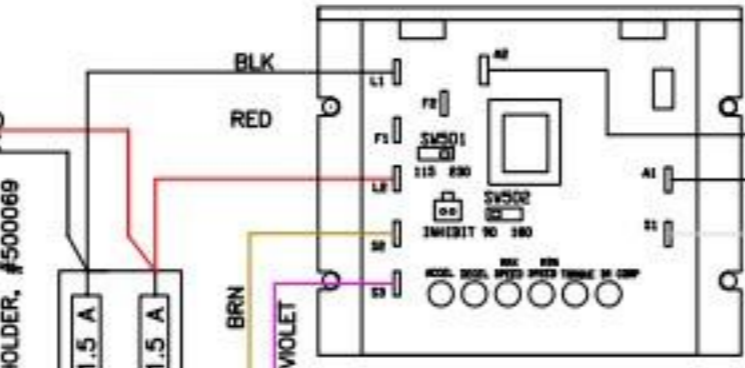
POTENTIOMETER, ROTARY
#502892
VIEW FROM
BACK OF
POTENTIOMETER



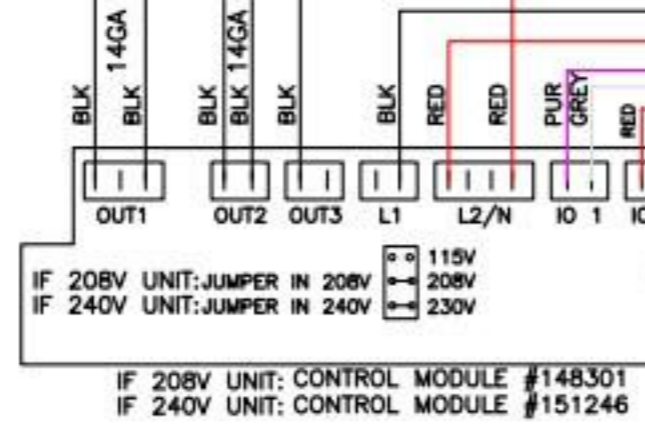
KNOB, CLEAR
#502906

GREY CONTROLLER CABLE

FUSE, 1.5 AMP #500061
FUSE HOLDER, #500069

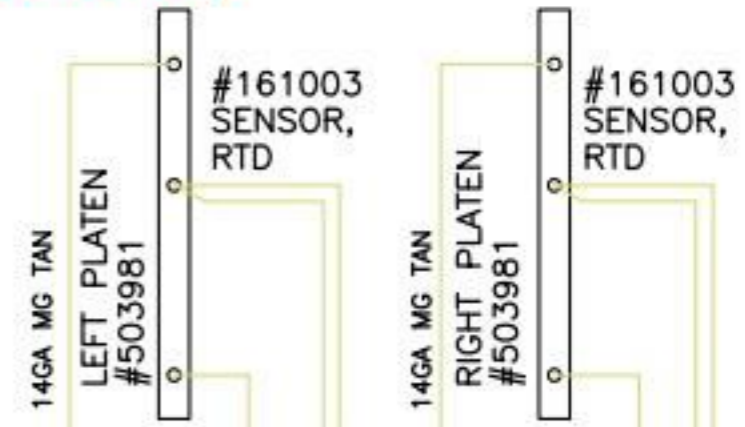


CIRCUIT BOARD,
230V, #148150



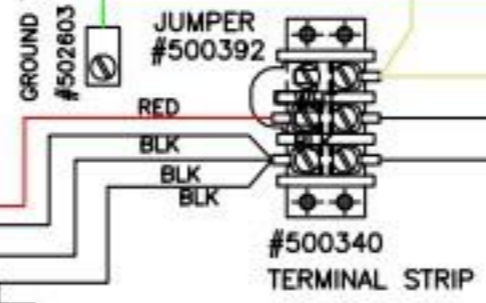
IF 208V UNIT: JUMPER IN 208V
IF 240V UNIT: JUMPER IN 240V

IF 208V UNIT: CONTROL MODULE #148301
IF 240V UNIT: CONTROL MODULE #151246



#161003
SENSOR,
RTD

#161003
SENSOR,
RTD

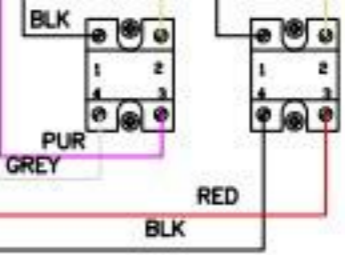


GROUND TAB
#502603

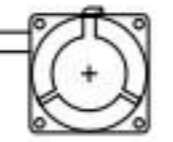
JUMPER
#500392

#500340
TERMINAL STRIP

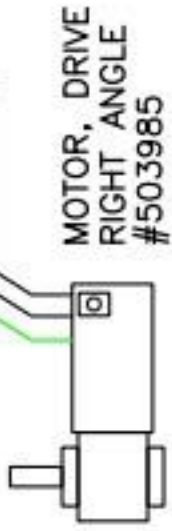
GROUND SCREW



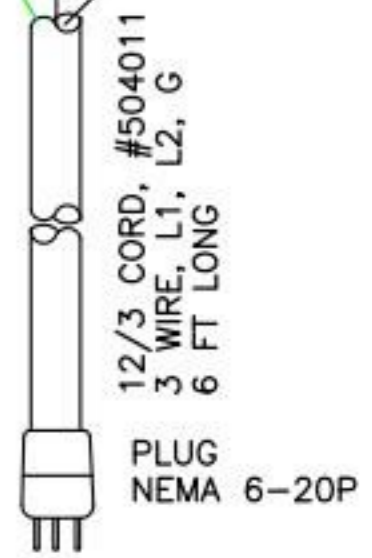
SOLID STATE
RELAYS
#504023



COOLING FAN
#144139



MOTOR, DRIVE
RIGHT ANGLE
#503985



12/3 CORD, #504011
3 WIRE, L1, L2, G
6 FT LONG

PLUG
NEMA 6-20P

16-19 AMPS