

OWNER'S MANUAL

MODEL RR5 SERIES – FRIED FOOD DUMP STATIONS



Supplier Name: **MARSHALL AIR SYSTEMS, INC.**
Address: 419 Peachtree Drive South
Charlotte, NC 28217

Model #: _____
Serial #: _____
Date Received: _____
Date Installed: _____
Telephone #: 704-525-6230
Fax #: 704-525-6229
Service Referral #: 800-722-3474
Local Service Name: _____
Local Service #: _____

PRODUCT DESCRIPTION

The Model RR5 Series Fried Food Dump Stations features Marshall's own ThermoGlo™ heating technology. Heat radiates from every square inch of the upper flat plate heating surface. This eliminates the need to clean intricate calrod, wire and reflector assemblies. A slotted and rolled bottom pan is provided along with a pullout catch drawer for easy cleaning. Depending upon the model, four or six 40 Watt bulbs furnish the illumination

FOR YOUR SAFETY

DO NOT STORE OR USE GASOLINE OR OTHER FLAMMABLE VAPORS OR LIQUIDS IN THE VICINITY OF THIS OR ANY OTHER APPLIANCE.

WARNING: IMPROPER INSTALLATION, ADJUSTMENT, ALTERATION, OR MAINTENANCE OF THIS EQUIPMENT CAN CAUSE PROPERTY DAMAGE, PERSONAL INJURY AND/OR DEATH. PLEASE READ THE INSTRUCTIONS THOROUGHLY FOR THE INSTALLATION, OPERATION AND MAINTENANCE BEFORE INSTALLING OR SERVICING THIS EQUIPMENT.

KEEP THIS MANUAL IN A SAFE PLACE AND RETAIN FOR FUTURE USE.

GENERAL SPECIFICATIONS

Model: RR5 Series Fried Food Dump Station
Height: 23", RR5F-25.50", RR5G-27.375"
Width: RR5-34", RR5A-30", RR5C-18", RR5F-27.25", RR5E, RR5E RED - 27", RR5M - 26", & RR5G-22"
Depth: 29.750", RR5G-22"
Electrical: RR5 – 208 VAC, 2340 Watts, 50/60 Hz, 10 Amps.
RR5A – 208 VAC, 1920 Watts, 50/60 Hz 10 Amps.
RR5A – 120 VAC, 1920 Watts, 50/60 Hz, 16 Amps.
RR5A INTL – 220 VAC, 1850 Watts, 50 Hz, Single Ph, 9 Amps, 3 wire cord no plug.
RR5C –120 VAC, 1160 Watts 50/60Hz, 9.7 Amps, 3 wire cord with plug.
RR5C-1 – 208VAC2, 1160 Watts, 50/60 Hz, 5.4 Amps, 3 wire cord no plug.
RR5CINTL – 220 VAC, 840 Watts, 50/60 Hz, Single Ph, 5.2 A, 3 wire cord no plug.
RR5G-120 VAC, 130 Watts, 50/60 Hz, 11 Amps.
RR5M, RR5E – 208 VAC, 1920 Watts, 50/60 Hz, 9 Amps, 3 wire cord with plug.
RR5E RED – 208 VAC, 2480 Watts, 50/60 Hz, 12 Amps, 3 wire cord with plug.
RR5E INTLCE- 240 VAC, 1920 Watts, 50/60 Hz, 10 Amps, 3 wire cord no plug.
RR5F – 120 VAC, 2240 Watts, 50/60 Hz, 18.6 Amps, 3 wire cord w/plug, (2) cords.
RR5P – 208 VAC, 2340 Watts, 50/60 Hz 10 Amps.

Weight: RR5-130 lbs., RR5A – 115 lbs., RR5C – 100 lbs., RR5M, RR5E – 110 lbs., RR5F- 98 lbs., RR5P – 134 lbs., RR5G – 100 lbs.

Approvals: ETL and NSF



TABLE OF CONTENTS

PRE-INSTALLATION..... 1

INSTALLATION 1

DAILY CHECKLIST AND CLEANING GUIDE..... 1

PREVENTIVE MAINTENANCE..... 1

TROUBLESHOOTING CHART 2

PARTS LISTS AND ILLUSTRATIONS 3-13

ILLUSTRATIONS

PARTS LISTINGFIGURE 1

PARTS LISTINGFIGURE 2

SCHEMATIC, RR5 34" UNIT 208V 4 WIRE **W/NEUTRAL** DWG 125372

SCHEMATIC, RR5A 30" AND RR5E 27" UNITS 120V 3 WIRE **W/NEUTRAL** DWG 123581

SCHEMATIC, RR5A 30" AND RR5E 27" UNITS 208V 3 WIRE **NO NEUTRAL** DWG 140814

SCHEMATIC, RR5A 30" AND RR5E 27" UNITS 208V 4 WIRE **W/ NEUTRAL** DWG 119435

SCHEMATIC, RR5E 27" UNIT 208V **W/CODE RED HEATERS** DWG 143124

SCHEMATIC, RR5A 30" UNIT 220V 3 WIRE **W/NEUTRAL** DWG 125106

SCHEMATIC, RR5B 24" UNIT 120V 3 WIRE **W/NEUTRAL** DWG 120928

SCHEMATIC, RR5C 18" AND RR5D 16" UNITS 120V 3 WIRE **W/NEUTRAL**..... DWG 120745

SCHEMATIC, RR5C 18" UNIT 120V 3 WIRE **W/NEUTRAL**..... DWG 140074

SCHEMATIC, RR5C 18" UNIT 220V 3 WIRE **W/NEUTRAL**..... DWG 140189

SCHEMATIC, RR5C-1 18" UNIT 208V 3 WIRE **NO NEUTRAL**..... DWG 159614

SCHEMATIC, RR5E 27" UNIT 240V 3 WIRE **W/ NEUTRAL** DWG 138139

SCHEMATIC, RR5F 2240 WATT, 120V..... DWG 144873

SCHEMATIC, RR5M 26" 208V 3-WIRE **NO NEUTRAL**..... DWG 156582

SCHEMATIC, RR5G 22" 120V DWG 156588

OWNER'S MANUAL

MODEL RR5 SERIES – FRIED FOOD DUMP STATIONS



PRE-INSTALLATION

1. The Multi-Product Holding Unit is packaged to minimize the risk of shipping damage. Immediately upon receipt, make certain to inspect the unit for damage. **FILE ALL CLAIMS WITH THE FREIGHT CARRIER.**
2. Unpack unit and remove all protective paper or plastic from metal parts. **FILE ANY CONCEALED DAMAGE CLAIMS WITH FREIGHT CARRIER.**

INSTALLATION

1. Unpack unit and remove all protective paper or plastic covering from metal parts.
2. Place cabinet on stable base.
3. Plug unit into a receptacle that is rated at the proper voltage. Refer to the rating label that is on the unit's back.

DAILY CHECKLIST AND CLEANING GUIDE

TO USE THE DUMP STATION

1. Turn on the power switch located on side of the rear adjustable supports.
2. If unit has optional infinite switch, adjust to desired heat setting.
3. Lights will illuminate indicating power is turned on.
4. The unit is ready to use after a 25 minute preheat period.

CLEANING CHECKLIST

1. Turn off the unit and allow it to cool for 30 minutes.
2. Bottom pan dividers, and pullout drawer should be removed, washed, rinsed and sanitized.
3. Clean unit and base with a damp cloth and cleaner degreaser. **DO NOT IMMERSE UNIT IN WATER! DO NOT USE CAUSTIC CLEANING SOLUTIONS!**
4. Allow sufficient drying time before attempting to use.

PREVENTIVE MAINTENANCE

Follow the daily cleaning schedule; there are no adjustments. The only user-replacement items are the 5 amp fuse and the 40 watt illumination bulbs. The 5 amp fuses are only found on some units just below the accessory receptacle. If fuse blows do the following:

1. Unplug the unit.
2. Remove the fuse by unscrewing the fuse cover.
3. Replace the fuse with a manufacturer's approved replacement part.

OWNER'S MANUAL

MODEL RR5 SERIES – FRIED FOOD DUMP STATIONS



4. If bulbs fail do the following:
 - a) Unplug the unit.
 - b) Remove the failed bulb by carefully unscrewing from its socket.
 - c) Replace bulb with manufacturer's approved replacement part. (See Parts List)

TROUBLESHOOTING CHART

Identify problem in the left column and look for probable cause and solution in right hand column. Probable causes listed in the order they are most likely to happen. This sequence should be used to isolate the problem.

| PROBLEM | PROBABLE CAUSE | SOLUTION |
|---------------------------------------------------------------|----------------------------------------------------------------------------------------------------------------------------------------|-------------------------------------------------------------------------------------------------------------------------------------------------------------------------------------------------------|
| A.. No heat and no light | <ol style="list-style-type: none"> 1. Unplugged 2. Circuit breaker is tripped. 3. Cord/plug defective | <ol style="list-style-type: none"> 1. Plug in. 2. Reset breaker; call electrician if tripped twice. 3. Replace cord/plug. |
| B. No light with heat | <ol style="list-style-type: none"> 1. Light bulbs burned out | <ol style="list-style-type: none"> 1. Unplug unit and bulbs. |
| C. Light no heat | <ol style="list-style-type: none"> 1. Defective heating unit assembly | <ol style="list-style-type: none"> 1. Replace heating unit. |
| D. No power at accessory receptacle (only on some 120V units) | <ol style="list-style-type: none"> 1. Fuse blown. 2. Accessory appliance draws more than 5 amps | <ol style="list-style-type: none"> 1. Replace fuse. 2. Discontinue using large appliance. |
| E. Low product temperature. | <ol style="list-style-type: none"> 1. Heating assembly adjustment on early models too high. 2. Air drafts. | <ol style="list-style-type: none"> 1. Lower heating assembly to setting. 2. Order optional side panel kit to deflect drafts or eliminate drafts (see Replacement Parts list). |

PARTS ILLUSTRATION

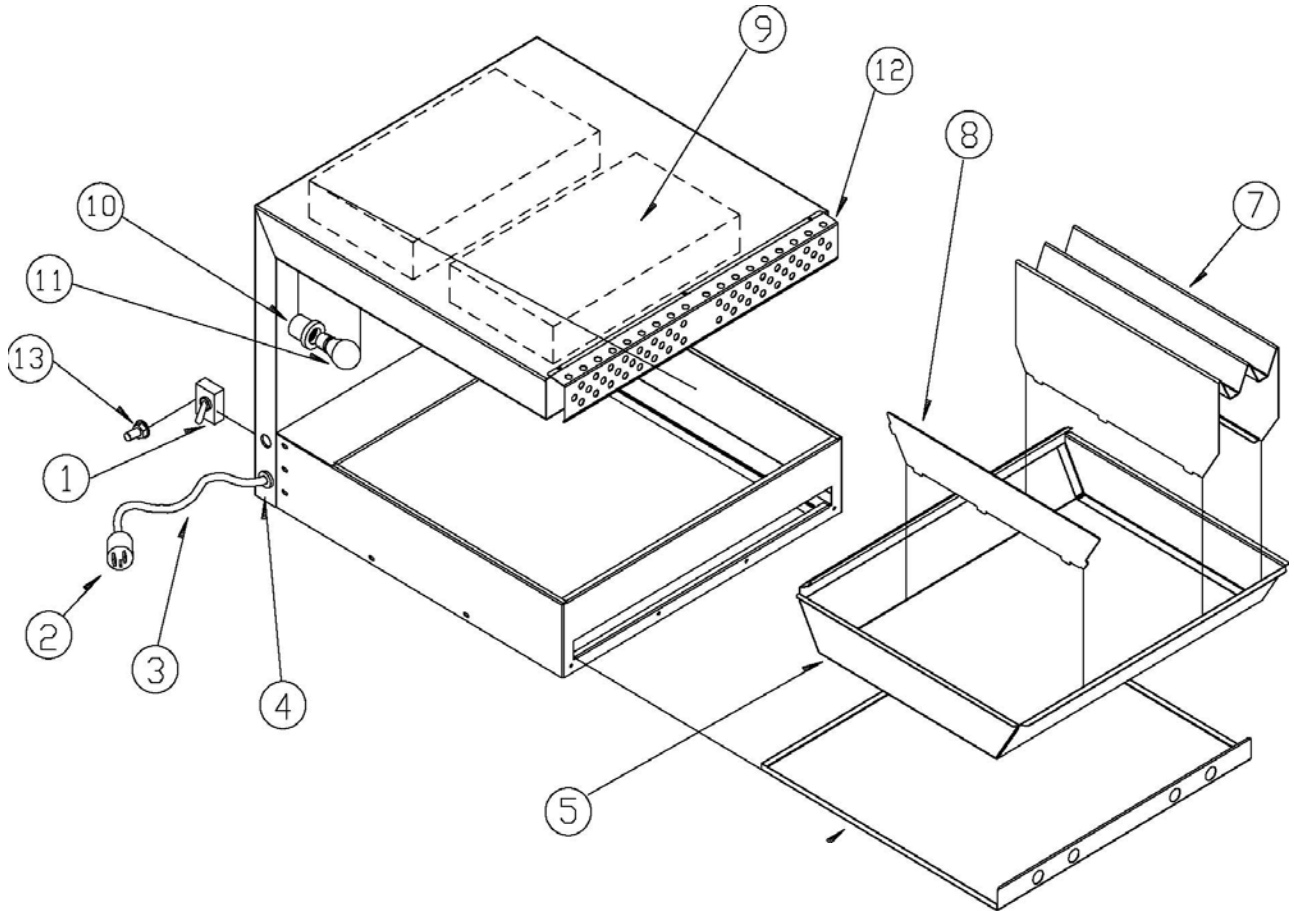


Figure 1

THIS DIAGRAM IS TO BE USED WITH PARTS BREAKDOWN ON PAGES 4 - 7.

OWNER'S MANUAL

MODEL RR5 SERIES – FRIED FOOD DUMP STATIONS



PARTS LIST

THIS PARTS LIST IS TO BE USED ON UNITS HAVING SERIAL NUMBERS AFTER 0700H1634.

NOTE: The Model and Serial Number can be found on the label which is attached to the back of the unit.

MODEL RR5 (34" WIDE 208V MODEL)

(See Figure 1 On Page 3)

| ITEM | PART # | DESCRIPTION | ITEM | PART # | DESCRIPTION |
|------|------------------------|--------------------------------------------------------------|------|------------------------|-------------------------------------------------------------|
| 1 | 500885 | Switch, Toggle | 8 | 139878 | Divider, Dump Pan |
| 2 | 502786 | Plug, 20 Amp w/ neutral | 9 | 500793 | ThermoGlo™ 10" x 24" 208V Code Yellow |
| 3 | 501838 | Cord, 14/4 | 10 | 501865 | Lamp Holder |
| 4 | 501622 | Connector, Strain Relief | 11 | 502239 | Bulb, Light 40 Watt |
| 5 | 140044 | Dump Pan Asby | 12 | 140299 | Guard, Heat |
| 6 | 113426 | Pan, Catch | 13 | 503148 | Boot, Switch |
| 7 | 140048 or 140095 | Optional 2 Row Bag Holder or Optional 3 Row Bag Holder | 14 | 133085 or 133082 | Side Panel Kit Dump Left or Side Panel Kit Dump Right |

MODEL RR5A (30" WIDE 208V MODEL)

(See Figure 1 On Page 3)

| ITEM | PART # | DESCRIPTION | ITEM | PART # | DESCRIPTION |
|------|------------------------|--------------------------------------------------------------|------|------------------------|---------------------------------------------------------------------------------------------------------------|
| 1 | 500885 | Switch, Toggle | 8 | 139878 | Divider, Dump Pan |
| 2 | 503422 502786 | Plug 20 Amp w/ neutral Plug 20 Amp no neutral | 9 | 119626 140847 | ThermoGlo™, 10" x 18" 840W 120V s/n 2489 and before ThermoGlo™ 10x18 840W 208V s/n 2490 and after |
| 3 | 500318 501838 | Cord, 12/3 no neutral Cord, 14/4 w/ neutral | 10 | 501865 | Lamp Holder |
| 4 | 501622 | Connector, Strain Relief | 11 | 502239 | Bulb, Light 40 Watt |
| 5 | 140042 | Dump Pan Asby | 12 | 140308 | Guard, Heat |
| 6 | 119430 | Pan, Catch | 13 | 503148 | Boot, Switch |
| 7 | 140048 or 140095 | Optional 2 Row Bag Holder or Optional 3 Row Bag Holder | 14 | 133085 or 133082 | Side Panel Kit Dump Left or Side Panel Kit Dump Right |

OWNER'S MANUAL

MODEL RR5 SERIES – FRIED FOOD DUMP STATIONS



MODEL RR5C (18" WIDE 120V MODEL)

(See Figure 1 On Page 3)

| ITEM | PART # | DESCRIPTION | ITEM | PART # | DESCRIPTION |
|------|------------------------|--------------------------------------------------------------|------|------------------------|-------------------------------------------------------------|
| 1 | 500885 | Switch, Toggle | 8 | 139878 | Divider, Dump Pan |
| 2 | -- | Plug (On Cord) | 9 | 119626 | ThermoGlo™, 10" x 18" 840W (S/N 0405H09485 & Before) |
| | | | | 500793Y120A | ThermoGlo™, 10" x 24" 1000W (After S/N 0405H09485) |
| 3 | 502075 | Cord, 14/3 w/Plug | 10 | 501865 | Lamp Holder |
| 4 | 502080 | Connector, Strain Relief | 11 | 502239 | Bulb, Light 40 Watt |
| 5 | 140077 | Dump Pan Asby | 12 | 140061 | Guard, Heat |
| 6 | 120923 | Pan, Catch | 13 | 503148 | Boot, Switch |
| 7 | 140048 or 140095 | Optional 2 Row Bag Holder or Optional 3 Row Bag Holder | 14 | 133085 or 133082 | Side Panel Kit Dump Left or Side Panel Kit Dump Right |

MODEL RR5C-1 (18" WIDE 208V MODEL)

(See Figure 1 on Page 3)

| ITEM | PART # | DESCRIPTION | ITEM | PART # | DESCRIPTION |
|------|--------|--------------------------|------|-------------|-------------------------------|
| 1 | 500885 | Switch, Toggle | 8 | 139878 | Divider, Dump Pan |
| 2 | -- | Plug (On Cord) | 9 | 500793Y208A | ThermoGlo™, 10" x 18" 220V |
| 3 | 503617 | Cord, 14/3 INTL No Plug | 10 | 501865 | Lamp Holder |
| 4 | 502080 | Connector, Strain Relief | 11 | 502239 | Bulb, Light 40 Watt |
| 5 | 140077 | Dump Pan Asby | 12 | 140061 | Guard, Heat |
| 6 | 120923 | Pan, Catch | 13 | 503148 | Boot, Switch |

OWNER'S MANUAL

MODEL RR5 SERIES – FRIED FOOD DUMP STATIONS



MODEL RR5CINTL (18" WIDE 220V MODEL)

(See Figure 1 On Page 3)

| ITEM | PART # | DESCRIPTION | ITEM | PART # | DESCRIPTION |
|------|------------------------|--------------------------------------------------------------|------|------------------------|-------------------------------------------------------------|
| 1 | 500885 | Switch, Toggle | 8 | 139878 | Divider, Dump Pan |
| 2 | -- | Plug (On Cord) | 9 | 140193 | ThermoGlo™, 10" x 18" 220V |
| 3 | 503617 | Cord, 14/3 INTL w/ Plug | 10 | 501865 | Lamp Holder |
| 4 | 502080 | Connector, Strain Relief | 11 | 502239 | Bulb, Light 40 Watt |
| 5 | 140077 | Dump Pan Asby | 12 | 140061 | Guard, Heat |
| 6 | 120923 | Pan, Catch | 13 | 503148 | Boot, Switch |
| 7 | 140048 or 140095 | Optional 2 Row Bag Holder or Optional 3 Row Bag Holder | 14 | 133085 or 133082 | Side Panel Kit Dump Left or Side Panel Kit Dump Right |

MODEL RR5E (27" WIDE 208V MODEL)

(See Figure 1 On Page 3)

| ITEM | PART # | DESCRIPTION | ITEM | PART # | DESCRIPTION |
|------|------------------------|--------------------------------------------------------------|------|--------------------------------------------|-----------------------------------------------------------------------------------------------------------------------------------------------------|
| 1 | 500885 | Switch, Toggle | 8 | 139878 | Divider, Dump Pan |
| 2 | 503422 502786 | Plug, 20 Amp no neutral Plug, 20 Amp w/ neutral | 9 | 140847 208V 119626 120V 143128 | ThermoGlo™, 10x18 840W s/n 2490 and after ThermoGlo™, 10" x 18" 840W s/n 2489 and before Thermo Glo™, 10 x 18 1120W (RR5E RED Units) |
| 3 | 500318 501838 | Cord, 12/3 no neutral Cord, 14/4 w/ neutral | 10 | 501865 | Lamp Holder |
| 4 | 502080 | Connector, Strain Relief | 11 | 502239 | Bulb, Light 40 Watt |
| 5 | 140052 | Dump Pan Asby | 12 | 139885 | Guard, Heat |
| 6 | 120923 | Pan, Catch | 13 | 503148 | Boot, Switch |
| 7 | 140048 or 140095 | Optional 2 Row Bag Holder or Optional 3 Row Bag Holder | 14 | 133085 or 133082 | Side Panel Kit Dump Left or Side Panel Kit Dump Right |

OWNER'S MANUAL

MODEL RR5 SERIES – FRIED FOOD DUMP STATIONS



MODEL RR5E (27" WIDE 208V MODEL) (With Side Scoop Kit # 140645)

| ITEM | PART # | DESCRIPTION | ITEM | PART # | DESCRIPTION |
|------|------------------|----------------------------------------------------|------|----------------------|---------------------------------------------------------------------------------------------------|
| 1 | 500885 | Switch, Toggle | 8 | 140639 | Divider, Dump Pan |
| 2 | 503422 502786 | Plug, 20 Amp no neutral Plug, 20 Amp w/ neutral | 9 | 140847 119626 | ThermoGlo™, 10x18 840W s/n 2490 and after ThermoGlo™, 10" x 18" 840W s/n 2489 and before |
| 3 | 500318 501838 | Cord 12/3 no neutral Cord 14/4 w/ neutral | 10 | 501865 | Lamp Holder |
| 4 | 502080 | Connector, Strain Relief | 11 | 502239 | Bulb, Light 40 Watt |
| 5 | 140644 | Dump Pan Asby | 12 | 139885 | Guard, Heat |
| 6 | 140637 | Pan, Catch | 13 | 503148 | Boot, Guard |
| 7 | N/A | | | | |

MODEL RR5F (27.25" WIDE 120V MODEL) (See Figure 1 on Page 3)

| ITEM | PART # | DESCRIPTION | ITEM | PART # | DESCRIPTION |
|------|--------|--------------------------|------|-----------------|------------------------|
| 1 | 500885 | Switch, Toggle | 8 | 139878 | Divider, Dump Pan |
| 2 | N/A | | 9 | 500792R 120A | ThermoGlo™, 10x18 120W |
| 3 | 502075 | Cord, 14/3 | 10 | N/A | |
| 4 | 502080 | Connector, Strain Relief | 11 | N/A | |
| 5 | 140052 | Dump Pan Asby | 12 | 144784 | Guard, Heat |
| 6 | 144868 | Pan, Catch | 13 | 503148 | Boot, Guard |
| 7 | N/A | | | | |

OWNER'S MANUAL

MODEL RR5 SERIES – FRIED FOOD DUMP STATIONS



MODEL RR5P (34" WIDE 208V MODEL)

(See Figure 1 On Page 3)

| ITEM | PART # | DESCRIPTION | ITEM | PART # | DESCRIPTION |
|------|------------------------|--------------------------------------------------------------|------|------------------------|-------------------------------------------------------------|
| 1 | 500885 | Switch, Toggle | 8 | 139878 | Divider, Dump Pan |
| 2 | 502786 | Plug, 20 Amp w/ neutral | 9 | 500793 | ThermoGlo™ 10" x 24" 208V Code Yellow |
| 3 | 501838 | Cord, 14/4 | 10 | 501865 | Lamp Holder |
| 4 | 501622 | Connector, Strain Relief | 11 | 502239 | Bulb, Light 40 Watt |
| 5 | 140044 | Dump Pan Asby | 12 | 140299 | Guard, Heat |
| 6 | 113426 | Pan, Catch | 13 | 503148 | Boot, Switch |
| 7 | 140048 or 140095 | Optional 2 Row Bag Holder or Optional 3 Row Bag Holder | 14 | 133085 or 133082 | Side Panel Kit Dump Left or Side Panel Kit Dump Right |

MODEL RR5M (26" WIDE 208V MODEL)

(See Figure 1 on Page 3)

| ITEM | PART # | DESCRIPTION | ITEM | PART # | DESCRIPTION |
|------|------------------------|--------------------------------------------------------------|------|--------|------------------------------------------|
| 1 | 500885 | Switch, Toggle | 9 | 500793 | ThermoGlo™ 10" x 24" 208V Code Yellow |
| 2 | 502786 | Plug, 20 Amp w/ neutral | 10 | 501865 | Lamp Holder |
| 3 | 501838 | Cord, 14/4 | 11 | 502239 | Bulb, Light 40 Watt |
| 4 | 501622 | Connector, Strain Relief | 12 | 140299 | Guard, Heat |
| 5 | 140044 | Dump Pan Asby | 13 | 503148 | Boot, Switch |
| 6 | 113426 | Pan, Catch | 14 | 500565 | Infinite Control Switch |
| 7 | 140048 or 140095 | Optional 2 Row Bag Holder or Optional 3 Row Bag Holder | 15 | 500978 | Knob |
| 8 | 139878 | Divider, Dump Pan | 16 | 159429 | Utensil Holder |

PARTS ILLUSTRATION

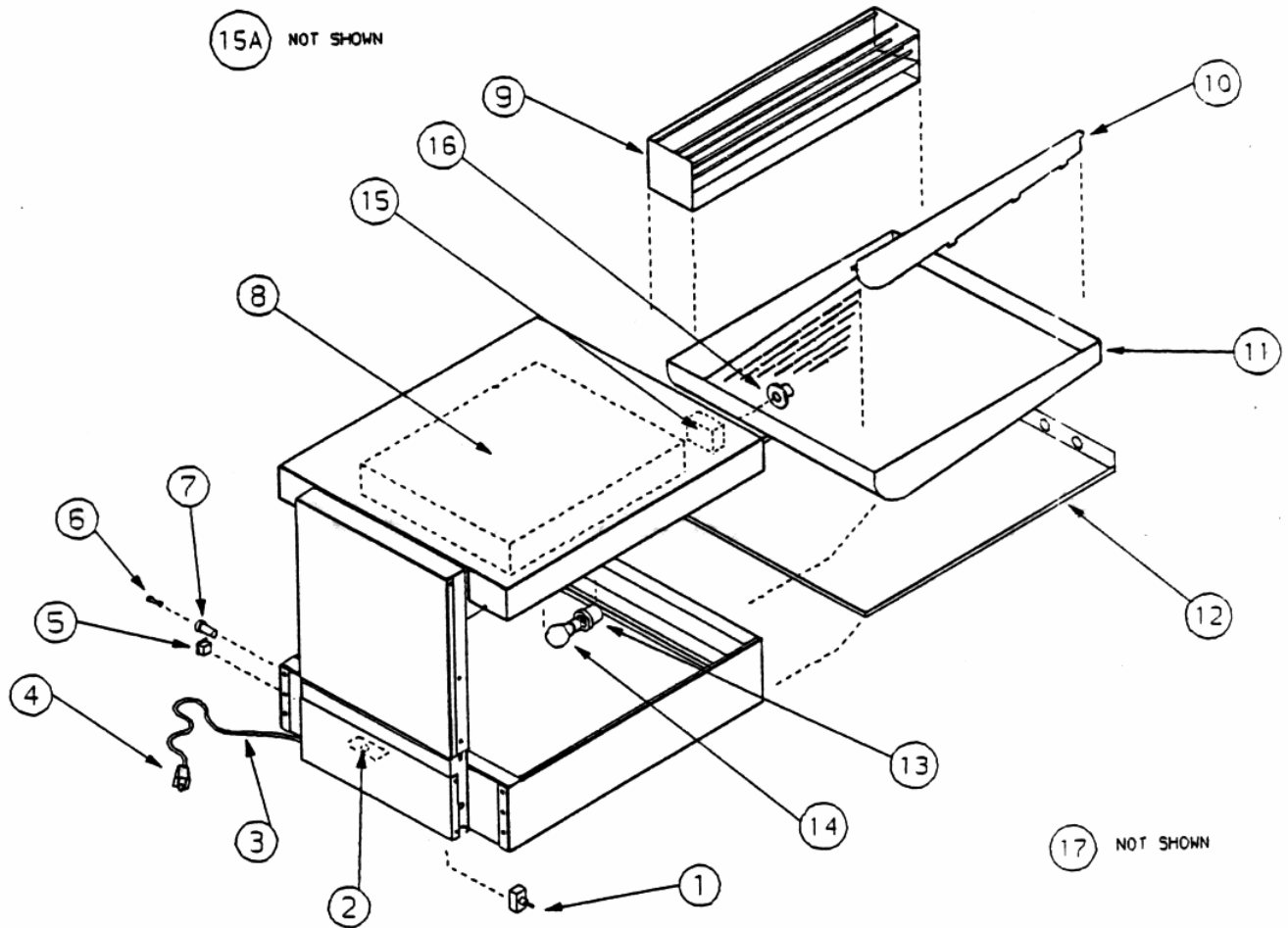


FIGURE 2

THIS DIAGRAM IS TO BE USED WITH PARTS BREAKDOWN ON PAGES 10 – 12.

OWNER'S MANUAL

MODEL RR5 SERIES – FRIED FOOD DUMP STATIONS



THIS PARTS LIST TO BE USED ON UNITS BEFORE SERIAL NUMBER 070041634.

NOTE: The Model and Serial Number can be found on the rating label, which is attached to the back of the unit.

MODEL RR5 (34" WIDE 208V MODEL)

(See Figure2 on Page 9)

| ITEM | PART # | DESCRIPTION | ITEM | PART # | DESCRIPTION |
|------|--------|------------------------------------------|------|--------|-----------------------------------------|
| 1 | 500885 | Switch, Toggle | 9 | 120528 | Optional Bag Holder |
| 2 | 501622 | Connector, Strain Relief | 10 | 125642 | Divider, Dump Pan |
| 3 | 501838 | Cord, 14/4 | 11 | 138068 | Dump Pan Asby |
| 4 | 502786 | Plug, 20 Amp w/ neutral | 12 | 113426 | Pan, Catch |
| 5 | -- | Not Supplied With this Model | 13 | 501865 | Lamp Holder |
| 6 | -- | Not Supplied With this Model | 14 | 502239 | Bulb, Light 40 Watt |
| 7 | -- | Not Supplied With this Model | 15 | 500565 | Switch, Infinite (this model only) |
| 8 | 500793 | ThermoGlo™ 10" x 24" 208V Code Yellow | 16 | 500978 | Knob, Infinite Switch (this model only) |
| | | | 17 | 133093 | Guard, Heat |

MODEL RR5A (30" WIDE 208V MODEL)

(See Figure 2 on Page 9)

| ITEM | PART # | DESCRIPTION | ITEM | PART # | DESCRIPTION |
|------|------------------|----------------------------------------------------|------|------------------------|-------------------------------------------------------|
| 1 | 500885 | Switch, Toggle | 9 | 120528 | Optional Bag Holder |
| 2 | 502343 | Connector, Strain Relief | 10 | 125642 | Divider, Dump Pan |
| 3 | 500318 501838 | Cord, 12/3 no neutral Cord, 14/4 w/ neutral | 11 | 119425 | Dump Pan Asby |
| 4 | 503422 502786 | Plug, 20 Amp w/ neutral Plug, 20 Amp no neutral | 12 | 119430 | Pan, Catch |
| 5 | -- | Not Supplied With this Model | 13 | 501865 | Lamp Holder |
| 6 | -- | Not Supplied With this Model | 14 | 502239 | Bulb, Light 40 Watt |
| 7 | -- | Not Supplied With this Model | 15A | 133094 | Guard, Heat |
| 8 | 119626 | ThermoGlo™, 10" x 18" 840W | 16 | 125240 or 125595 | Side Panel Kit Dump Left Side Panel Kit Dump Right |

OWNER'S MANUAL

MODEL RR5 SERIES – FRIED FOOD DUMP STATIONS



MODEL RR5B (24" WIDE 120V MODEL)

(See Figure 2 on Page 9)

| ITEM | PART # | DESCRIPTION | ITEM | PART # | DESCRIPTION |
|------|--------|-----------------------------|------|--------------|---------------------------|
| 1 | 500885 | Switch, Toggle | 9 | 120528 | Optional Bag Holder |
| 2 | 501622 | Connector, Strain Relief | 10 | 125642 | Divider, Pan |
| 3 | 500318 | Cord, 12/3 no neutral | 11 | 120515 | Dump Pan Asby |
| 4 | 503422 | Plug, 20 Amp no neutral | 12 | 120507 | Pan, Catch |
| 5 | 501968 | Receptacle, Single 15 Amp | 13 | 501865 | Lamp Holder |
| 6 | 500062 | Fuse, 5 Amp | 14 | 502239 | Bulb, Light 40 Watt |
| 7 | 500068 | Fuse Holder | 15 | 124533 | Side Panel Kit Dump Left |
| 8 | 120931 | ThermoGlo™, 14" x 20" 1120W | | or 124534 | Side Panel Kit Dump Right |

MODEL RR5C (18" WIDE 120V MODEL)

(See Figure 2 on Page 9)

| ITEM | PART # | DESCRIPTION | ITEM | PART # | DESCRIPTION |
|------|--------|---------------------------|------|--------|---------------------------|
| 1 | 500885 | Switch, Toggle | 8 | AD9 | ThermoGlo™, 9" x 18" 840W |
| 2 | 502080 | Connector, Strain Relief | 9 | 120528 | Optional Bag Holder |
| 3 | 502075 | Cord, 14/3 w/Plug | 10 | 125642 | Divider, Dump Pan |
| 4 | -- | Plug On Cord | 11 | 120926 | Dump Pan Asby |
| 5 | 501968 | Receptacle, Single 15 Amp | 12 | 120923 | Pan, Catch |
| 6 | 500062 | Fuse, 5 Amp | 13 | 501865 | Lamp Holder |
| 7 | 500068 | Fuse Holder | 14 | 502239 | Bulb, Light 40 Watt |
| | | | 15A | 133095 | Guard, Heat |

OWNER'S MANUAL

MODEL RR5 SERIES – FRIED FOOD DUMP STATIONS



MODEL RR5D (16" WIDE 120V MODEL)

(See Figure 2 on Page 9)

| ITEM | PART # | DESCRIPTION | ITEM | PART # | DESCRIPTION |
|------|--------|--------------------------|------|--------|---------------------------|
| 1 | 500885 | Switch, Toggle | 8 | AD9 | ThermoGlo™, 9" x 18" 840W |
| 2 | 502080 | Connector, Strain Relief | 9 | 120528 | Optional Bag Holder |
| 3 | 502075 | Cord, 14/3 w/Plug | 10 | 125642 | Divider, Dump Pan |
| 4 | -- | Plug on Cord | 11 | 120909 | Dump Pan Asby |
| 5 | 501968 | Receptacle, Single Amp | 12 | 120749 | Pan, Catch |
| 6 | 500062 | Fuse, 5 Amp | 13 | 501865 | Lamp Holder |
| 7 | 500068 | Fuse Holder | 14 | 502239 | Bulb, Light 40 Watt |

MODEL RR5E (27" WIDE 208V MODEL)

(See Figure 2 on Page 9)

| ITEM | PART # | DESCRIPTION | ITEM | PART # | DESCRIPTION |
|------|------------------|----------------------------------------------------|------|--------|------------------------------|
| 1 | 500885 | Switch, Toggle | 10 | 125642 | Divider, Dump Pan |
| 2 | 502343 | Connector, Strain Relief | 11 | 119425 | Dump Pan Asby |
| 3 | 500318 501838 | Cord, 12/3 no neutral Cord, 14/3 w/ neutral | 12 | 119430 | Pan, Catch |
| 4 | 503422 502786 | Plug, 20 Amp w/ neutral Plug, 20 Amp no neutral | 13 | 501865 | Lamp Holder |
| 5 | -- | Not Supplied With This Model | 14 | 502239 | Bulb, Light 40 Watt |
| 6 | -- | Not Supplied With This Model | 15 | -- | Not Supplied With This Model |
| 7 | -- | Not Supplied With This Model | 16 | -- | Not Supplied With This Model |
| 8 | AD9 | ThermoGlo™, 10" x 18" | 17 | 133081 | Guard, Heat |
| 9 | 120528 | Optional Bag Holder | | | |

OWNER'S MANUAL

MODEL RR5 SERIES – FRIED FOOD DUMP STATIONS



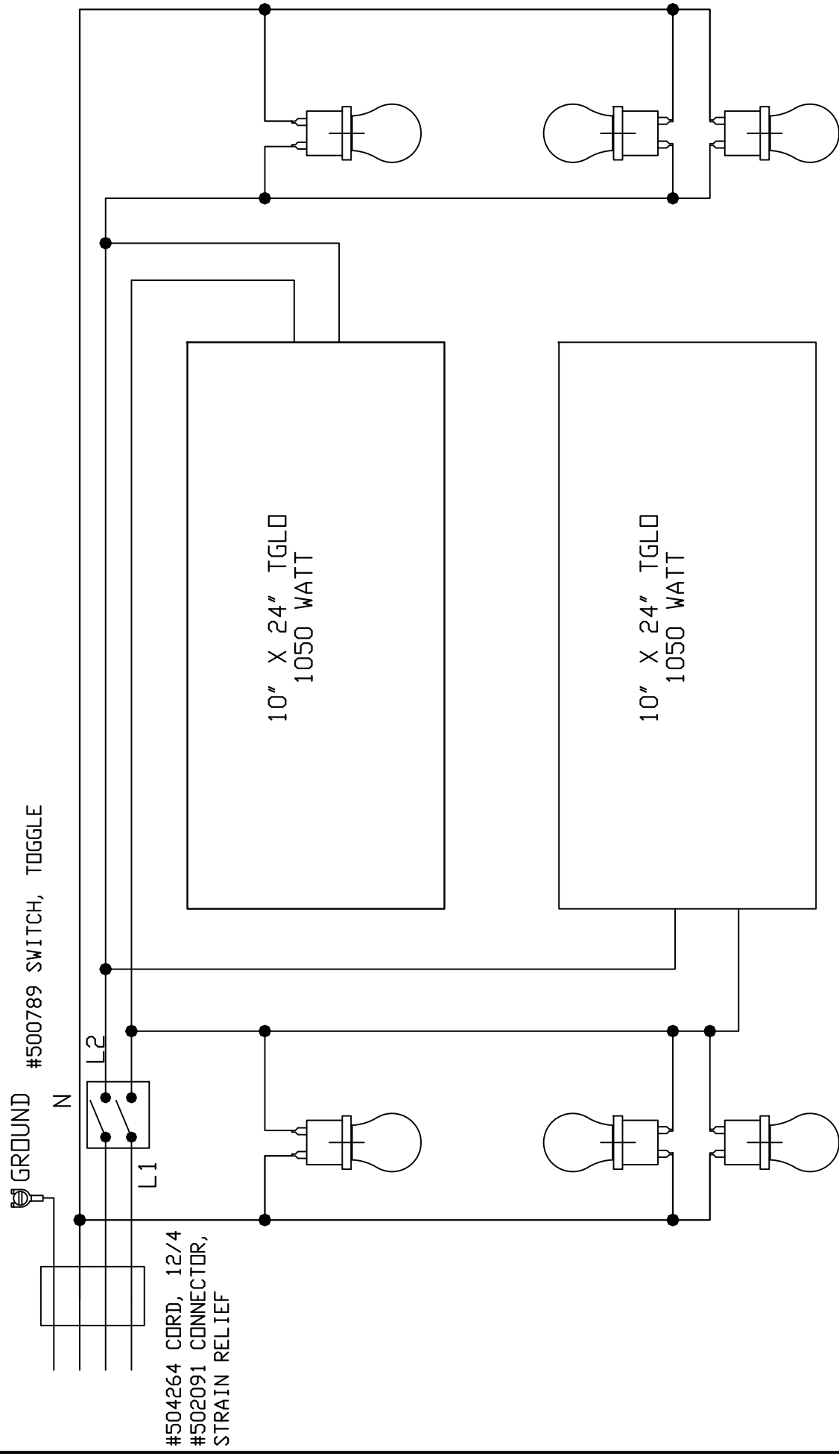
MODEL RR5G (22" WIDE 120V MODEL)

(See Figure 2 on Page 9)

| ITEM | PART # | DESCRIPTION | ITEM | PART # | DESCRIPTION |
|------|--------|------------------------------|------|--------|------------------------------|
| 1 | 500885 | Switch, Toggle | 10 | 159245 | Divider |
| 2 | 502080 | Connector, Strain Relief | 11 | 159242 | Dump Pan |
| 3 | 502075 | Cord, 14/3 w/Plug | 12 | 159246 | Pan, Catch |
| 4 | | Plug on Cord | 13 | -- | Not Supplied with this Model |
| 5 | -- | Not Supplied With This Model | 14 | -- | Not Supplied with this Model |
| 6 | -- | Not Supplied With This Model | 15 | -- | Not Supplied With This Model |
| 7 | -- | Not Supplied With This Model | 16 | -- | Not Supplied With This Model |
| 8 | 120898 | ThermoGlo™, 20" x 14" | 17 | 159362 | Guard, Heat |
| 9 | -- | Not Supplied With This Model | | | |

125372

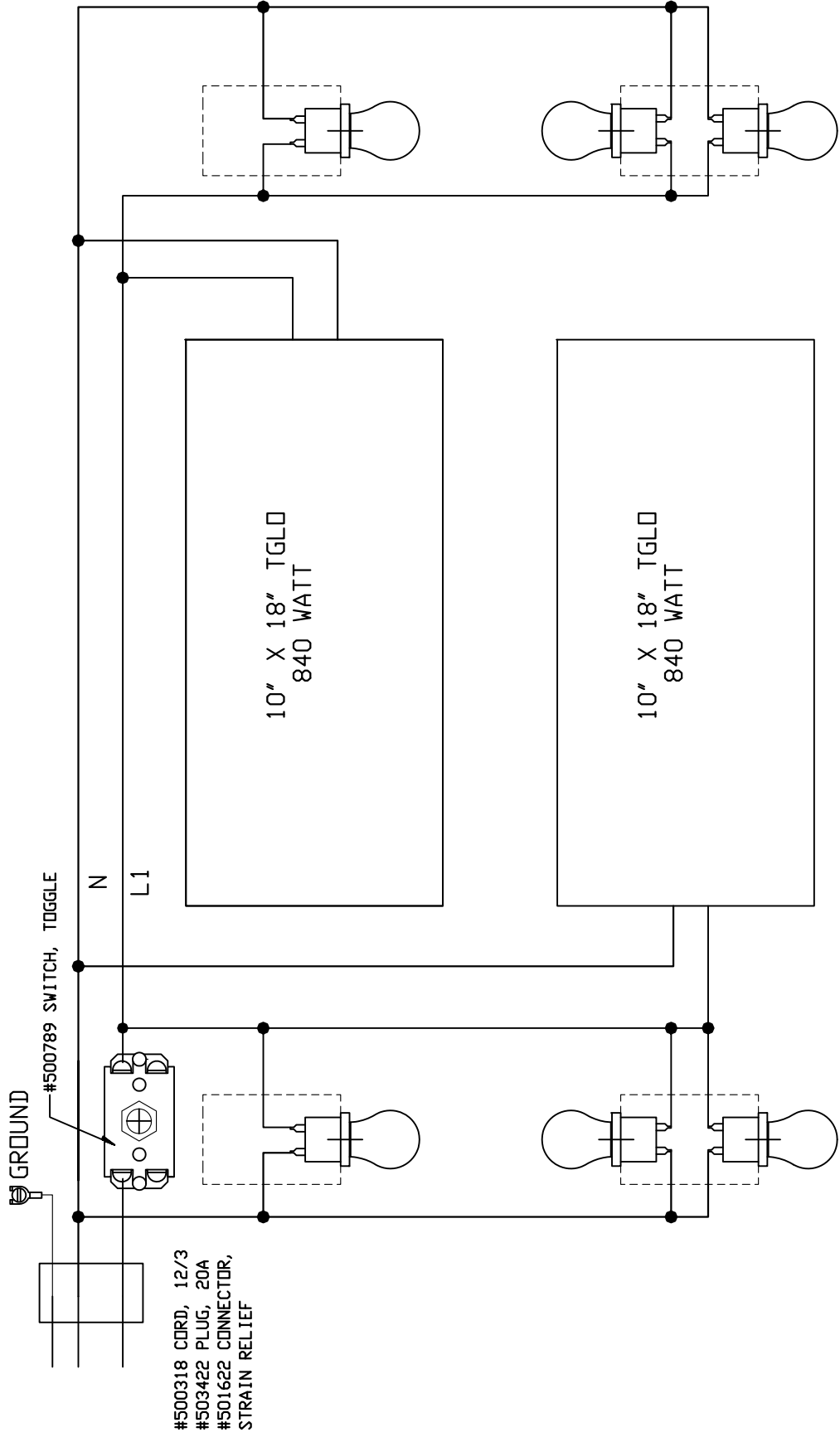
THIS SCHEMATIC IS FOR USE BY A QUALIFIED TECHNICIAN OR ELECTRICIAN ONLY.



#502239 BULB, LIGHT 40W
#501865 LAMPHOLDER

TOTAL UNIT AMPERAGE: 10.5

| | | | | | | | | |
|-----|-------------------|-------------|------|------|-----------|----------------------|-----------|----------------------------------------|
| REV | DESCRIPTION | DATE | REV. | BY | DRAWN BY: | DATE: | REV DATE: | MARSHALL AIR SYSTEMS, INC. |
| 2 | CHG WIRING | 01-MAR-2005 | | PW | P.W. | 23-JUN-1995 | 6/13/2012 | SCHEMATIC, 2340W 208V 4 WIRE W/NEUTRAL |
| 3 | AMPS WERE 11.25 | 26-SEP-2006 | | PW | SCHEMATIC | | | |
| 4 | 504264 WAS 501838 | 6/13/2012 | | S.A. | FAB | | | |
| 4 | 502091 WAS 501622 | 6/13/2012 | | S.A. | | | | |
| | | | | | SIZE: | ROUTE: | DWG. NO.: | REV.: |
| | | | | | A | ELECT | 125372 | 4 |
| | | | | | SCALE: | IMAGE MAY BE REDUCED | | CODE: |
| | | | | | 1:1 | NTS | | RR5 |



#500318 CORD, 12/3
 #503422 PLUG, 20A
 #501622 CONNECTOR,
 STRAIN RELIEF

10" X 18" TGLD
 840 WATT

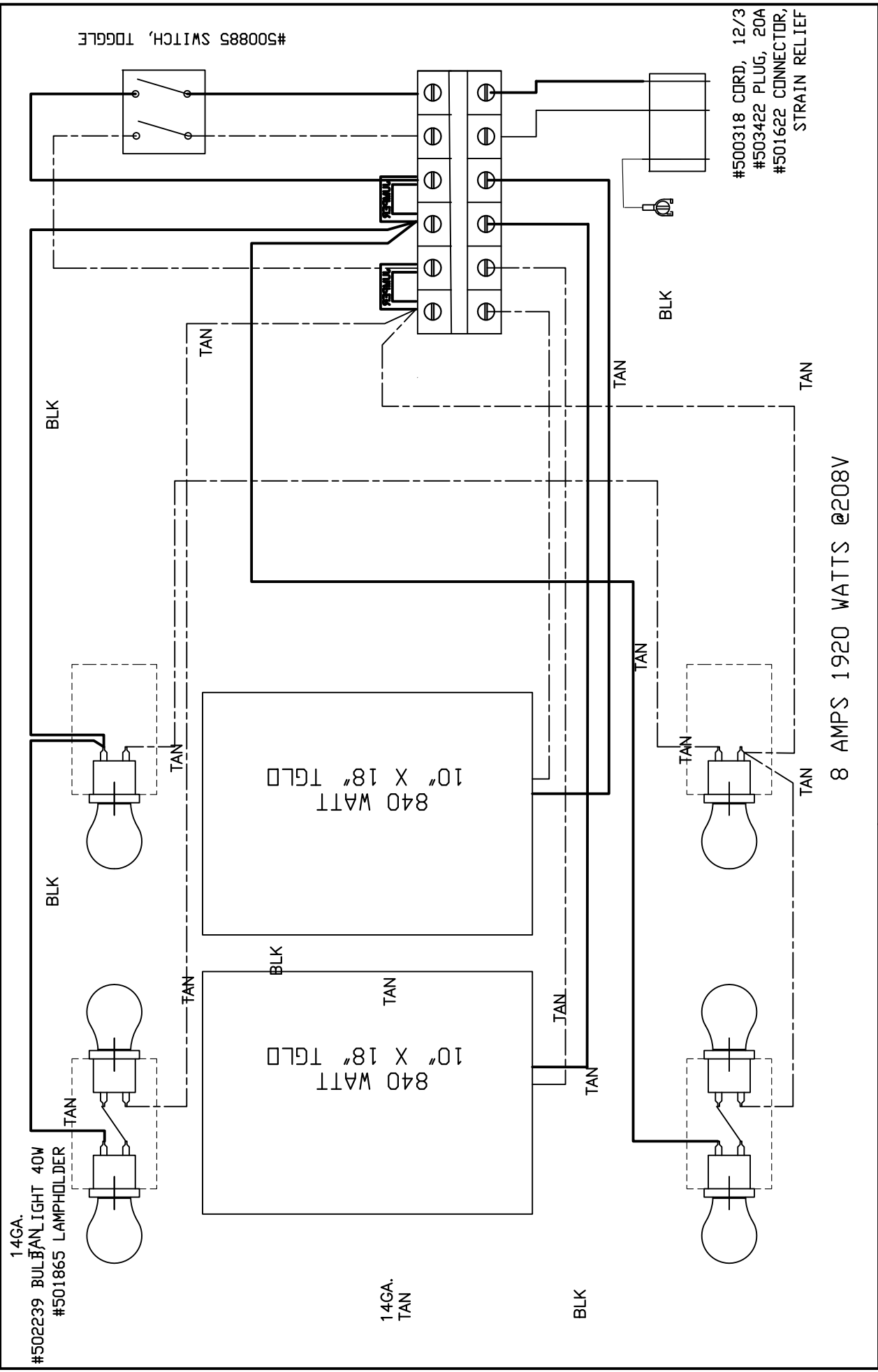
10" X 18" TGLD
 840 WATT

1920 WATTS @120V
 16 AMPS

#502239 BULB, LIGHT 40W
 #501865 LAMPHOLDER

| | | | | | | | | |
|-----|-----------------------|-----------|---------|----------------------|----------------|-----------|-------------------------------------------|-----------|
| REV | DESCRIPTION | DATE | REV. BY | DRAWN BY: | DATE: | REV DATE: | MARSHALL AIR SYSTEMS, INC. | |
| 1 | CH. NEUTRAL WIRE DIA. | 14-JUN-99 | TO | P.W. | 02-AUG-1993 | 14-JUN-99 | SCHEMATIC, 1920W 120V 3 WIRE W/NEUTRAL | |
| | | | | GENERIC NAME: | PRODUCT CLASS: | SIZE: | ROUTE: | REV: |
| | | | | SCHEMATIC | HHC | A | ELECT | 1 |
| | | | | PRODUCT LINE: | REFERENCE | DWG. NO.: | | DWG. NO.: |
| | | | | FAB | REFERENCE | 123581 | | 123581 |
| | | | | " X | | SCALE: | 1:6 | NTS |
| | | | | IMAGE MAY BE REDUCED | | CODE: | RR5E | |

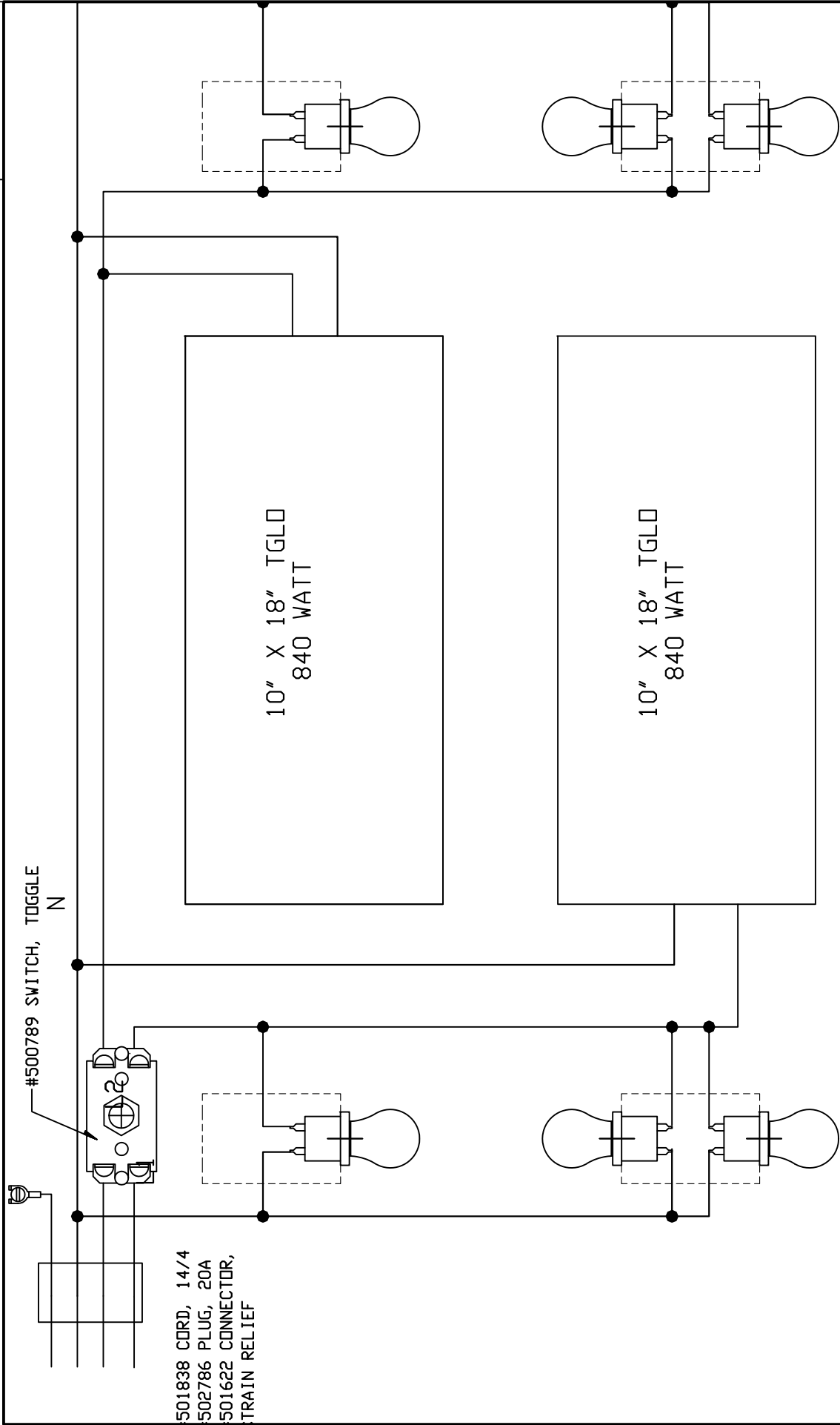
THIS SCHEMATIC IS FOR USE BY A QUALIFIED TECHNICIAN OR ELECTRICIAN ONLY.



8 AMPS 1920 WATTS @208V

| | | | | | | | |
|-----|----------------------------------|-------------|---------|----------------------|-------------|------------|-----------------------------------|
| REV | DESCRIPTION | DATE | REV. BY | DRAWN BY: | DATE: | REV. DATE: | MARSHALL AIR SYSTEMS, INC. |
| 1 | UPDATED TO HAVE TERM STRIP | 21-OCT-2010 | PW | P.W. | 12-MAR-2001 | - | SCHEMATIC, 1920W 208V 3 WIRE |
| 2 | DIAGRAM MIRRORED TO REFLECT UNIT | 03-MAY-2012 | S.A. | S.A. | | | NO NEUTRAL FOR S/N 2490 AND AFTER |
| | | | | FAB | HHC | | NO NEUTRAL FOR S/N 2490 AND AFTER |
| | | | | REFERENCE | ASBY | 140814 | REV: 2 |
| | | | | SCALE: 1:6 | NTS | RR5A | RR5E |
| | | | | IMAGE MAY BE REDUCED | | | |

119435



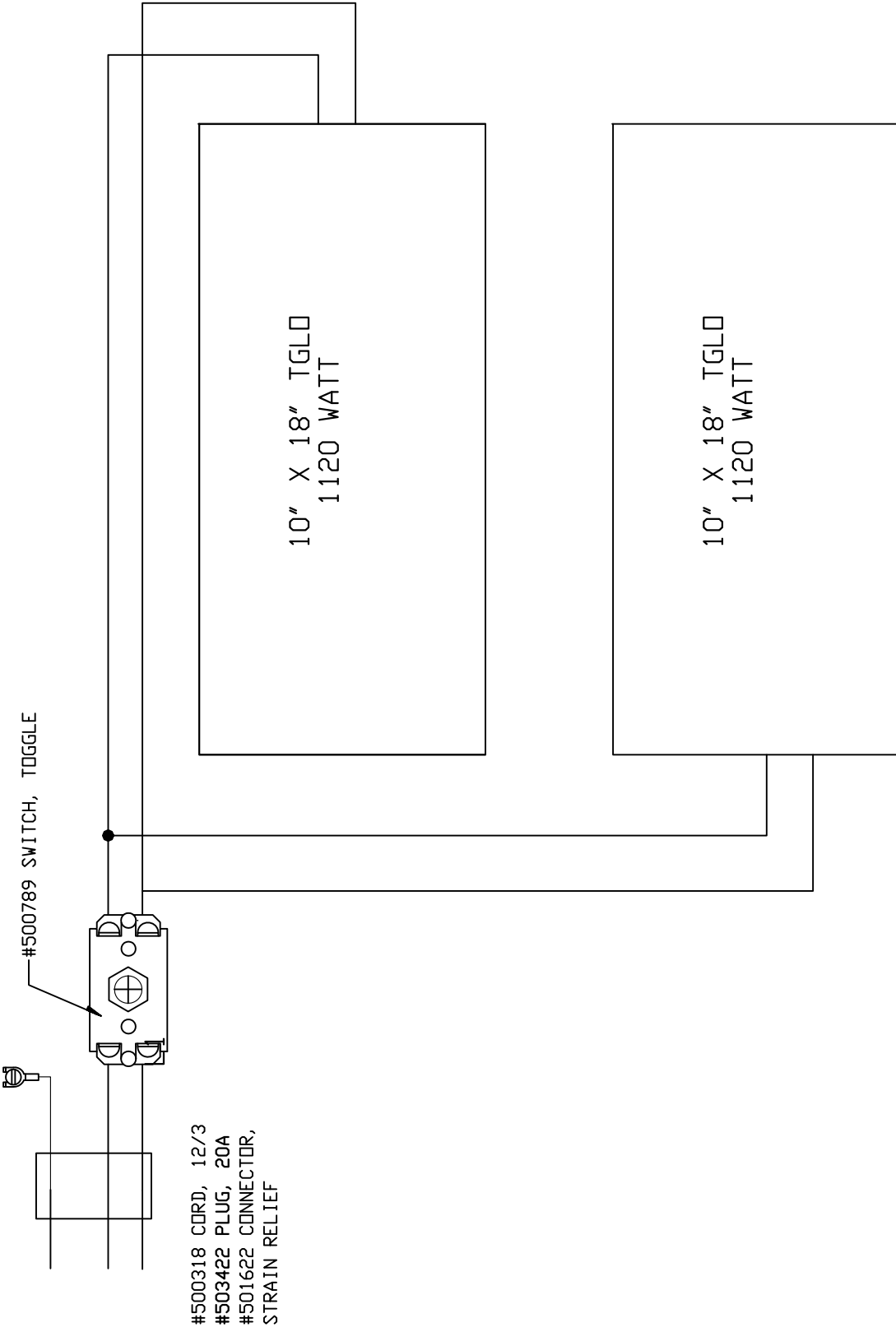
#502239 BULB, LIGHT 40W
#501865 LAMPHOLDER

| | | | | | | | |
|----------------------|------------------------|-----------------------|---------|---------------------------|-------------|-------------------------------------------------------------------|--|
| REV | DESCRIPTION | DATE | REV. BY | DATE | REV. DATE: | MARSHALL AIR SYSTEMS, INC. | |
| 5 | ADDED SER. NUMBER INFO | 12-MAR-2001 | PW | 12-MAR-2001 | 12-MAR-2001 | SCHEMATIC, 1920W 208V 4 WIRE W/NEUTRAL FOR S/N 2489 AND BEFORE | |
| DRAWN BY: P.W. | | DATE: 12-MAR-2001 | | REV. DATE: 12-MAR-2001 | | MARSHALL AIR SYSTEMS, INC. | |
| GENERIC NAME: FAB | | PRODUCT CLASS: VNT | | SIZE: A | | ROUTE: ELECT | |
| REFERENCE | | DWG. NO.: | | REV.: | | 119435 | |
| " X | | SCALE: | | IMAGE MAY BE REDUCED | | CODE: | |
| | | 1:6 | | NTS | | RR5A RR5E | |

Copyright © 2005 Marshall Air Systems, Inc.
All rights reserved

143124

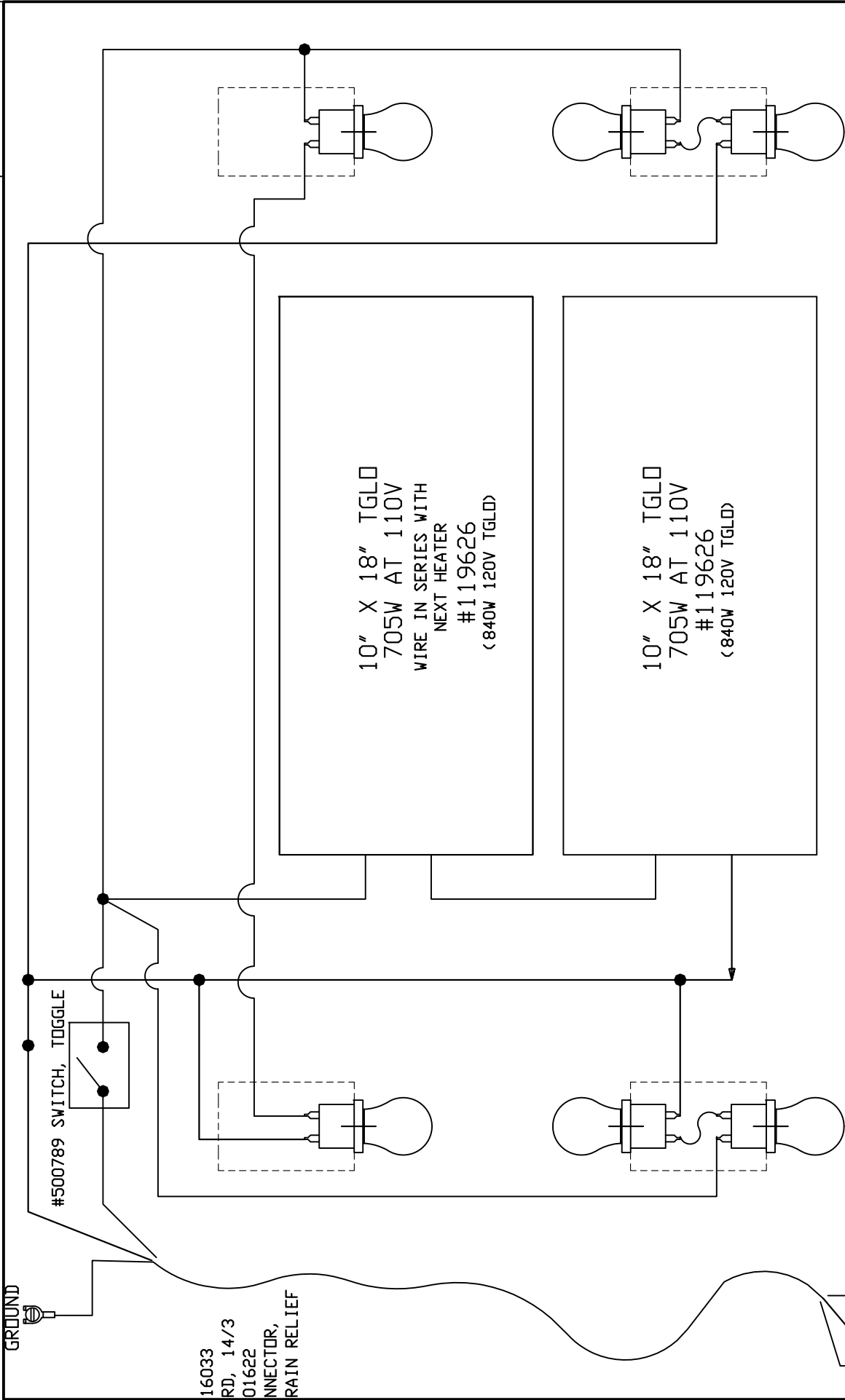
THIS SCHEMATIC IS FOR USE BY A QUALIFIED TECHNICIAN OR ELECTRICIAN ONLY.



2240 WATTS @208V
 10.8 AMPS

| | | | | | | | | |
|-----|-----------------|-------------|---------|---------------|----------------|------------------|------------------------------|--|
| REV | DESCRIPTION | DATE | REV. BY | DRAWN BY: | DATE: | REV DATE: | MARSHALL AIR SYSTEMS, INC. | |
| 2 | 2240W WAS 1920W | 01-00T-2003 | CM | P.W. | 21-NOV-2002 | 01-OCT-2003 | SCHEMATIC, 2240W 208V 3 WIRE | |
| | | | | GENERIC NAME: | PRODUCT CLASS: | CODE RED HEATERS | | |
| | | | | FAB | HHC | REV: 2 | | |
| | | | | REFERENCE | SIZE: A | ROUTE: ELECT | DWG. NO.: 143124 | |
| | | | | " X | SCALE: 1:6 | NTS | CODE: RR5ERED | |

125106

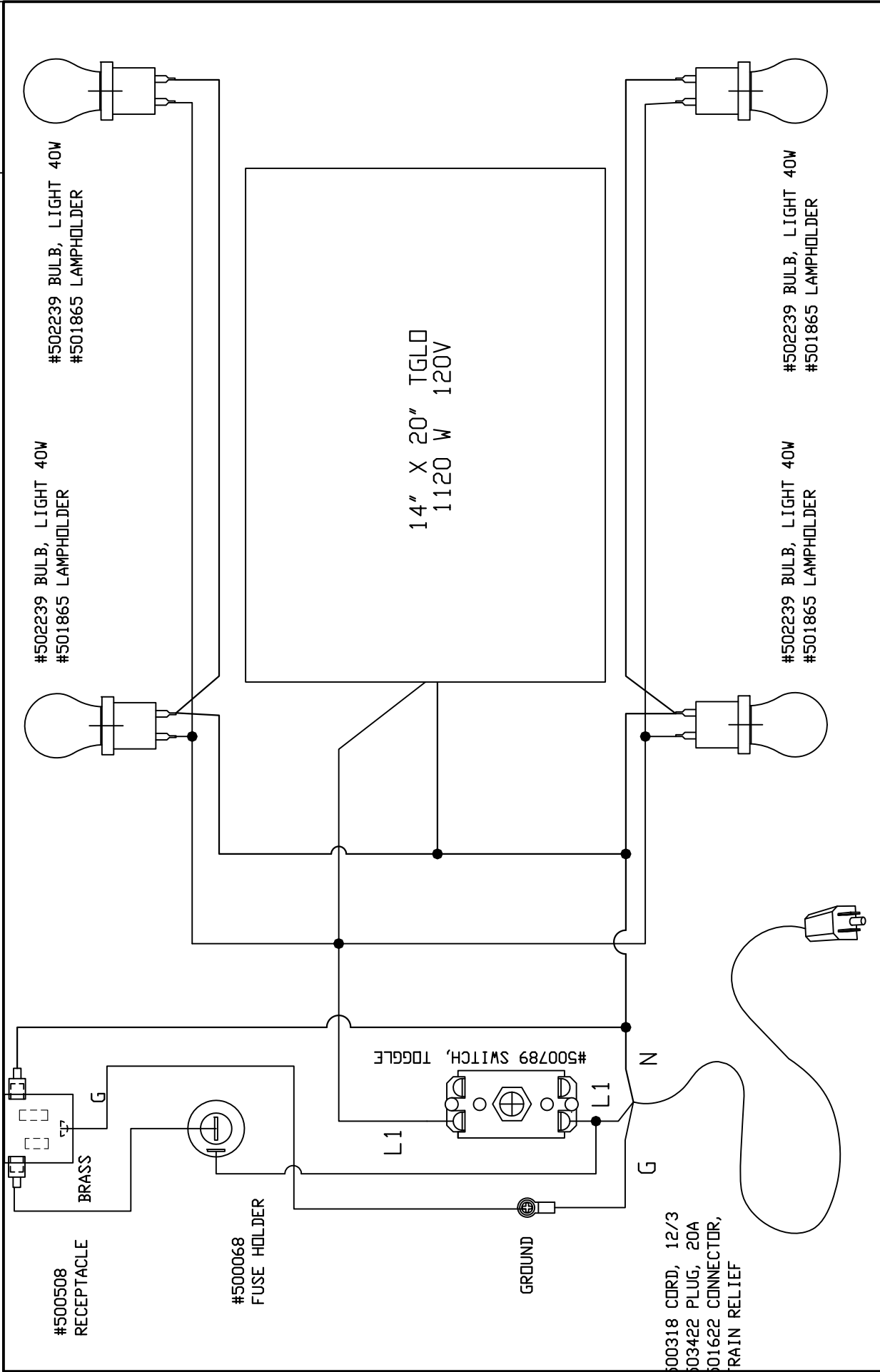


#502239 BULB, LIGHT 4
 (34W @ 110V)
 #501865 LAMPHOLDER

1615 WATTS @220V
 7.5 AMPS

| | | | | | |
|---------------------------------------------|---------------------|--------------------|----------------------------|----------------------|----------------|
| REV | DESCRIPTION | DATE | REV. BY | REV. DATE | REV. DATE |
| 1 | 705W WAS 805W [JMR] | 18-FEB-2002 | JM | 18-FEB-2002 | 18-FEB-2002 |
| DRAWN BY: P.W. | | DATE: 23-MAY-95 | REV DATE: 18-FEB-2002 | | |
| GENERIC NAME: FAB | | PRODUCT CLASS: VNT | MARSHALL AIR SYSTEMS, INC. | | |
| REFERENCE | | SIZE: A | ROUTE: | DWG. NO.: 125106 | REV.: 1 |
| " X | | SCALE: 1:6 | NTS | IMAGE MAY BE REDUCED | CODE: RR5AINTL |
| SCHEMATIC, 1615W 220V 50HZ 3 WIRE W/NEUTRAL | | | | | |

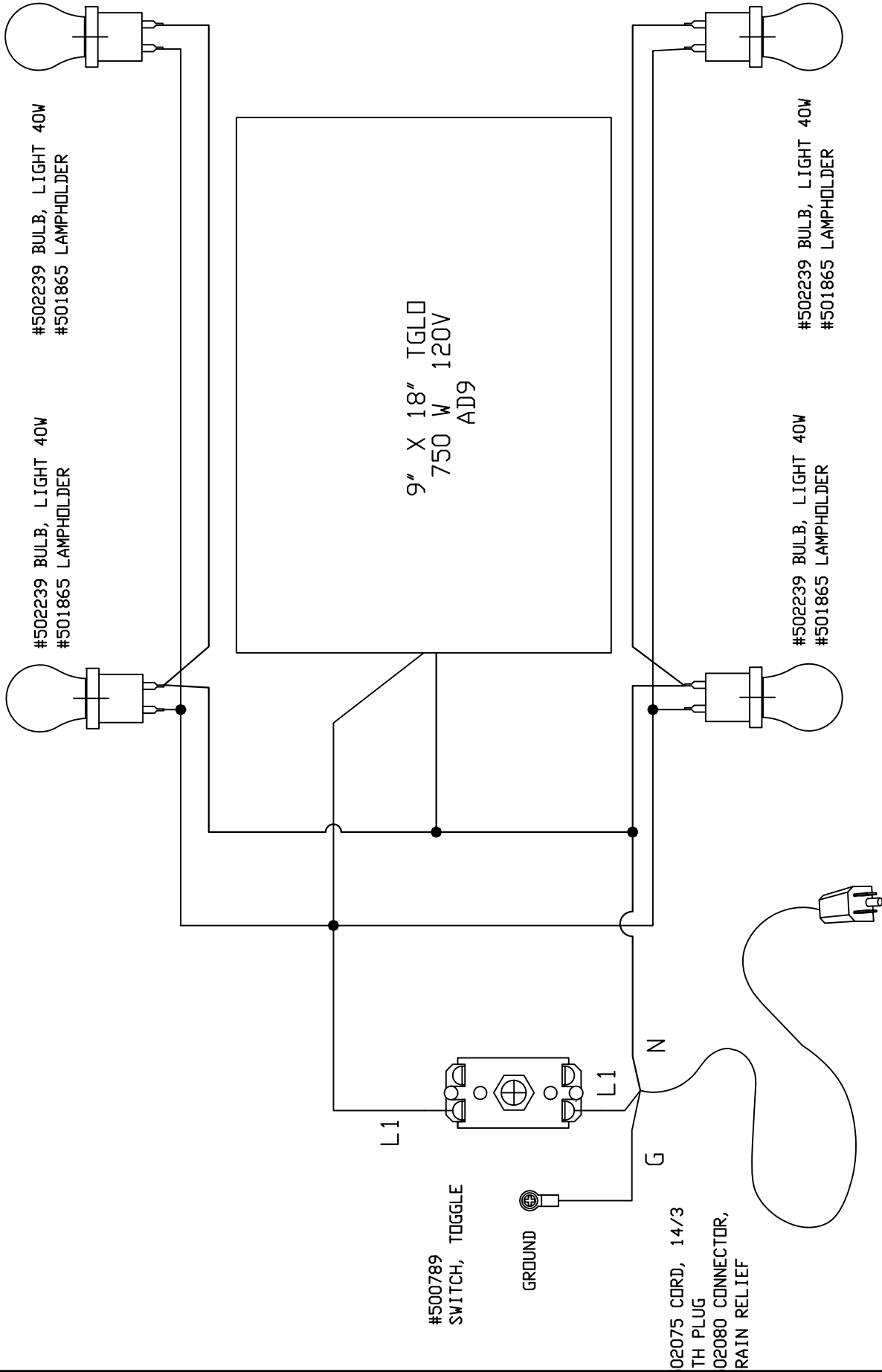
120928



| REV | DESCRIPTION | DATE | REV. BY | REV. DATE |
|-----------------------------------|-------------|------|---------|-----------|
| - | | - | | - |
| DRAWN BY: P.W. DATE: 10-JAN-1994 | | | | |
| GENERIC NAME: - | | | | |
| PRODUCT LINE: FAB | | | | |
| PRODUCT CLASS: VNT | | | | |
| W/NEUTRAL W/RECEPTACLE - OBSOLETE | | | | |
| SIZE: A | | | | |
| ROUTE: ELECT | | | | |
| DWG. NO.: 120928 | | | | |
| REV: 0 | | | | |
| SCALE: 1:4 | | | | |
| IMAGE MAY BE REDUCED | | | | |
| CODE: RR5B | | | | |
| NTS | | | | |

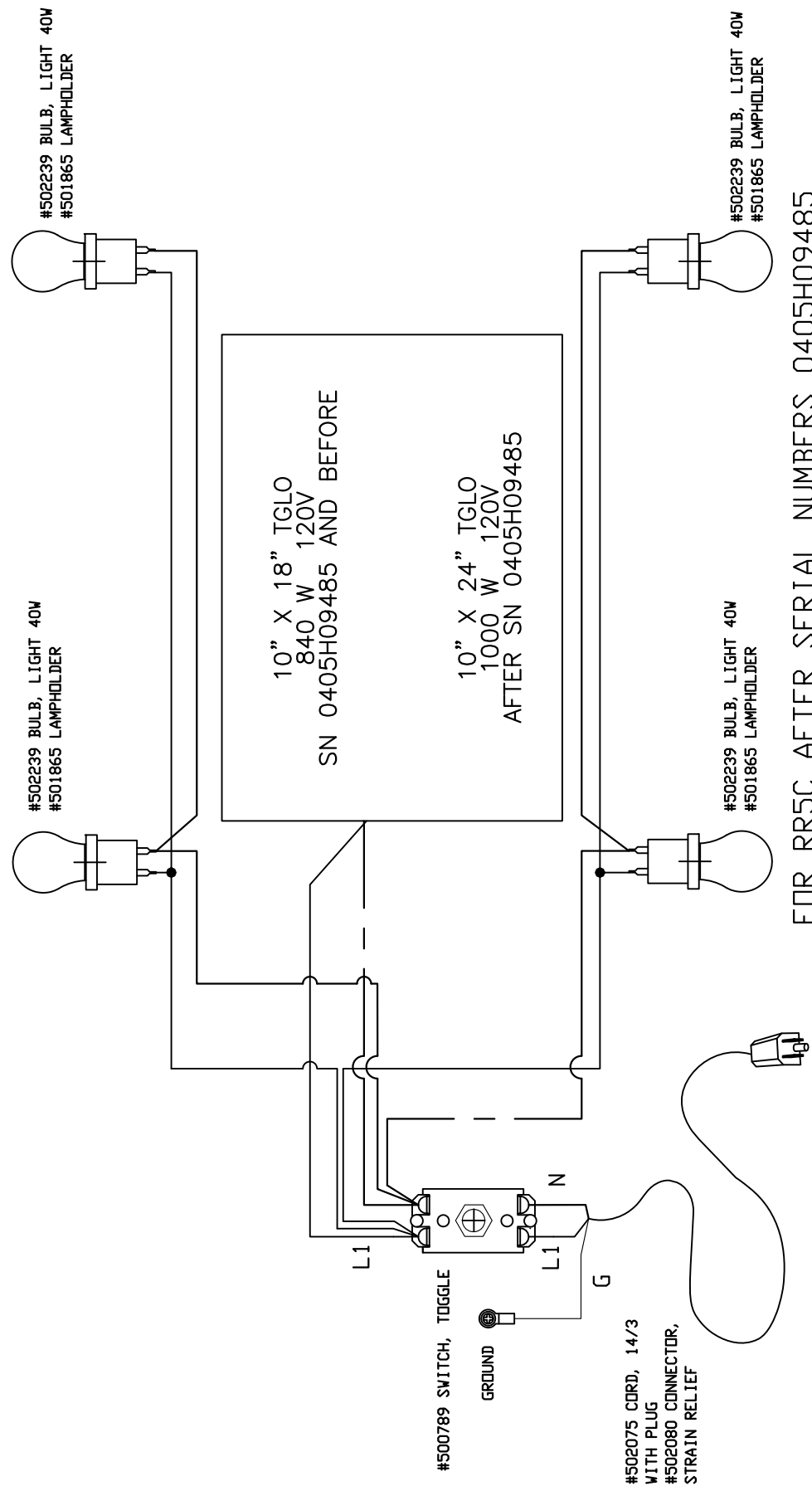
120745

FOR SERIAL NUMBERS 0800H1692 AND BEFORE ONLY



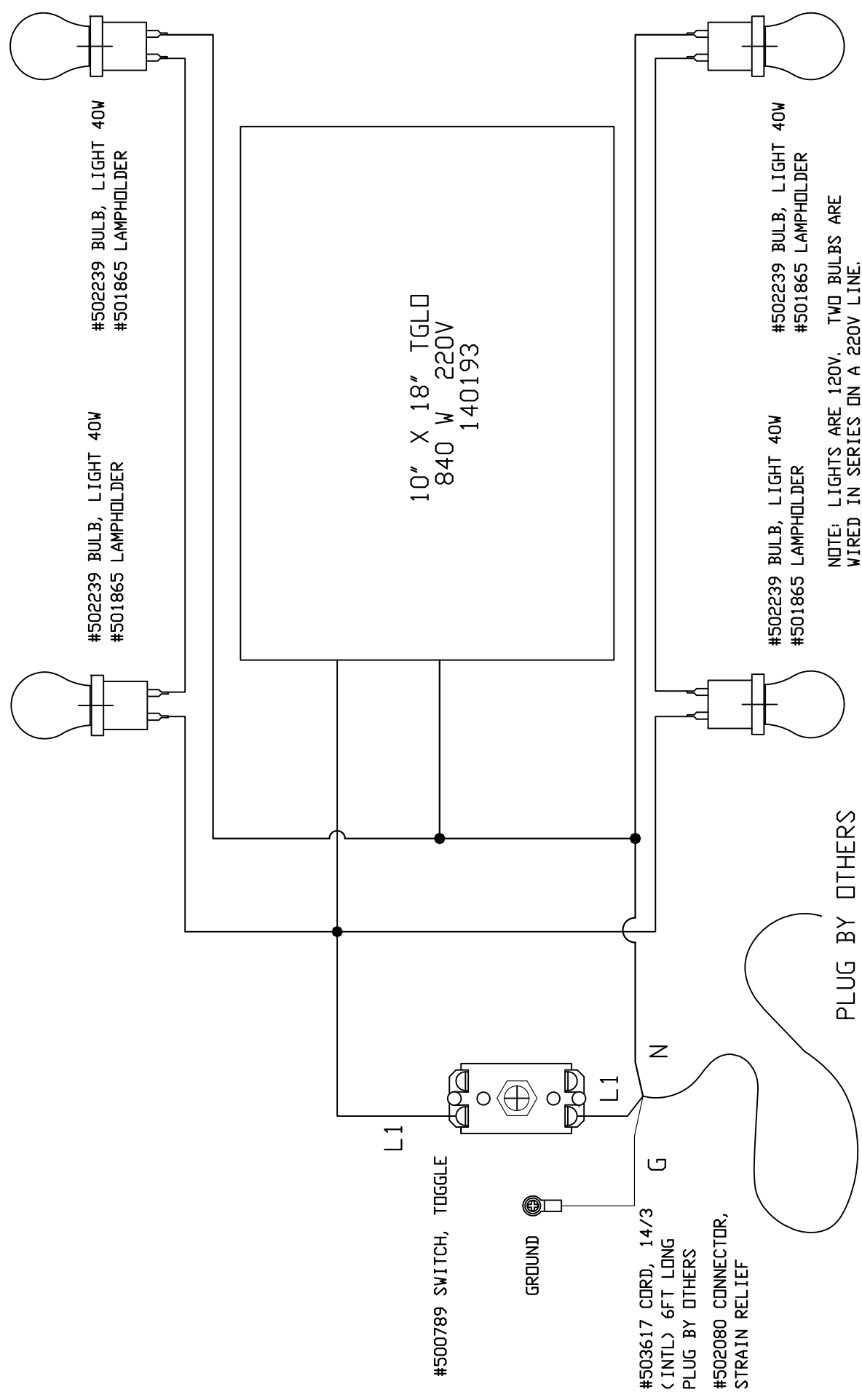
| | | | | | | |
|-------------------|---------------------------|--------------------|----------------------------------------------------|------------------|---------------------------------------------------------------|--|
| REV | DESCRIPTION | DATE | REV. BY | REV. DATE | MARSHALL AIR SYSTEMS, INC. | |
| 1 | DELETED FUSE & RECEPTACLE | 27-MAY-1999 | | 27-MAY-1999 | SCHEMATIC, 910W 120V 3 WIRE NEUTRAL FOR S/N 0800H1692 AND BEF | |
| DRAWN BY: P.W. | | DATE: 07-JAN-1994 | REV DATE: 27-MAY-1999 | | MARSHALL AIR SYSTEMS, INC. | |
| GENERIC NAME: FAB | | PRODUCT CLASS: VNT | PRODUCT CLASS: W/NEUTRAL FOR S/N 0800H1692 AND BEF | | SCHEMATIC, 910W 120V 3 WIRE NEUTRAL FOR S/N 0800H1692 AND BEF | |
| REFERENCE | | SIZE: A | ROUTE: ELECT | DWG. NO.: 120745 | REV: 1 | |
| " X | | SCALE: 1:4 | IMAGE MAY BE REDUCED | | CODE: RR5C RR5D | |
| | | | | NTS | | |

THIS SCHEMATIC IS FOR USE BY A QUALIFIED TECHNICIAN OR ELECTRICIAN ONLY.



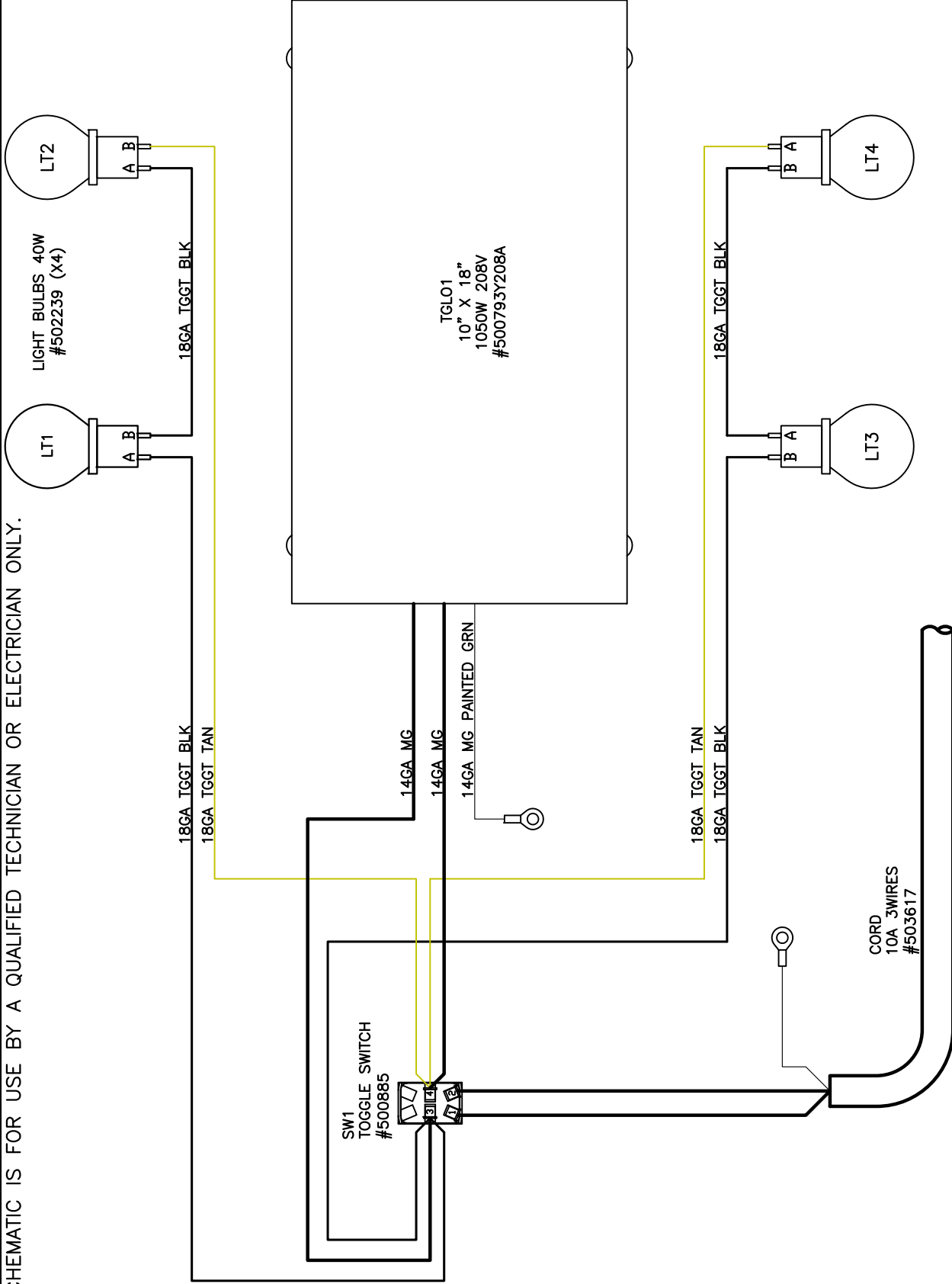
FOR RR5C AFTER SERIAL NUMBERS 0405H09485

| | | | | | | | |
|-----|--------------------------|-------------|---------|-----------|----------|------------|--------------------------------------------|
| REV | DESCRIPTION | DATE | REV. BY | DRAWN BY: | DATE: | REV. DATE: | MARSHALL AIR SYSTEMS, INC. |
| 1 | UPDATED TGLO, CHG WATAGE | 03-NOV-2005 | J.L. | J.M.R01 | AUG-2005 | - | SCHEMATIC, 1160W 120V 3 WIRE |
| 2 | CHG SWITCH WIRING | 30-NOV-2011 | PW | SCHEMATIC | | | W/NEUTRAL FOR AFTER S/N 0405H 09485 |
| | | | | FAB | | | SIZE: ROUTE: ASBY DWG. NO.: 140074 REV.: 2 |
| | | | | REFERENCE | | | SCALE: 1:5 IMAGE MAY BE REDUCED CODE: RR5C |
| | | | | " X " " | | | NTS |

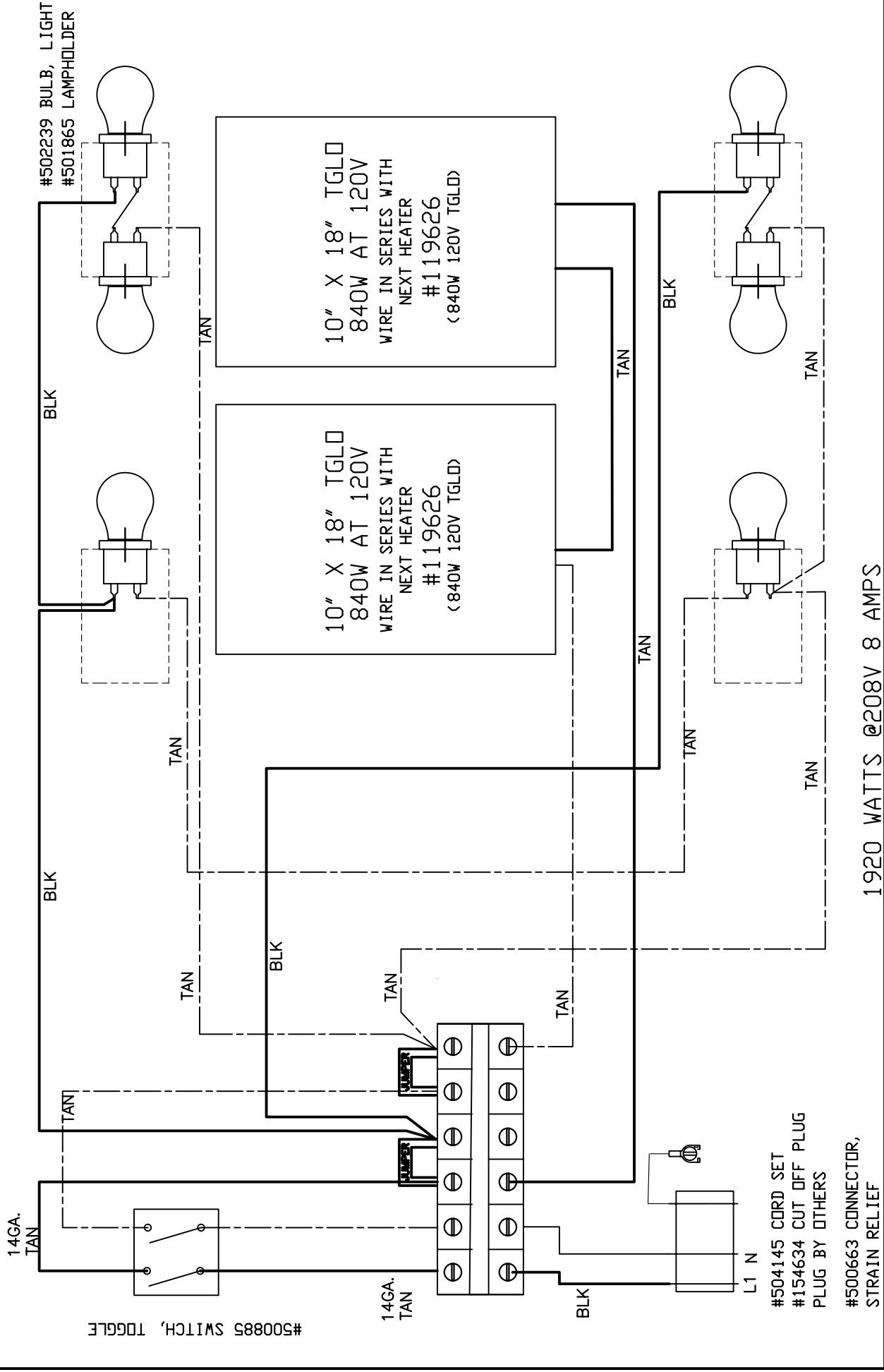


| | | | | | | | |
|---------------|-------------|----------------------|---------|----------------|-------------|--------------------------------------------|--|
| REV | DESCRIPTION | DATE | REV. BY | DRAWN BY: | REV DATE: | MARSHALL AIR SYSTEMS, INC. | |
| - | - | - | - | C.P. | 05-DEC-2000 | SCHEMATIC, 975W 220V 50Hz 3 WIRE W/NEUTRAL | |
| GENERIC NAME: | | PRODUCT LINE: | | PRODUCT CLASS: | | SIZE: ROUTE: DWG. NO. REV: | |
| FAB | | HHC | | REFERENCE | | A ELECT 140189 0 | |
| SCALE: | | IMAGE MAY BE REDUCED | | CODE: | | RR5CINTL | |
| " X | | 1:4 NTS | | RR5CINTL | | REV: 0 | |

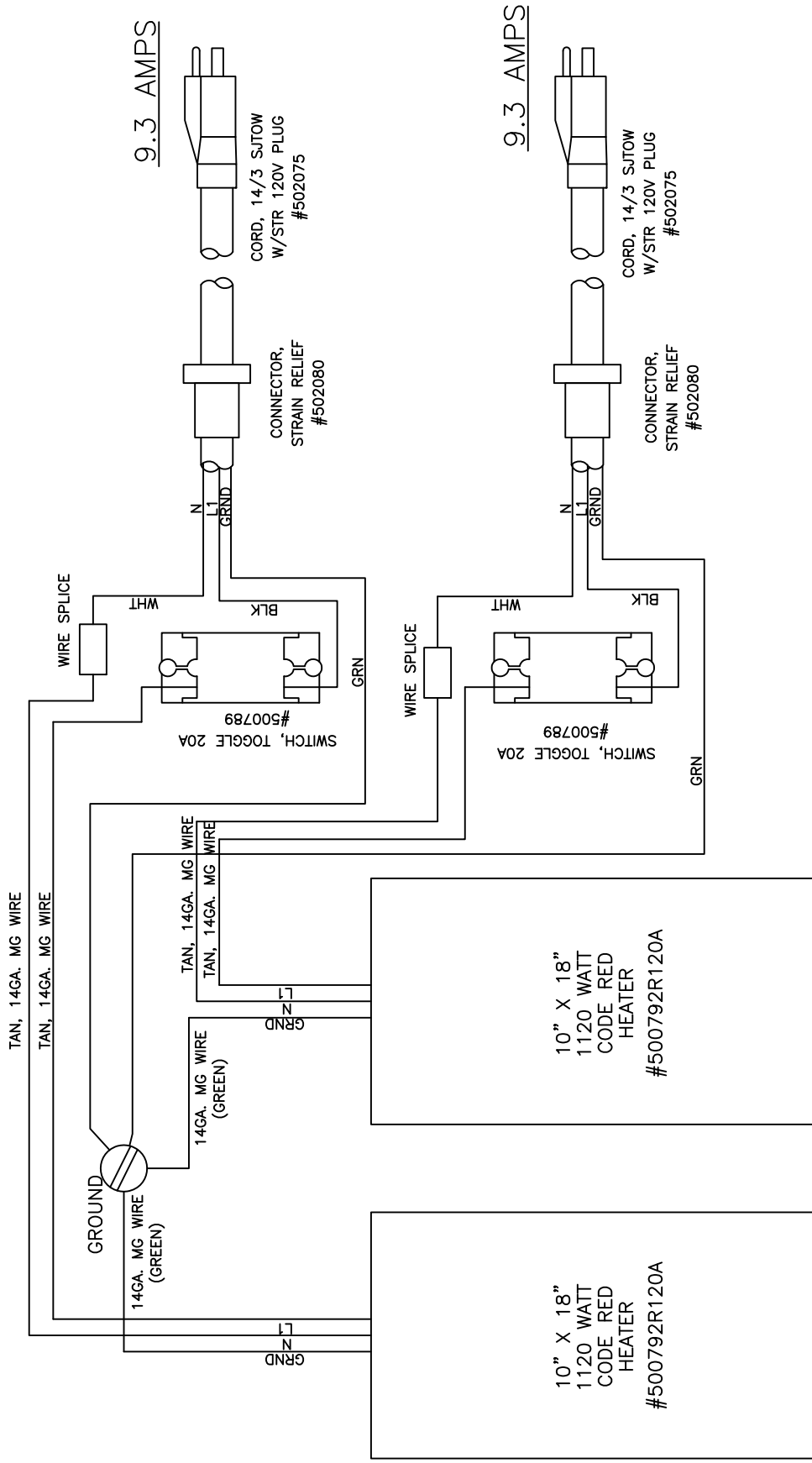
THIS SCHEMATIC IS FOR USE BY A QUALIFIED TECHNICIAN OR ELECTRICIAN ONLY.



| | | | | | | |
|---------------------------------|-------------|------------------|------|----|-----------|-----------|
| REV | DESCRIPTION | DATE | REV. | BY | DRAWN BY: | DATE: |
| - | | - | - | - | S.A. | 6/25/2012 |
| MARSHALL AIR SYSTEMS, INC. | | SCHEMATIC | | | | |
| DUMP STATION, FRY 18" WIDE 208V | | HHC | | | | |
| REFERENCE | | MATERIAL: | | | | |
| " X " " | | SCALE: NTS | | | | |
| RR5C-1 | | CODE: NTS | | | | |
| 159614 | | DWG. NO.: 159614 | | | | |
| ELECT | | ROUTE: ELECT | | | | |
| A | | SIZE: A | | | | |
| 0 | | REV: 0 | | | | |



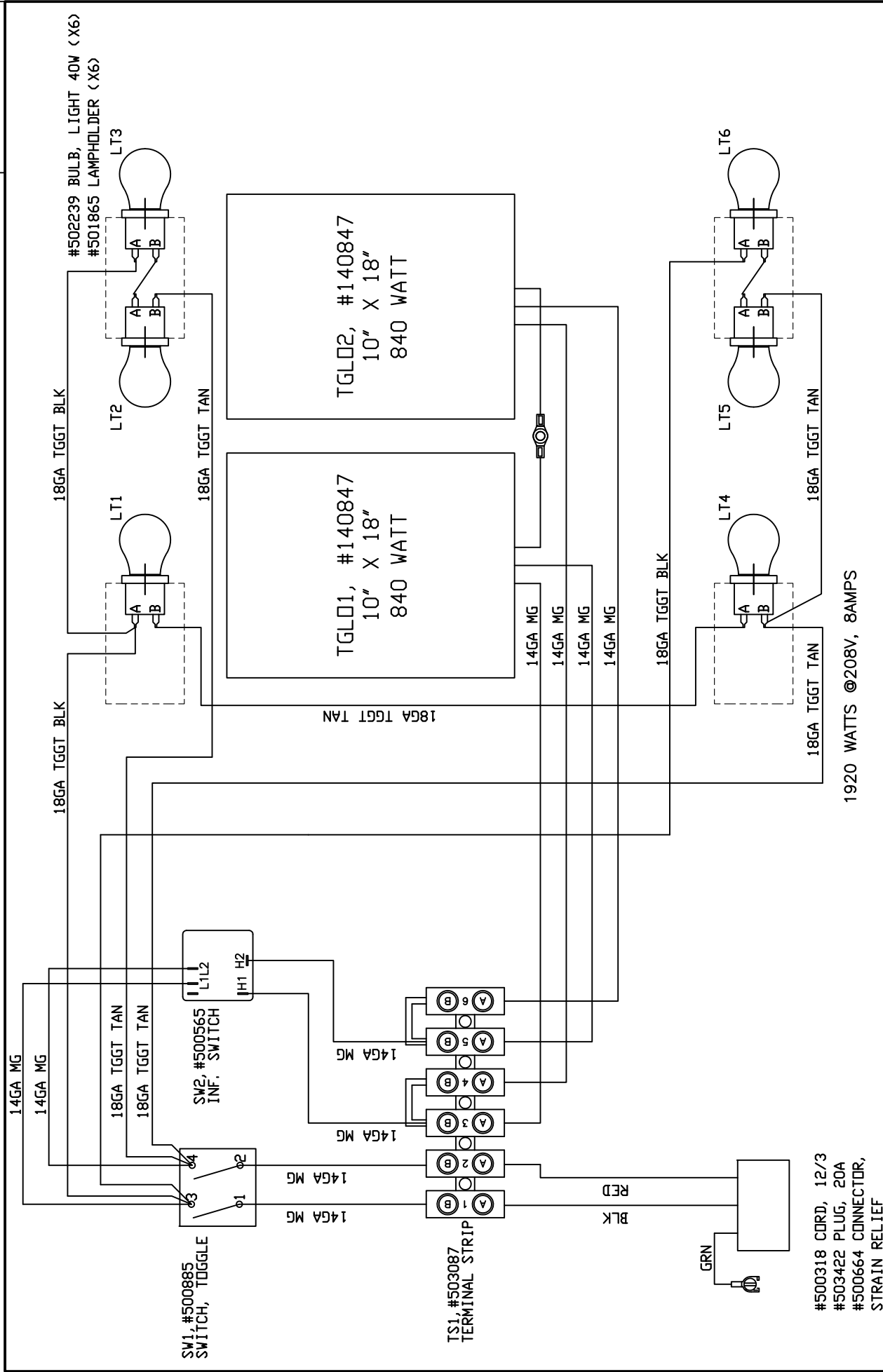
| | | | | | | | | | |
|-------------------------|----------------------------|--------------|----------------------|-------------------|------------------|--------------------------------------------|--|----------------------------|--|
| 1920 WATT @ 208V 8 AMPS | | DRAWN BY: CP | | DATE: 02-AUG-1993 | | REV DATE: - | | MARSHALL AIR SYSTEMS, INC. | |
| REV | DESCRIPTION | DATE | REV. | BY | GENERIC NAME: | SCHEMATIC, 1920W 240V 50Hz 3Wire W/NEUTRAL | | | |
| 1 | 504145 WAS 503350 | 11-DEC-2009 | | WW | PRODUCT LINE: | HHC | | | |
| 2 | UPDATED TO HAVE TERM STRIP | 21-OCT-2010 | | PW | PRODUCT CLASS: | HHC | | | |
| REFERENCE | | SIZE: A | ROUTE: ASBY | DWG. NO.: 138139 | REV.: 2 | | | | |
| " X | | SCALE: 1:6 | IMAGE MAY BE REDUCED | | CODE: RR5EINTLCE | | | | |



TOTAL AMPS FOR BOTH CIRCUITS 18.6

| | | | | | | | | | | |
|-----|-------------|------|---------|---------------|-------------|----------------|-----------------------------------|--------|----------------------|-------|
| REV | DESCRIPTION | DATE | REV. BY | DRAWN BY: | DATE: | REV DATE: | MARSHALL AIR SYSTEMS, INC. | | | |
| - | | - | - | D.M. | 26-MAR-2004 | 26-MAR-2004 | SCHEMATIC, 2240W 120V | | | |
| | | | | GENERIC NAME: | SCHMATIC | PRODUCT CLASS: | | | | |
| | | | | PRODUCT LINE: | HHC | | SIZE: | ROUTE: | DWG. NO.: | REV.: |
| | | | | | | | A | ELECT | 144873 | 0 |
| | | | | REFERENCE | | | SCALE: | 1:1 | IMAGE MAY BE REDUCED | CODE: |
| | | | | | X | | | NTS | RR5F | |

156582



#500318 CORD, 12/3
 #503422 PLUG, 20A
 #500664 CONNECTOR,
 STRAIN RELIEF

1920 WATTS @208V, 8AMPS

| REV | DESCRIPTION | DATE | REV. BY | REV. | DATE | REV. DATE: | MARSHALL AIR SYSTEMS, INC. | | |
|----------------------|----------------------|------------|---------|------|------------|------------|---------------------------------------|------------------|--------|
| 1 | REROUTED LIGHT WIRES | 5-MAY-2012 | S.A. | | 5-MAY-2012 | 5-MAY-2012 | SCHEMATIC, 1920W 208V, 3 WIRE RR5M | | |
| REFERENCE | | | | | | | SIZE: A | ROUTE: ASBY | REV: 1 |
| " X | | | | | | | SCALE: NTS | DWG. NO.: 156582 | |
| IMAGE MAY BE REDUCED | | | | | | | CODE: RR5M | | |

156588

14GA MG
14GA MG
14GA MG PAINTED GREEN

TGLO1
20" X 14"
1300W 120V
#156586

SW1, SWITCH, TOGGLE 20A,
#500885
BOOT, TOGGLE SWITCH
#503148

CORD, 14/3, 120V PLUG,
RATED 18A
#502075
CONNECTOR, STRAIN RELIEF,
#502080

GRD GREEN
L2 WHITE
L1 BLACK

| | | | | | | | | |
|-----|------------------------|-----------|---------|---------------|----------------|-----------|-------------------------------|----------------------|
| REV | DESCRIPTION | DATE | REV. BY | DRAWN BY: | DATE: | REV DATE: | MARSHALL AIR SYSTEMS, INC. | |
| 1 | TERMINAL STRIP REMOVED | 5/16/2012 | S.A. | S.A. | 4/26/2012 | 5/16/2012 | SCHEMATIC, 1300W 120V RR5G | |
| | | | | GENERIC NAME: | PRODUCT CLASS: | | SIZE: | ROUTE: |
| | | | | SCHEMATIC | HHC | | A | ASBY |
| | | | | FAB | | | | NTS |
| | | | | REFERENCE | | | DWG. NO.: | CODE: |
| | | | | | | | 156588 | RR5G |
| | | | | | | | SCALE: | IMAGE MAY BE REDUCED |
| | | | | | | | X | NTS |
| | | | | | | | REV.: | 1 |