

#500065  
FUSE BLOCK  
#500063  
10 AMP FUSE

#502197  
THERMOCOUPLE

#501958  
TRANSFORMER  
240V TO 120V

#502625  
RELAY, MERCURY 1 POLE 20A  
240V COIL

FUSE HOLDER  
500068  
FUSE AGC3  
500334

CONVEYOR  
SWITCH #501864

14GA. TKGT

14GA. TKGT

10GA. TKGT

18GA. BLUE

FAN #110042

#500048 ELEMENT  
895 WATTS - 240 VOLTS

#502168  
TRANSFORMER  
240V TO 12V

JUMPER  
#500392  
BK  
BK

BLACK

#500956  
TERM STRIP

ROTARY POT  
#502892

#500211  
RELAY  
30A 480VAC  
COIL 240V  
3 POLE

12V  
12V  
BLACK

YELLOW  
YELLOW

TEMPERATURE CONTROL  
#116527

10GA. TKGT

WHITE

LUG  
#500732  
L1 L2 L3 N  
GRD

LINE FILTER  
503574

CIRCUIT BOARD #501824 SPEC #1182

RED

HEAT  
SWITCH #501864

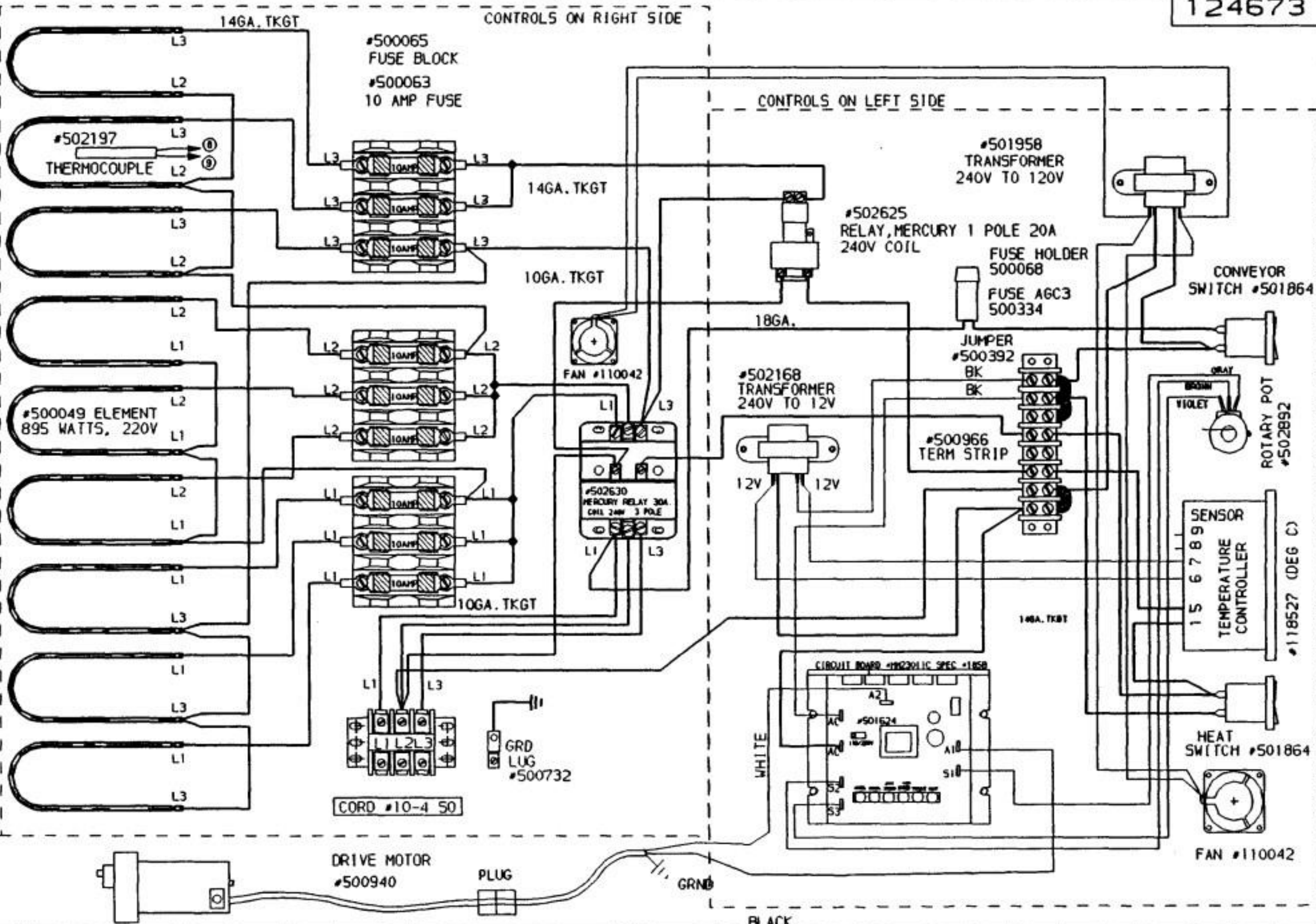
DRIVE MOTOR  
#500940

PLUG

GRND  
503575  
GRND

FAN #110042

415VOLTS, 3ø, 50HZ, 12AMPS EACH LEG (L1, L2, L3)



CONTROLS ON RIGHT SIDE

CONTROLS ON LEFT SIDE

14GA. TKG T

#500065  
FUSE BLOCK  
#500063  
10 AMP FUSE

#501958  
TRANSFORMER  
240V TO 120V

#502625  
RELAY, MERCURY 1 POLE 20A  
240V COIL

FUSE HOLDER  
500068  
FUSE AGC3  
500334

CONVEYOR  
SWITCH #501864

10GA. TKG T

FAN #110042

#502168  
TRANSFORMER  
240V TO 12V

JUMPER  
#500392  
BK  
BK

#500966  
TERM STRIP

ROTARY POT  
#502892

#502630  
MERCURY RELAY 30A  
COIL 240V 3 POLE

SENSOR  
TEMPERATURE  
CONTROLLER  
#118527 (DEG C)

CORD #10-4 50

DRIVE MOTOR  
#500940

PLUG

GRND

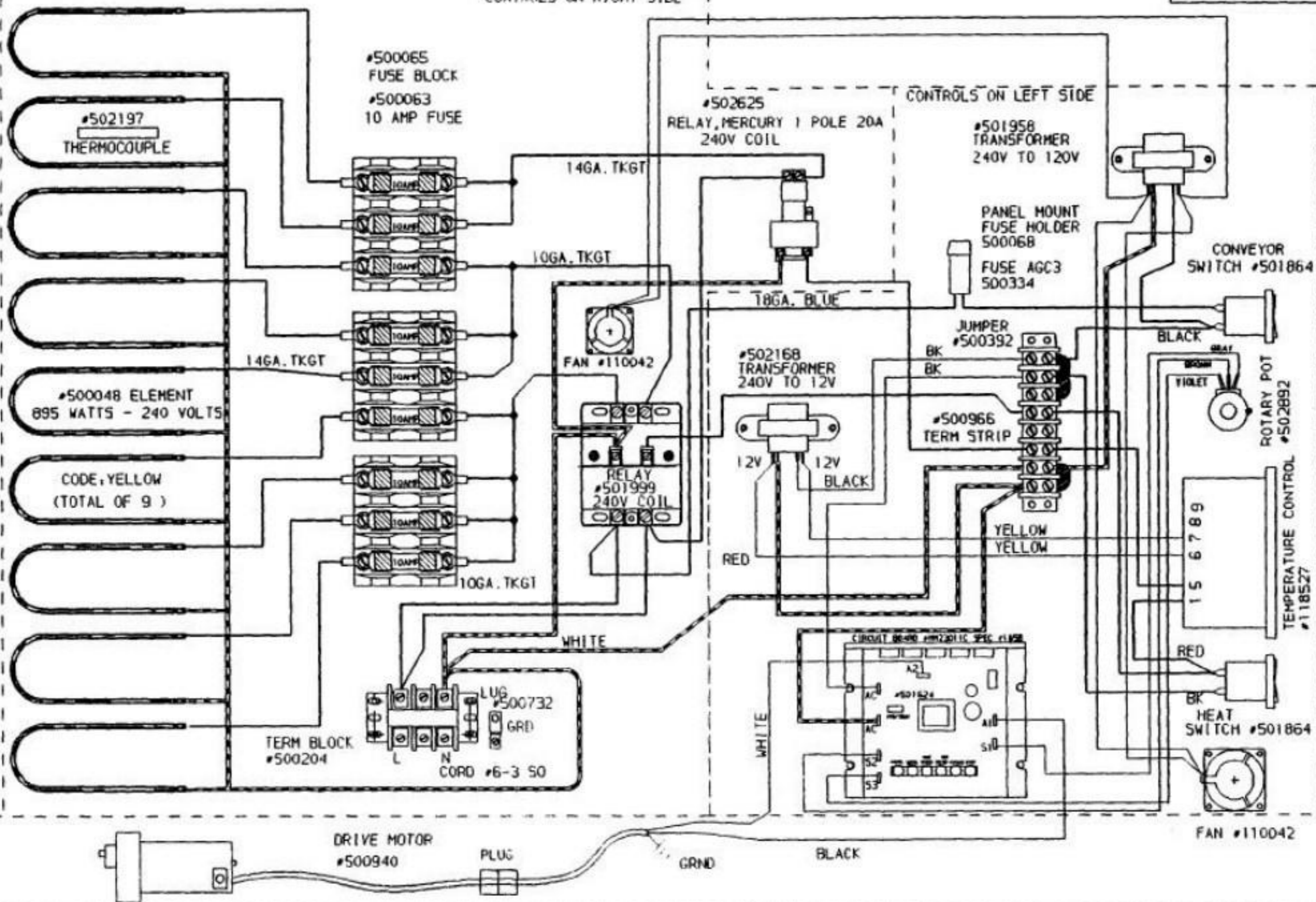
HEAT  
SWITCH #501864

FAN #110042

BLACK

CONTROLS ON RIGHT SIDE

CONTROLS ON LEFT SIDE



#500065  
FUSE BLOCK  
#500063  
10 AMP FUSE

#502625  
RELAY, MERCURY 1 POLE 20A  
240V COIL

#501958  
TRANSFORMER  
240V TO 120V

PANEL MOUNT  
FUSE HOLDER  
500068  
FUSE AGC3  
500334

CONVEYOR  
SWITCH #501864

14GA. TKGT

10GA. TKGT

18GA. BLUE

FAN #110042

#502168  
TRANSFORMER  
240V TO 12V

JUMPER  
#500392

#500966  
TERM STRIP

ROTARY POT  
#502892

RELAY  
#501999  
240V COIL

12V  
12V  
BLACK

YELLOW  
YELLOW

TEMPERATURE CONTROL  
#118527

WHITE

CIRCUIT BOARD #1122011C SPEC #1122

RED

HEAT  
SWITCH #501864

TERM BLOCK  
#500204

LUG #500732  
GRD  
L N  
CORD #6-3 50

WHITE

BLACK

FAN #110042

DRIVE MOTOR  
#500940

PLUG

GRND

#502197  
THERMOCOUPLE

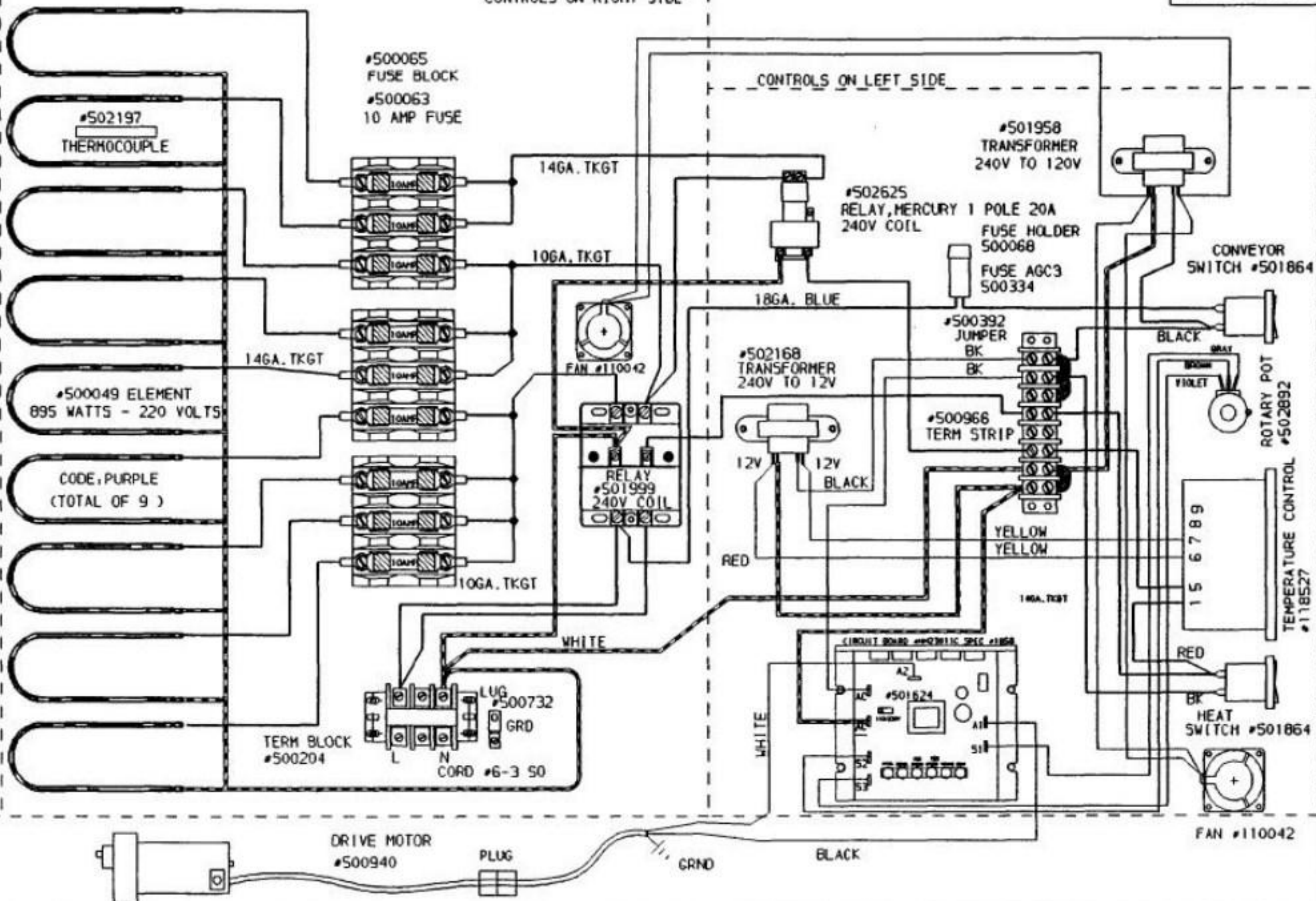
#500048 ELEMENT  
895 WATTS - 240 VOLTS

CODE, YELLOW  
(TOTAL OF 9)



CONTROLS ON RIGHT SIDE

CONTROLS ON LEFT SIDE



#500065  
FUSE BLOCK  
#500063  
10 AMP FUSE

#502197  
THERMOCOUPLE

#500049 ELEMENT  
895 WATTS - 220 VOLTS

CODE, PURPLE  
(TOTAL OF 9)

TERM BLOCK  
#500204  
LUG #500732  
GRD  
L N  
CORD #6-3 50

DRIVE MOTOR  
#500940

PLUG

GRND

BLACK

FAN #110042

14GA. TKGT

14GA. TKGT

10GA. TKGT

14GA. TKGT

10GA. TKGT

WHITE

WHITE

RED

12V

12V

BLACK

18GA. BLUE

#502168  
TRANSFORMER  
240V TO 12V

#501958  
TRANSFORMER  
240V TO 120V

#502625  
RELAY, MERCURY 1 POLE 20A  
240V COIL

FUSE HOLDER  
#500068  
FUSE AGC3  
#500334

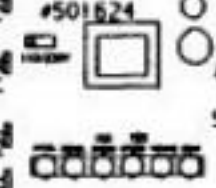
#500392  
JUMPER  
BK BK

#500966  
TERM STRIP

YELLOW  
YELLOW

10GA. TEST

CIRCUIT BOARD #501624 SPEC #118513



CONVEYOR  
SWITCH #501864

BLACK

GRAY

VIOLET

ROTARY POT  
#502892

1 5 6 7 8 9

TEMPERATURE CONTROL  
#118527

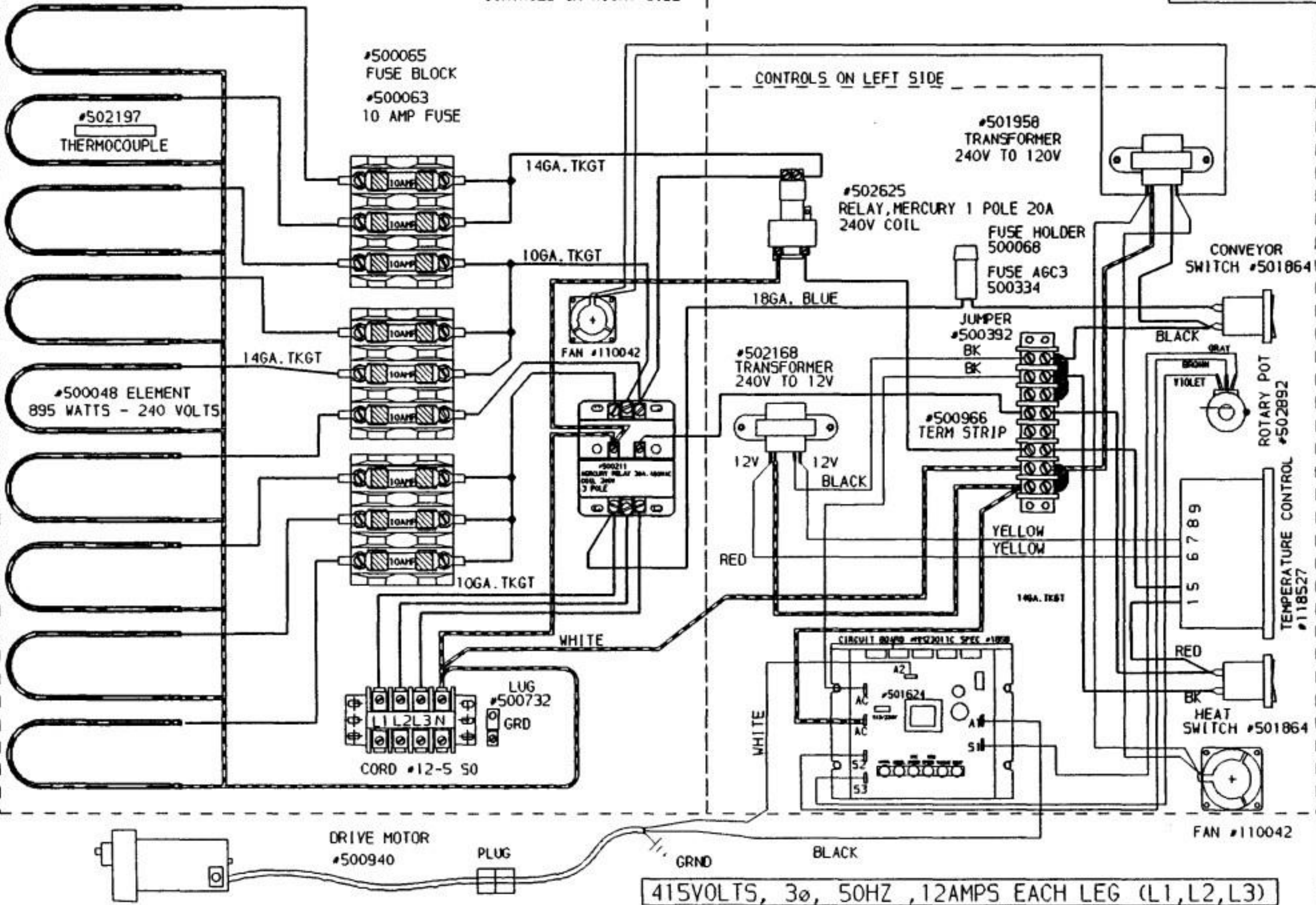
RED

BK

HEAT SWITCH #501864

CONTROLS ON RIGHT SIDE

CONTROLS ON LEFT SIDE



#500065  
FUSE BLOCK  
#500063  
10 AMP FUSE

#502197  
THERMOCOUPLE

#500048 ELEMENT  
895 WATTS - 240 VOLTS

LUG #500732  
L1 L2 L3 N GRD  
CORD #12-5 50

DRIVE MOTOR  
#500940

PLUG

GRND

BLACK

415VOLTS, 3 $\phi$ , 50HZ, 12AMPS EACH LEG (L1, L2, L3)

#501958  
TRANSFORMER  
240V TO 120V

#502625  
RELAY, MERCURY 1 POLE 20A  
240V COIL

FUSE HOLDER  
500068  
FUSE AGC3  
500334

JUMPER  
#500392  
BK BK

#502168  
TRANSFORMER  
240V TO 12V

#500966  
TERM STRIP

CONVEYOR  
SWITCH #501864

ROTARY POT  
#502892

TEMPERATURE CONTROL  
#118527

HEAT  
SWITCH #501864

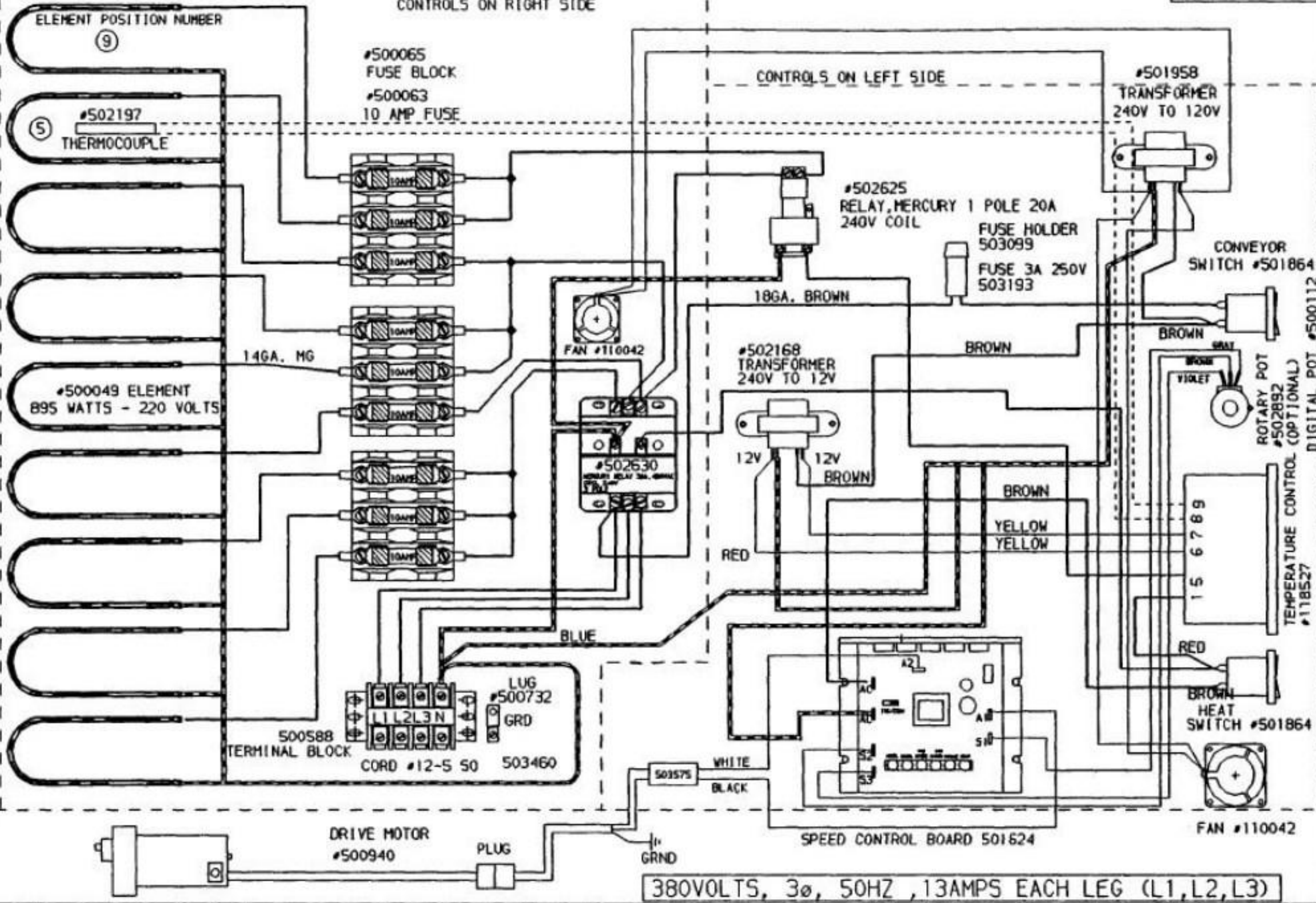
FAN #110042

ELEMENT POSITIONS ARE NUMBERED FROM FRONT TO BACK, STARTING WITH TOP ROW.

118508

CONTROLS ON RIGHT SIDE

CONTROLS ON LEFT SIDE



380VOLTS, 3 $\phi$ , 50HZ, 13AMPS EACH LEG (L1,L2,L3)

DIGITAL POT #500112

TEMPERATURE CONTROL (OPTIONAL) #118527

ROTARY POT #502892

CONVEYOR SWITCH #501864

FAN #110042

BROWN HEAT SWITCH #501864

1 5 6 7 8 9

BROWN

#501958 TRANSFORMER 240V TO 120V

FUSE HOLDER 503099  
FUSE 3A 250V 503193

#502625 RELAY, MERCURY 1 POLE 20A 240V COIL

#502168 TRANSFORMER 240V TO 12V

#502630 RELAY 24V 3A 20A

LUG #500732  
L1 L2 L3 N GRD  
500588 TERMINAL BLOCK  
CORD #12-5 50 503460

DRIVE MOTOR #500940

PLUG

GRND

SPEED CONTROL BOARD 501624

FAN #110042

BLUE

RED

12V 12V BROWN

BROWN

BROWN  
YELLOW  
YELLOW

BROWN

RED

14GA. MG

#500065 FUSE BLOCK  
#500063 10 AMP FUSE

ELEMENT POSITION NUMBER

9

#502197 THERMOCOUPLE

#500049 ELEMENT 895 WATTS - 220 VOLTS