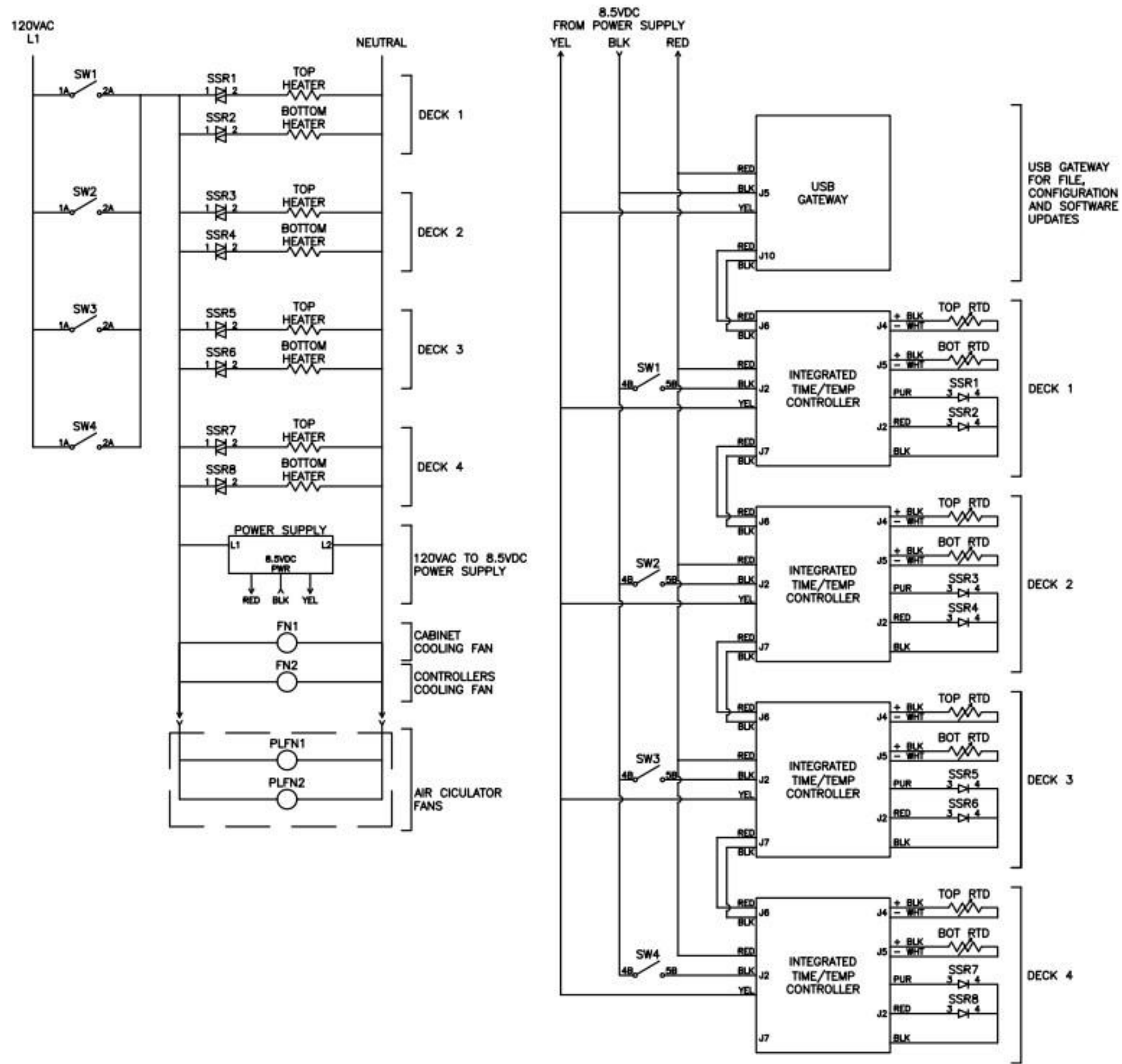
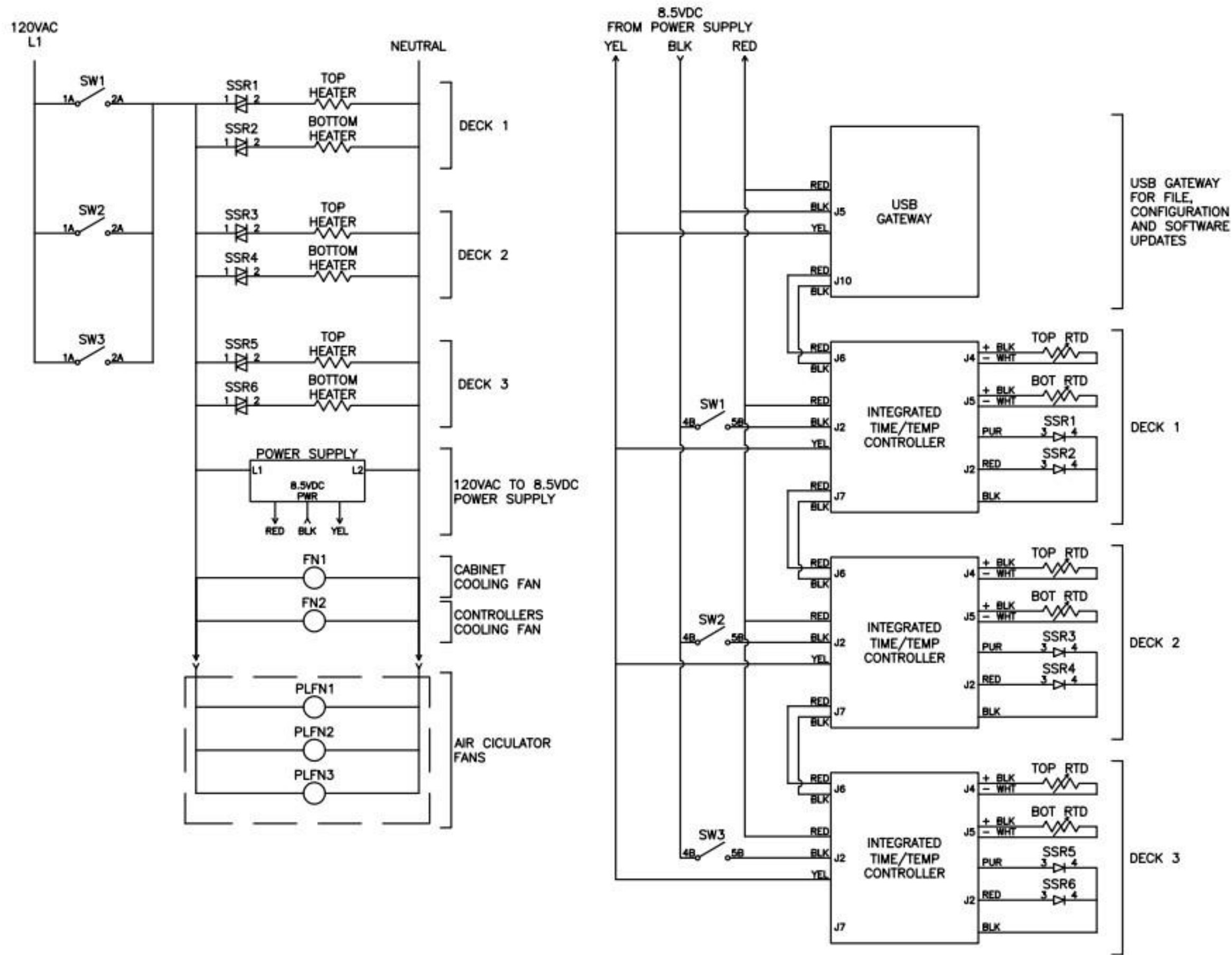


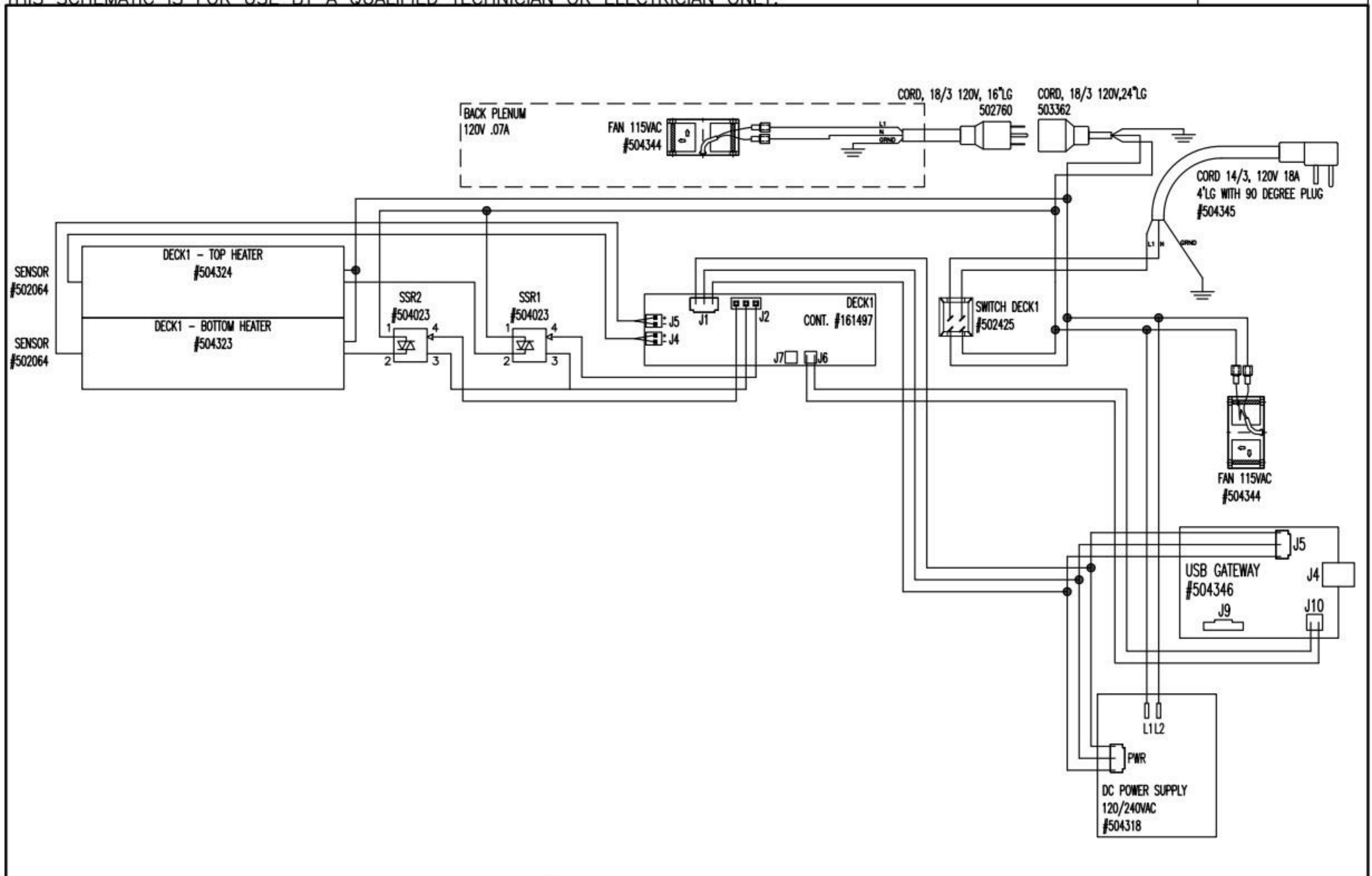
REV	DESCRIPTION	DATE	REV. BY	DRAWN BY: S.A.	DATE: 9/5/2013	<b>MARSHALL AIR SYSTEMS, INC.</b>					
1	REMOVED CONTROLLERS COOLING FAN (FN2)	8/7/2014	S.A.	GENERIC NAME: LADDER DIAGRAM						LADDER WIRING DIAGRAM DH5H-3WND	
				PRODUCT LINE: HHC	PRODUCT CLASS: HHC	SIZE: A	ROUTE: ELECT	DWG. NO.:	162884		
				MATERIAL: REFERENCE	SCALE: NTS		IMAGE MAY BE REDUCED NTS	CODE:	DH5H-3WND		



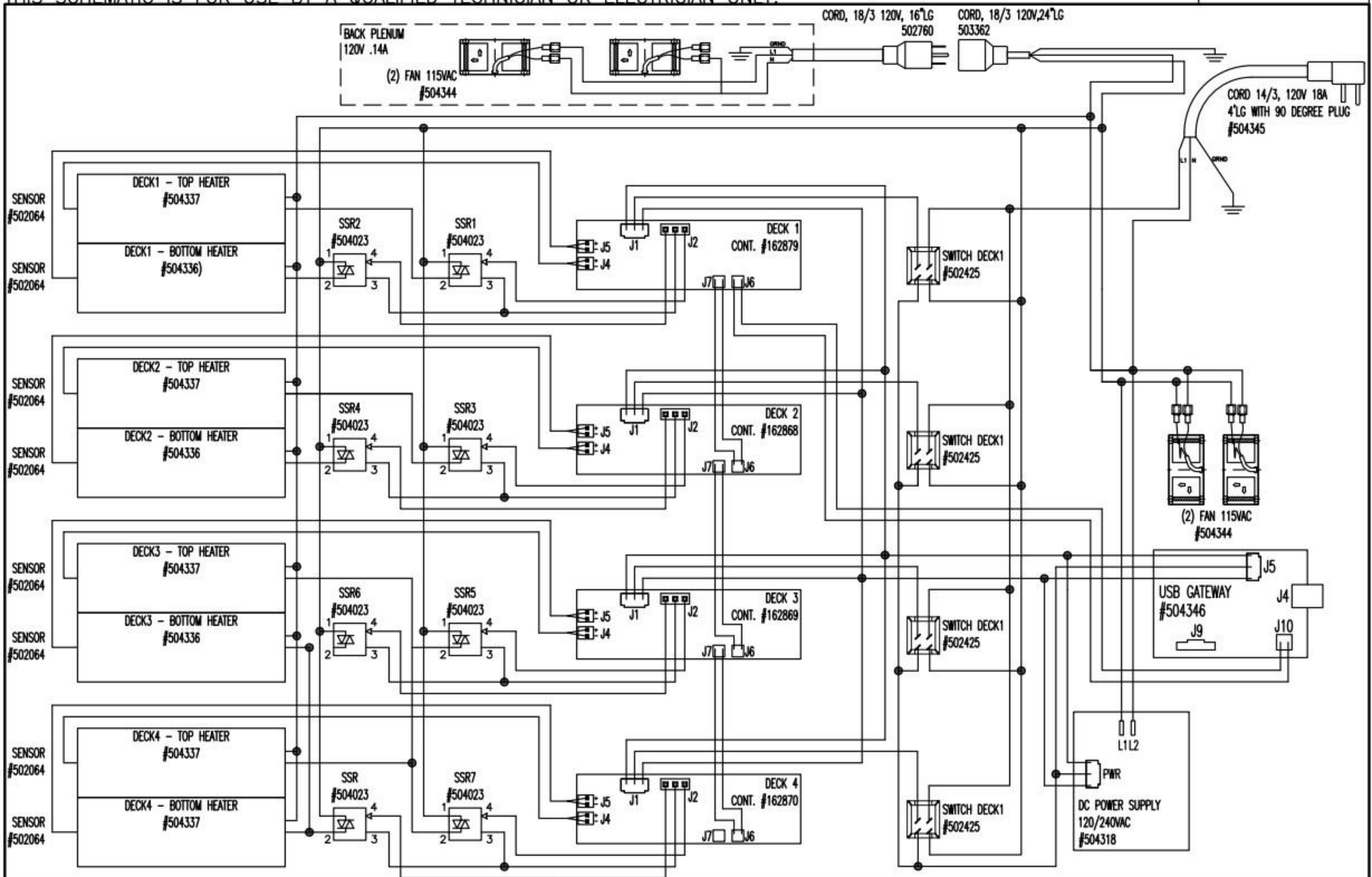
REV	DESCRIPTION	DATE	REV. BY	DRAWN BY:	DATE:	MARSHALL AIR SYSTEMS, INC.				
-	-	-	-	S.A.	9/5/2013	LADDER WIRING DIAGRAM				
				GENERIC NAME:	DH5G-3333WND					
				PRODUCT LINE:	PRODUCT CLASS:					
				HHC	HHC					
				MATERIAL:	REFERENCE	SIZE:	ROUTE:	DWG. NO.:	REV.:	
						A	ELECT	162883	0	
						SCALE:	IMAGE MAY BE REDUCED	CODE:	DH5G-3333WND	
						NTS	NTS			



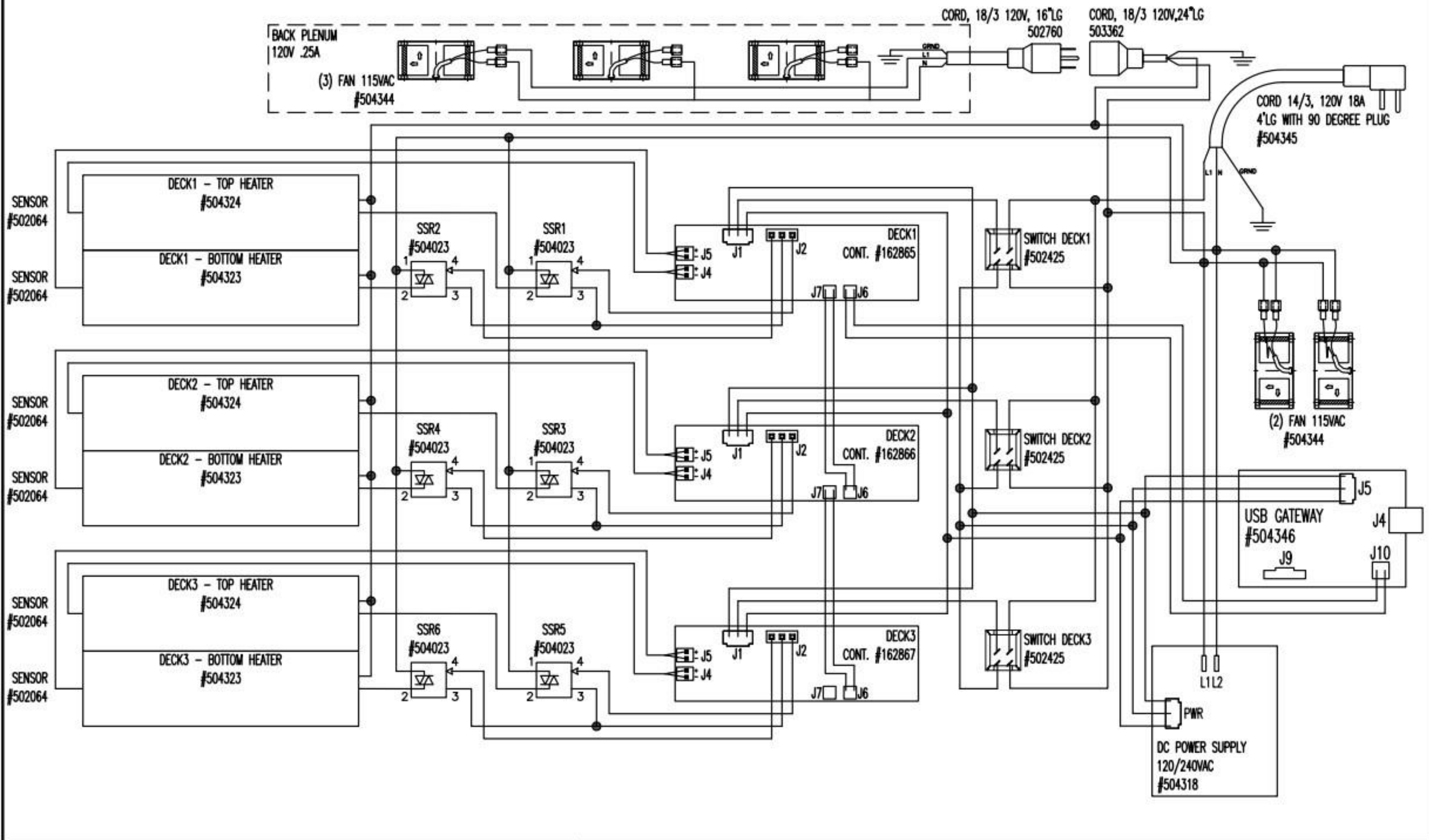
REV	DESCRIPTION	DATE	REV. BY	DRAWN BY: S.A.	DATE: 8/1/2013	<b>MARSHALL AIR SYSTEMS, INC.</b>					
-	-	-	-	GENERIC NAME: LADDER DIAGRAM						LADDER WIRING DIAGRAM DH5F-333WND	
				PRODUCT LINE: HHC	PRODUCT CLASS: HHC	SIZE: A	ROUTE: ELECT	DWG. NO.:	162501		
				MATERIAL: REFERENCE	" X "		SCALE: NTS	IMAGE MAY BE REDUCED NTS	CODE:	DH5F-333WND	



REV	DESCRIPTION	DATE	REV. BY	DRAWN BY:	DATE:	MARSHALL AIR SYSTEMS, INC.				
1	CONTROLLER P/N WAS 160800	3/7/2013	S.A.	S.A.	2/12/2013	SCHEMATIC, DH5H-3WND WITH PLENUM, 120V 3.1A				
2	TOP AND BOTTOM HEATERS WERE 161360 AND 161358	9/12/2013	S.A.							
				GENERIC NAME:	SIZE: A ROUTE: ELECT DWG. NO.: 161278 REV.: 2					
				SCHEMATIC						
				PRODUCT LINE:	PRODUCT CLASS:	SCALE: NTS IMAGE MAY BE REDUCED CODE: DH5H-3WND				
				FAB	HHC					
				MATERIAL:	REFERENCE					
				_____ " X _____ "						



REV	DESCRIPTION	DATE	REV. BY	DRAWN BY:	DATE:	MARSHALL AIR SYSTEMS, INC.					
1	ADDED CONTROLLERS FOR DECK 2 AND 4	8/13/2013	S.A.	S.A.	2/14/2013	SCHEMATIC, DH5G-3333WND WITH PLENUM, 120V 6.2A					
2	TOP AND BOTTOM HEATERS WERE 161360 AND 161358	9/12/2013	S.A.	GENERIC NAME: SCHEMATIC							
3	162879 WERE 160800	9/12/2013	S.A.	PRODUCT LINE: FAB		PRODUCT CLASS: HHC					
4	CONTROL DECK 2,3 & 4 WERE 162879	10/8/2013	S.A.	MATERIAL: REFERENCE		SIZE: A	ROUTE: ELECT	DWG. NO.:	161387	REV.:	5
5	ADDED SWITCHES FOR EACH DECK	12/18/2014	S.A.	SCALE: NTS		IMAGE MAY BE REDUCED NTS		CODE:	DH5G-3333WND		



REV	DESCRIPTION	DATE	REV. BY	DRAWN BY:	DATE:	MARSHALL AIR SYSTEMS, INC.			
1	ADD USB GATEWAY AND CHANGED CORDS	1/10/2013	S.A.	S.A.	11/2/2012	SCHEMATIC			
2	CORD 18/3 16'LG WAS #503362	2/4/2013	S.A.						
3	DECK 3 CONTROLLER P/N WAS 160800	3/7/2013	S.A.	GENERIC NAME:		DH5F-333WND WITH PLENUM, 120V 9A			
4	TOP AND BOTTOM HEATERS WERE 160657 AND 160655	9/12/2013	S.A.	PRODUCT LINE:	PRODUCT CLASS:				
5	CONTROL DECK 1,2 & 3 WERE 160800,160800 & 161497	10/8/2013	S.A.	FAB	HHC	SIZE:	ROUTE:	DWG. NO.:	REV.:
				MATERIAL:	REFERENCE	A	ELECT	160801	5
						SCALE:	IMAGE MAY BE REDUCED	CODE:	
						NTS	NTS	DH5F-333WND	