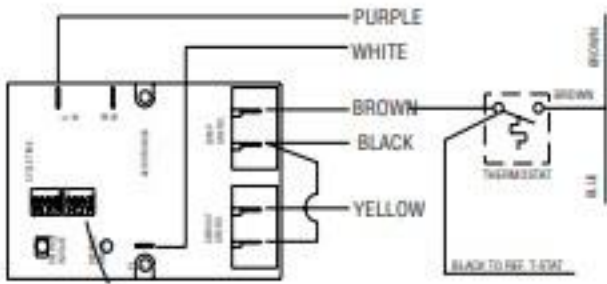
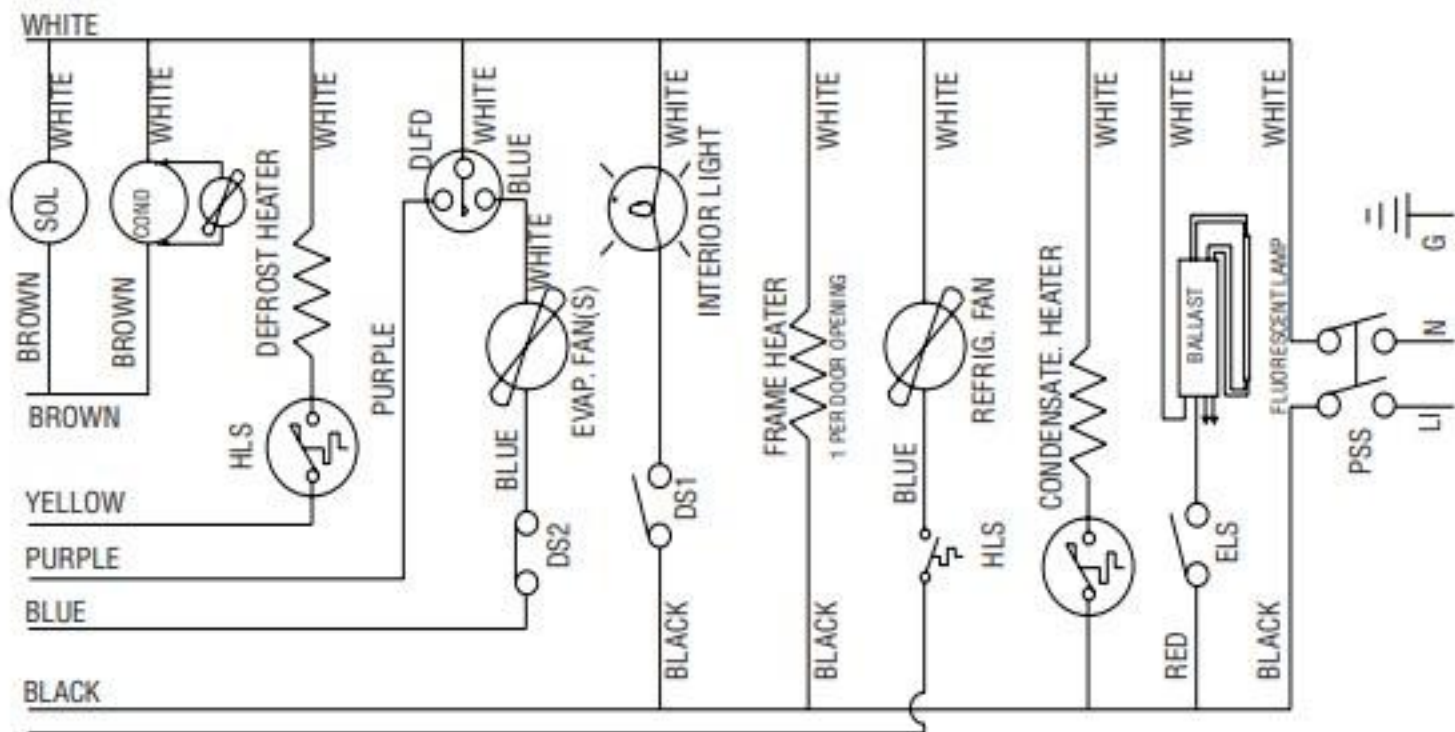
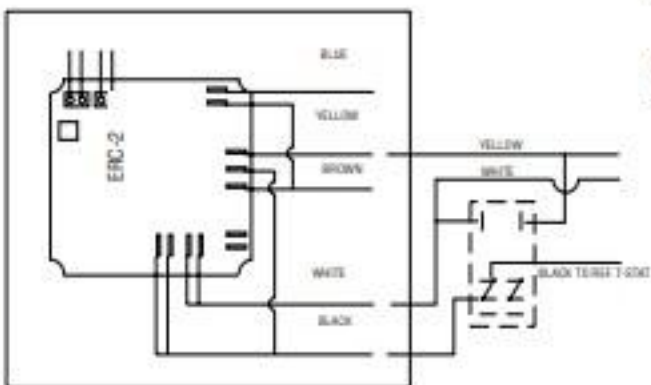


ELECTRONIC CONTROLS

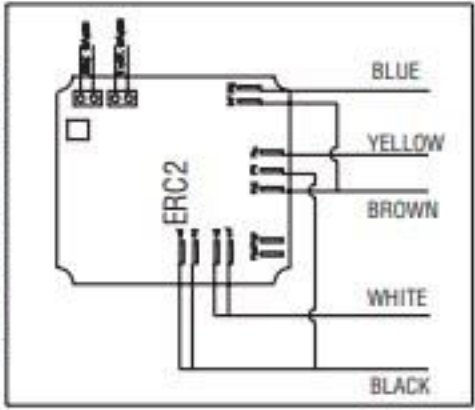


MECHANICAL CONTROLS

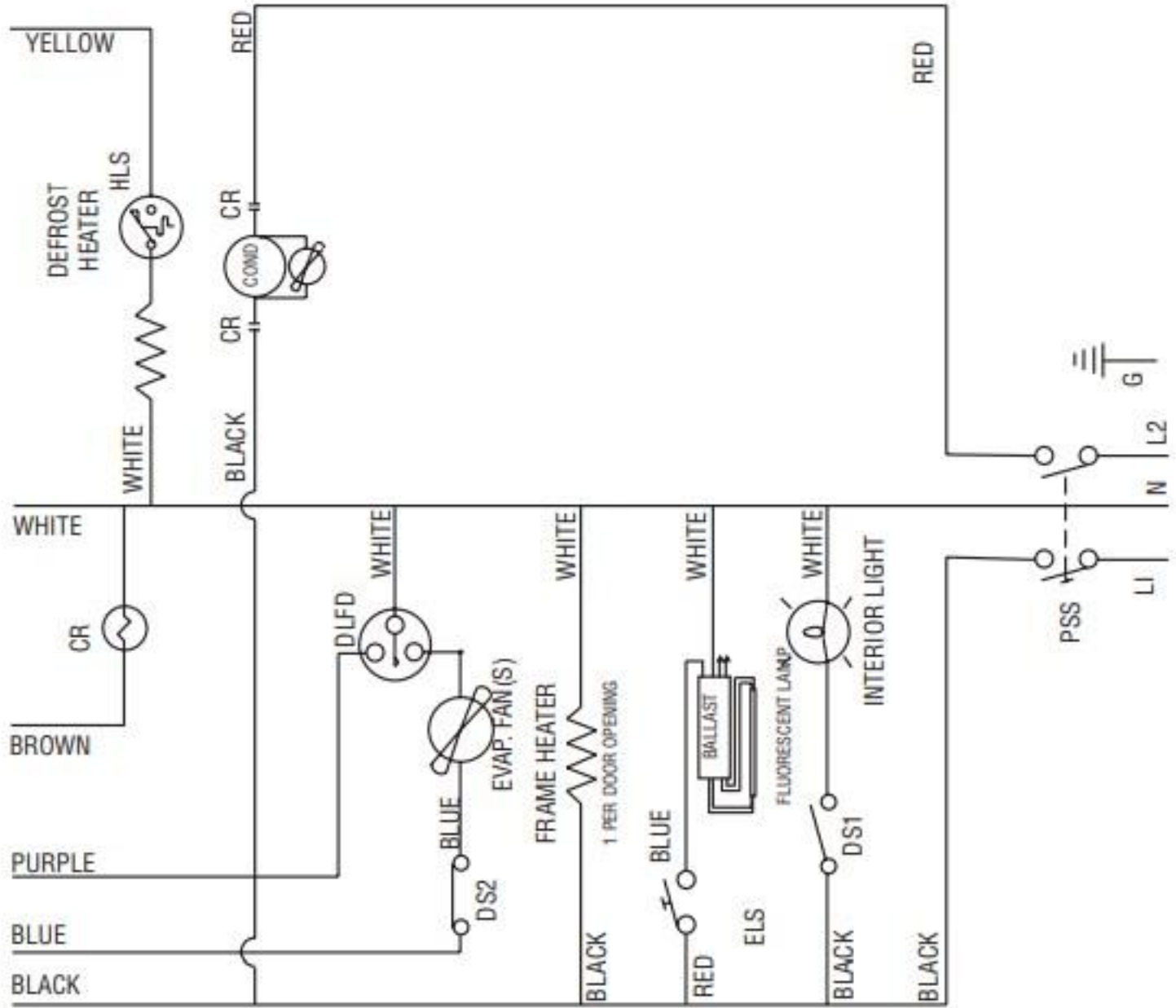
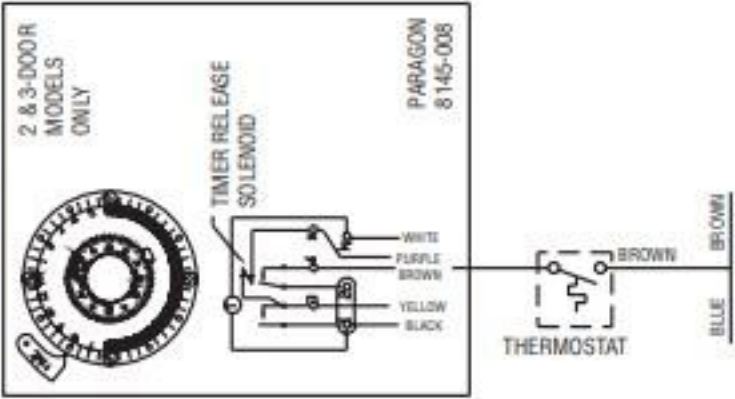


- PSS POWER SUPPLY SWITCH
- SOL SOLENOID VALVE
- HLS HIGH LIMIT SAFETY
- COND CONDENSING UNIT
- ELS EXTERNAL LIGHT SWITCH
- DS DOOR SWITCH
- DLFD DEFROST LIMIT FAN DELAY

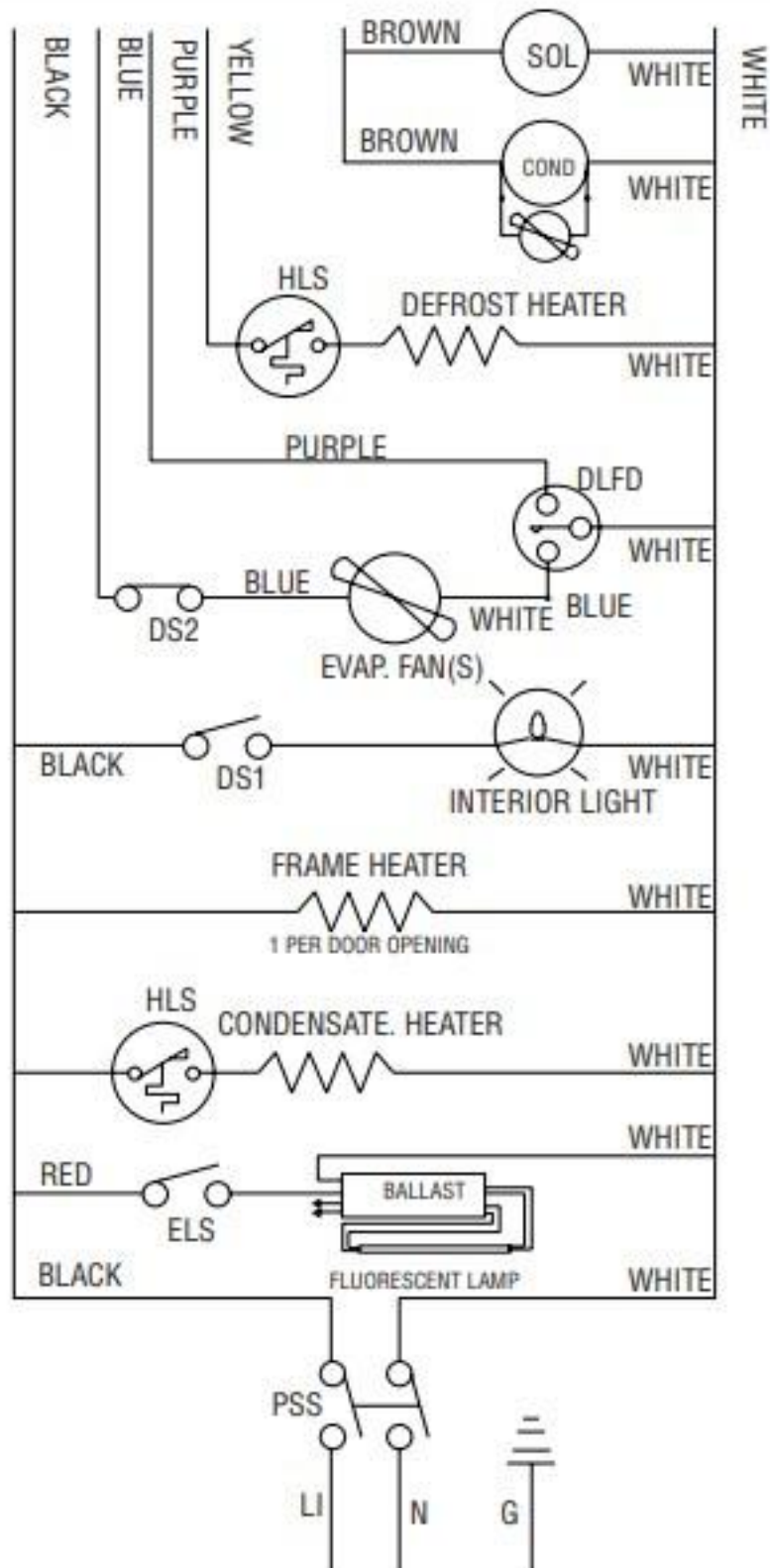
ELECTRONIC CONTROLS



MECHANICAL CONTROLS



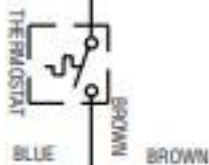
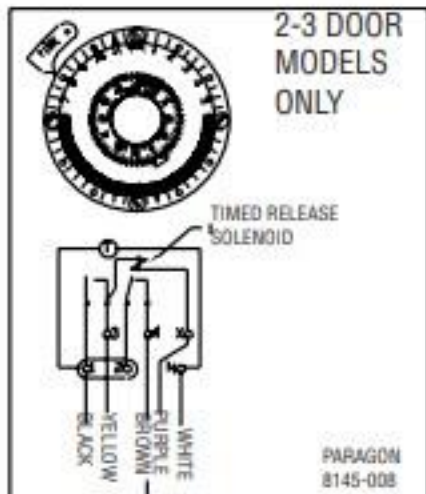
- CR** COMPRESSOR RELAY
- PSS** POWER SUPPLY SWITCH
- HLS** HIGH LIMIT SAFETY
- COND** CONDENSING UNIT
- ELS** EXTERNAL LIGHT SWITCH
- LPC** LOW PRESSURE CONTROL
- DS** DOOR SWITCH
- DLFD** DEFROST LIMIT FAN DELAY



- PSS** POWER SUPPLY SWITCH
- SOL** SOLENOID VALVE
- HLS** HIGH LIMIT SAFETY
- COND** CONDENSING UNIT
- ELS** EXTERNAL LIGHT SWITCH
- DS** DOOR SWITCH
- DLFD** DEFROST LIMIT FAN DELAY

NOTE: Display lights are on "G" models only. Solenoid valve and condensate heaters are on remote models only. Power cord may or may not be provided. Power switch used with electronic controls only.

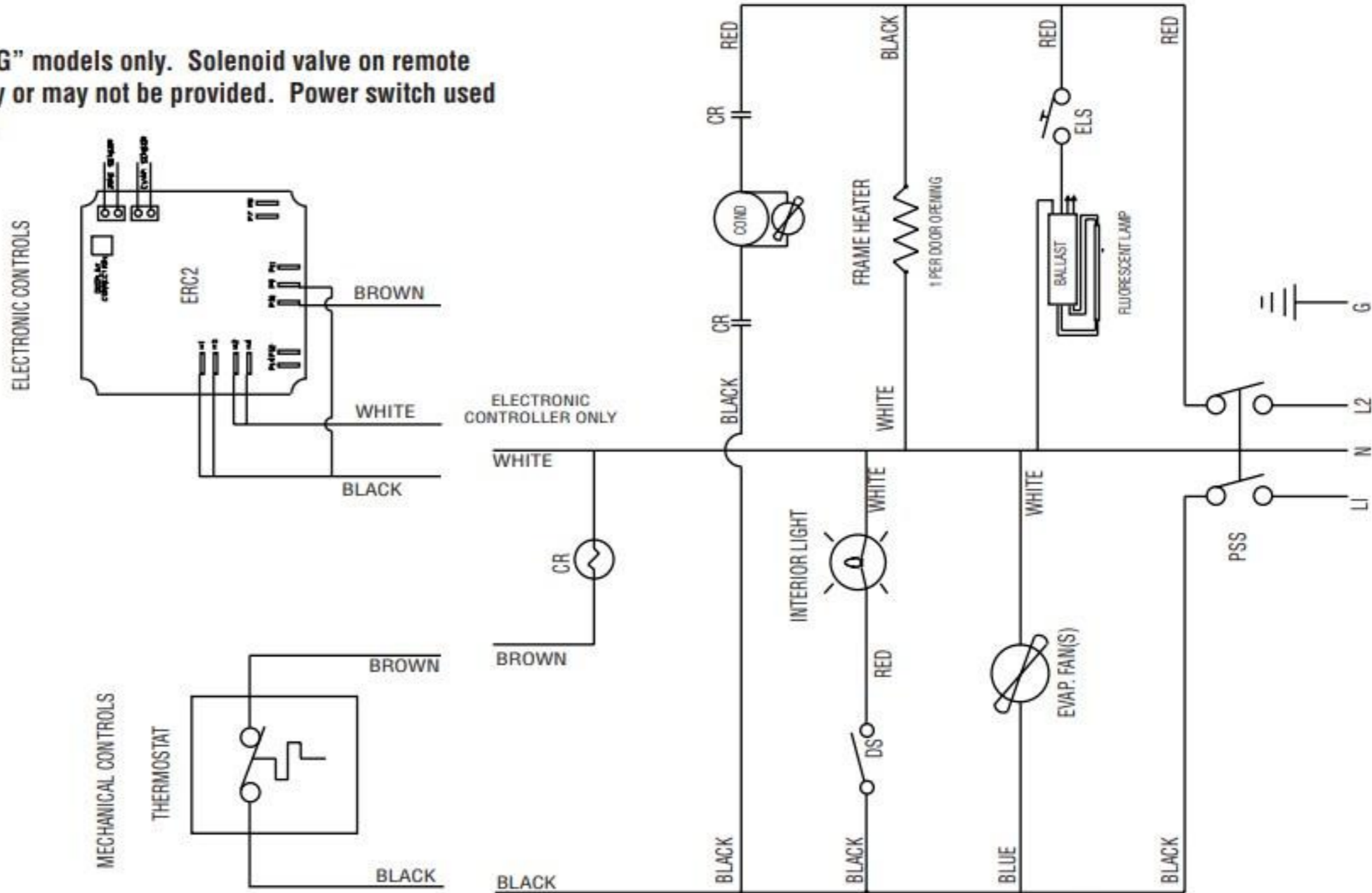
MECHANICAL CONTROLS



WIRING DIAGRAM MERIDIAN REFRIGERATORS 115/208-230v

- CR COMPRESSOR RELAY
- PSS POWER SUPPLY SWITCH
- COND CONDENSING UNIT
- ELS EXTERNAL LIGHT SWITCH
- DS DOOR SWITCH

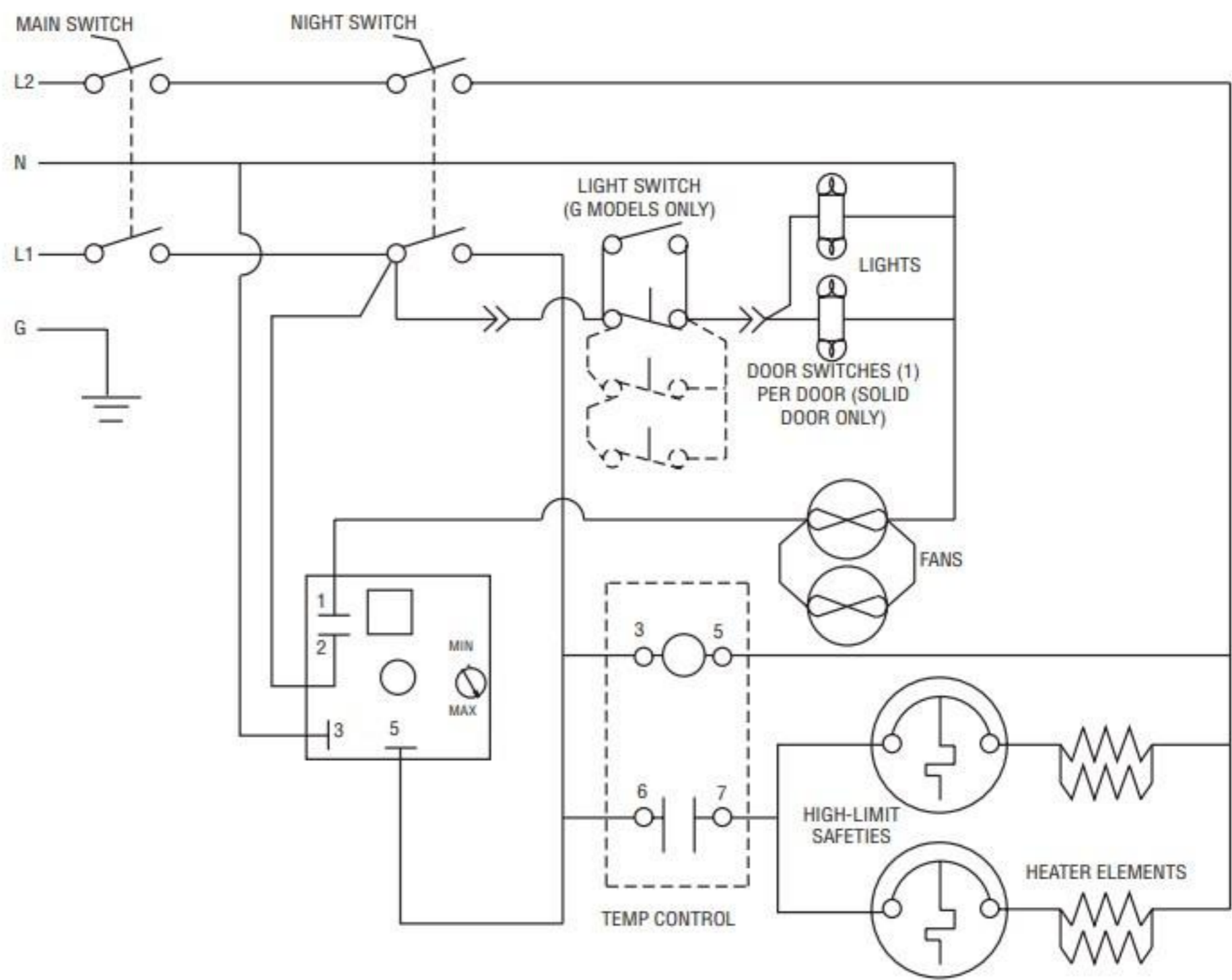
NOTE: Display lights are on "G" models only. Solenoid valve on remote models only. Power cord may or may not be provided. Power switch used with electronic controls only.



WIRING DIAGRAM MERIDIAN HEATED MODELS 120/208-240v

**WIRING DIAGRAM MERIDIAN
HEATED MODELS
120/208-240v**

Three door models only



WIRING DIAGRAM MERIDIAN HEATED MODELS 120/208-240v

WIRING DIAGRAM MERIDIAN HEATED MODELS 120/208-240v

One and two door models only

