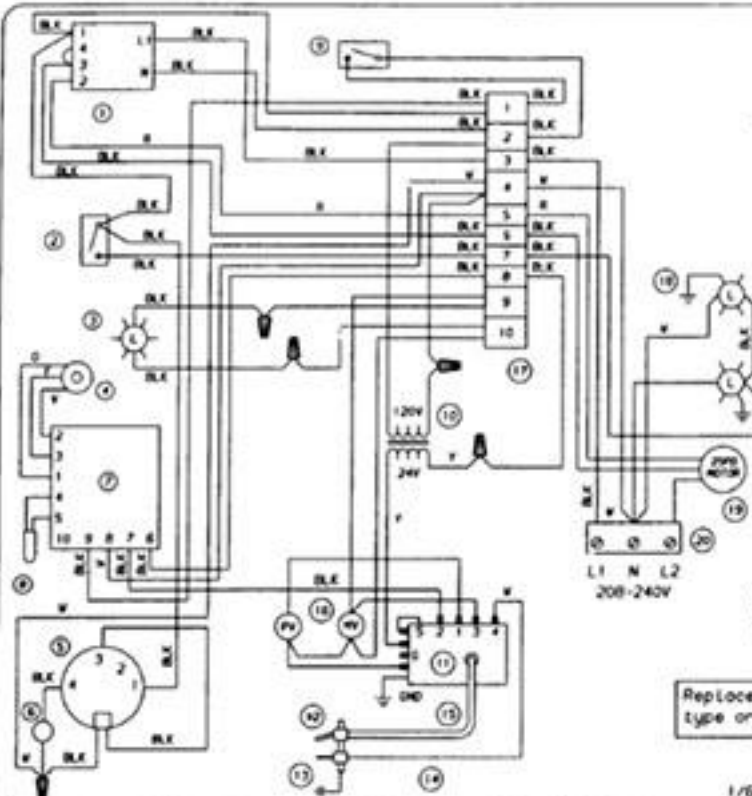


WIRE DIAGRAM
VECTAIRE HXA STANDARD
120V/208-240V/60Mhz/1PH

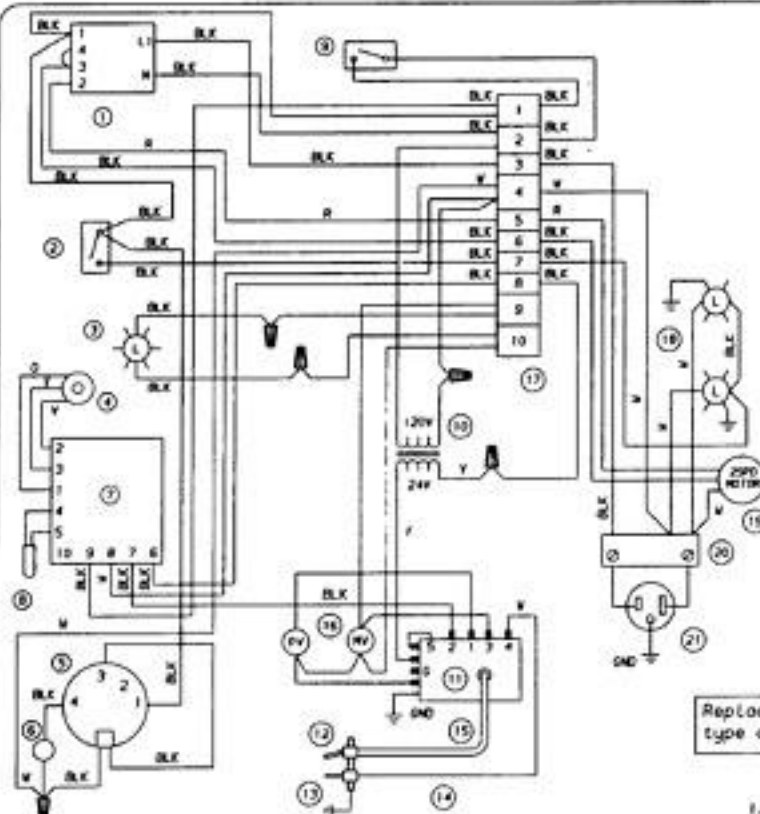


ITEM	DESCRIPTION
1	FAN SWITCH
2	LIGHT SWITCH
3	BURNER INDICATOR LIGHT - 28V
4	TEMPERATURE SET POTENTIOMETER
5	TIMER - 120V
6	TIMER ALARM BUZZER
7	SOLID STATE TEMP CONTROLLER
8	SENSOR PROBE
9	DOOR SWITCH
10	TRANSFORMER 120/208/240VAC
11	IGNITION CONTROLLER
12	SPARK ELECTRODE
13	SENSING PROBE
14	PROBE LEAD
15	HI VOLTAGE CABLE
16	SOLENOID VALVE
17	TERMINAL STRIP
18	OVEN LIGHTS - 120V/40W
19	MOTOR - 2SPD 120V
20	POWER TERMINAL BLOCK

WIRE-TYPE SFF-2, SIZE 18GA
INSULATION THICKNESS - 2/64"
TEMP RATING, 150°C

Replacement wires must be of same
type or equivalent as original.

WIRE DIAGRAM
VECTAIRE HXA STANDARD
120V, 60HZ, 1PH



ITEM	DESCRIPTION
1	FAW SWITCH
2	LIGHT SWITCH
3	BURNER INDICATOR LIGHT - 28V
4	TEMPERATURE SET POTENTIOMETER
5	TIMER - 120V
6	TIMER ALARM BUZZER
7	SOLID STATE TEMP CONTROLLER
8	SENSOR PROBE (OVEN)
9	DOOR SWITCH
10	TRANSFORMER 120/208/240VAC
11	IGNITION CONTROLLER
12	SPARK ELECTRODE
13	SENSING PROBE (PILOT)
14	PROBE LEAD
15	HI VOLTAGE CABLE
16	SOLENOID VALVE
17	TERMINAL STRIP
18	OVEN LIGHTS - 120V/40W
19	MOTOR - 2SPD 120V
20	POWER TERMINAL BLOCK
21	POWER CORD

WIRE-TYPE SFF-2, SIZE 18GA
INSULATION THICKNESS - 2/64"
TEMP RATING, 150°C

Replacement wires must be of same
type or equivalent as original.

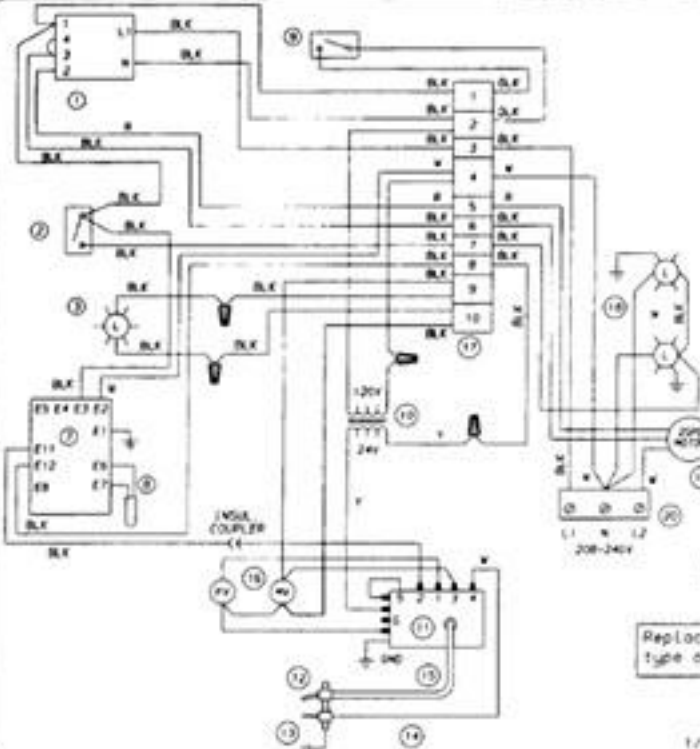
WIRE DIAGRAM
VECTAIRE HEAVY C-N-H
120V/208-240V/60HZ/1PH

ITEM DESCRIPTION

- | ITEM | DESCRIPTION |
|------|------------------------------|
| 1 | FAN SWITCH |
| 2 | LIGHT SWITCH |
| 3 | BURNER INDICATOR LIGHT - 20V |
| 4 | OPEN NUMBER |
| 5 | OPEN NUMBER |
| 6 | OPEN NUMBER |
| 7 | SOLID STATE TEMP CONTROLLER |
| 8 | SENSOR PROBE |
| 9 | DOOR SWITCH |
| 10 | TRANSFORMER 120/208-240VAC |
| 11 | IGNITION CONTROLLER |
| 12 | SPARK ELECTRODE |
| 13 | SENSING PROBE |
| 14 | PROBE LEAD |
| 15 | HI VOLTAGE CABLE |
| 16 | SOLENOID VALVE |
| 17 | TERMINAL STRIP |
| 18 | OVEN LIGHTS - 120V/40W |
| 19 | MOTOR - 2SPD 230V |
| 20 | POWER TERMINAL BLOCK |

WIRE-TYPE SFF-2, SIZE 1804
INSULATION THICKNESS - 2/64"
TEMP RATING, 130°C

Replacement wires must be of same
type or equivalent as original



WIRE DIAGRAM
VECTAIRE HXAH C-N-H
120V, 60HZ, 1PH

ITEM	DESCRIPTION
1	FAN SWITCH
2	LIGHT SWITCH
3	BURNER INDICATOR LIGHT - 20V
4	OPEN NUMBER
5	OPEN NUMBER
6	OPEN NUMBER
7	SOLID STATE TEMP CONTROLLER
8	SENSOR PROBE
9	DOOR SWITCH
10	TRANSFORMER 120/208/240VAC
11	IGNITION CONTROLLER
12	SPARK ELECTRODE
13	SENSING PROBE
14	PROBE LEAD
15	HI VOLTAGE CABLE
16	SOLENOID VALVE
17	TERMINAL STRIP
18	OVEN LIGHTS - 120V/40W
19	MOTOR - 2SPD 120V
20	POWER TERMINAL BLOCK
21	POWER CORD

WIRE-TYPE SFF-2, SIZE 18GA
INSULATION THICKNESS - 2/64"
TEMP RATING, 150°C

Replacement wires must be of same
type or equivalent as original.

