

SERVICE PARTS LIST FOR MITSUBISHI ELECTRIC PACKAGED AIR-CONDITIONERS

Series : PVA-A•AA4

For use with the R410A

REVISED

Oct. 2015

BWE01433C

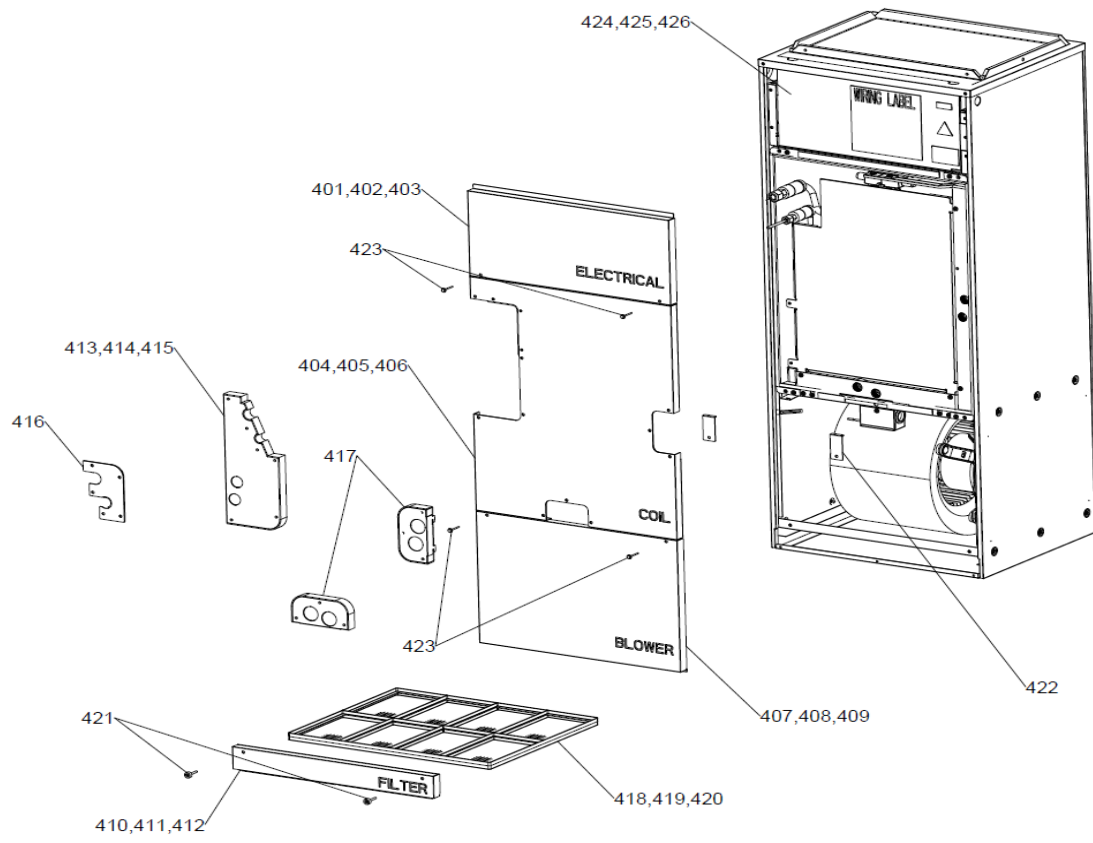
INDEX
PVA-A30AA4
PVA-A36AA4
PVA-A42AA4

Part information update day : 2015/09/30

Please change the old catalog (issued May 2015, No.BWE01433B) to this new catalog.

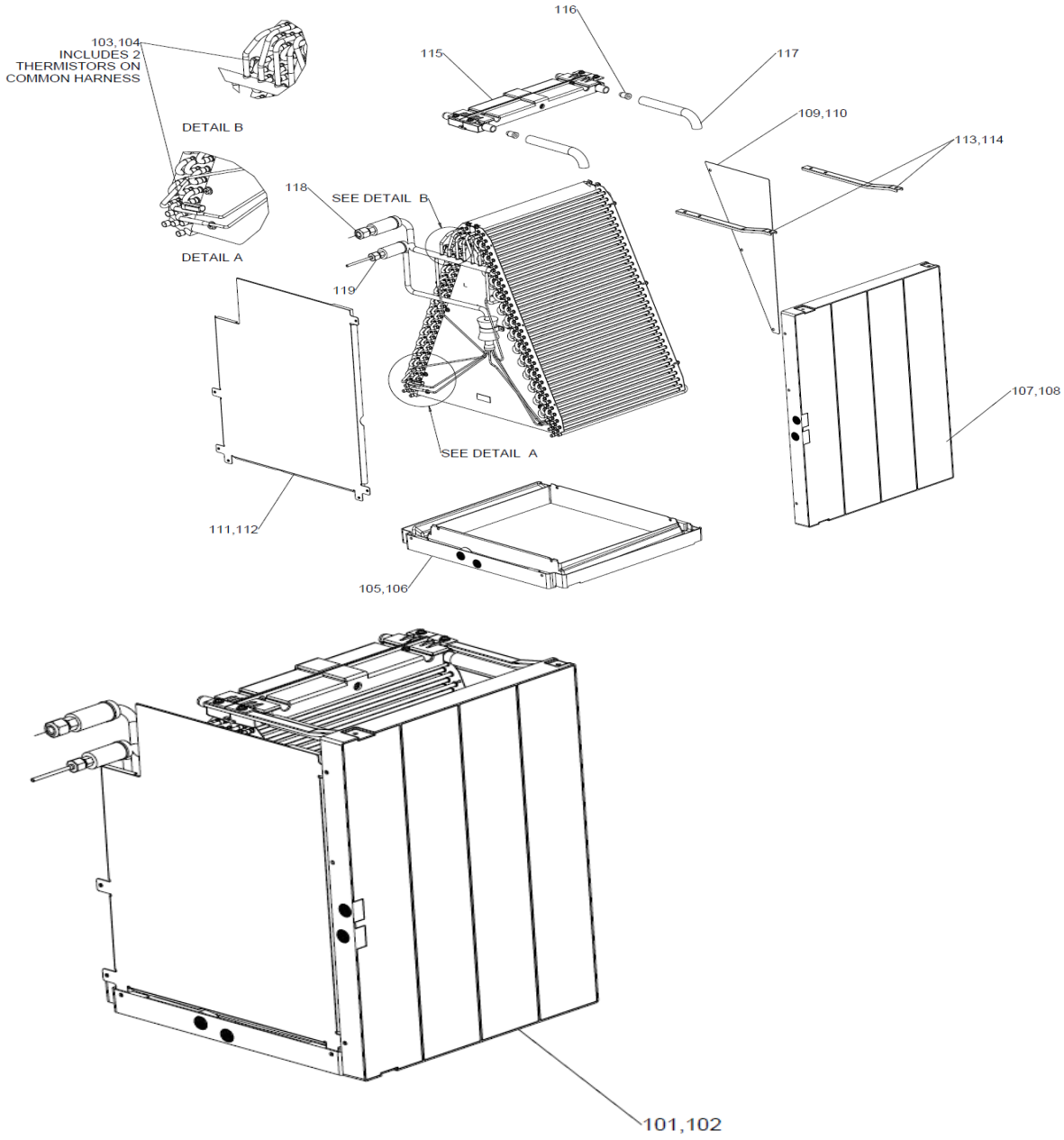
Content of revision : Some of parts are changed.





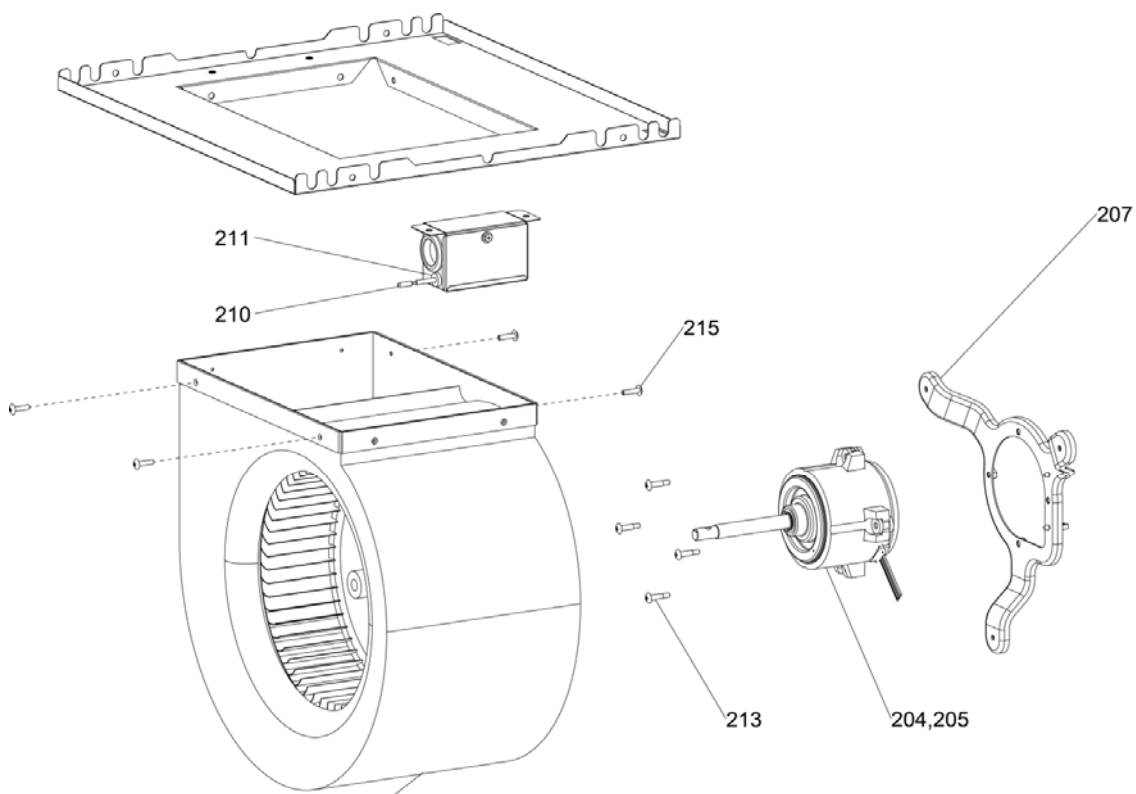
External Parts

No.	Part No.	Part Name	Spec.	PVA-A30	PVA-A36	PVA-A42	Dwg. No.	Notes for models	Revision info.
401		FRONT PANEL ELECTRICAL S					PA00C246G01		
402	U41 002 638	FRONT PANEL ELECTRICAL M		1			PA00C246G02		
403	U41 003 638	FRONT PANEL ELECTRICAL L			1	1	PA00C246G03		
404		FRONT PANEL HEX S					PA00B097G01		
405	U41 002 639	FRONT PANEL HEX M		1			PA00B097G02		
406	U41 003 639	FRONT PANEL HEX L			1	1	PA00B097G03		
407		FRONT PANEL BLOWER S					PA00C247G01		
408	U41 002 637	FRONT PANEL BLOWER M		1			PA00C247G02		
409	U41 003 637	FRONT PANEL BLOWER L			1	1	PA00C247G03		
410		FRONT PANEL FILTER S					PA00C251G01		
411	U41 002 636	FRONT PANEL FILTER M		1			PA00C251G02		
412	U41 003 636	FRONT PANEL FILTER L			1	1	PA00C251G03		
413		PIPE/DRAIN PANEL S					PA00C236G01		
414	U41 002 635	PIPE/DRAIN PANEL M		1			PA00C236G02		
415	U41 003 635	PIPE/DRAIN PANEL L			1	1	PA00C236G03		
416	U41 004 635	PIPE PANEL		1	1	1	PA00D164G01		
417	U41 005 635	DRAIN PANEL		2	2	2	PA00D162G01		
418		FILTER-PLASTIC S					PA35B051G01	16X20	
419	U41 005 500	FILTER-PLASTIC M		1			PA35B052G01	20X20	
420	U41 006 500	FILTER-PLASTIC L			1	1	PA35B053G01	24X20	
421	U41 001 087	PLASTIC THUMBSCREW		2	2	2	PA12D179H01	M5X35	
422	U41 001 086	COIL BRACKET		2	2	2	PA00D163G01		
423	U41 002 087	SCREW M5X40		4	4	4	PA12D177H01		
424		COVER CONTROL BOX S					PA02C150H01		
425	U41 002 812	COVER CONTROL BOX M		1			PA02C141H01		
426	U41 003 812	COVER CONTROL BOX L			1	1	PA02C132H01		

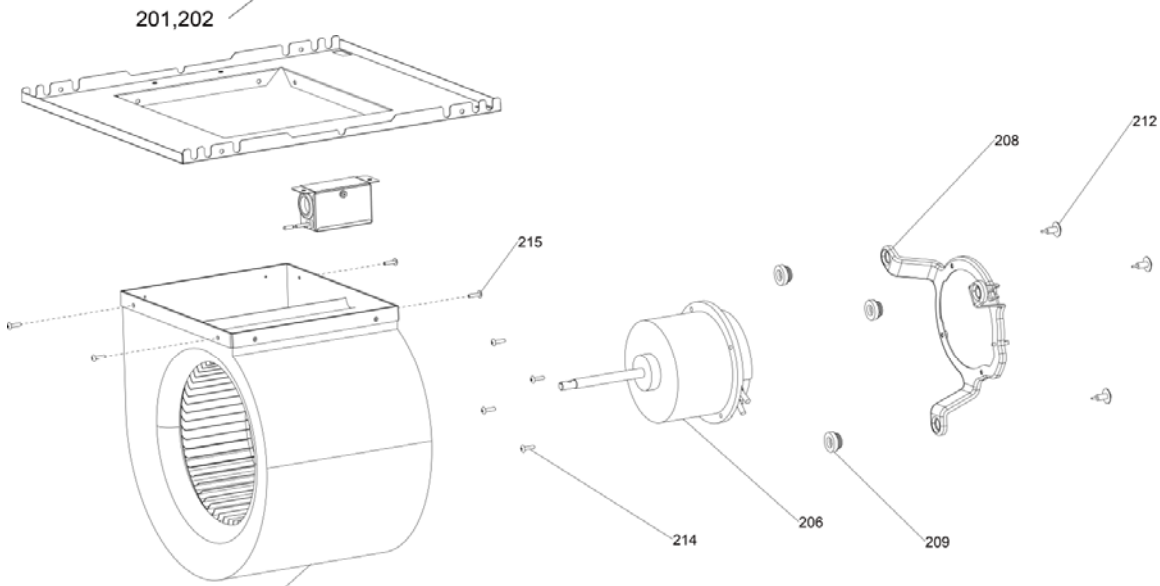


Hex Assembly Parts

No.	Part No.	Part Name	Spec.	PVA-A30	PVA-A36	PVA-A42	Dwg. No.	Notes for models	Revision info.
101	U41 016 480	HEAT EXCHANGER A30		1			PA00B101B01	Includes all hex parts	
102	U41 017 480	HEAT EXCHANGER A42			1	1	PA00B102B01	Includes all hex parts	
103	U41 004 200	THERMISTOR		1			KB71B945H06		
104	U41 005 200	THERMISTOR			1	1	KB71B945H07		
105	U41 007 529	DRAIN PAN ASSY LOWER M		1			PA00B098G02		
106	U41 008 529	DRAIN PAN ASSY LOWER L			1	1	PA00B098G03		
107	U41 010 529	DRAIN PAN ASSY SIDE M		1			PA00C248G02		
108	U41 011 529	DRAIN PAN ASSY SIDE L			1	1	PA00C248G03		
109	U41 002 668	PLATE GUIDE REAR M		1			PA00D171G02		
110	U41 003 668	PLATE GUIDE REAR L			1	1	PA00D171G03		
111	U41 005 668	PLATE GUIDE FRONT M		1			PA00C242G02		
112	U41 006 668	PLATE GUIDE FRONT L			1	1	PA00C242G03		
113	U41 002 662	SIDE PAN BRACKET M		2			PA02C078H01		
114	U41 003 662	SIDE PAN BRACKET L			2	2	PA02C079H01		
115	U41 012 529	DRAIN PAN ASSY TOP		2	2	2	PA00C279G01		
116	U41 002 558	PLUG-TOP DRAIN PAN		4	4	4	C126C778H17		
117	U41 001 525	HOSE-TOP DRAIN PAN		2	2	2	PA27D214H02		
118	U41 001 122	NUT FLARE 5/8		1	1	1	BG12S826H03		
119	U41 002 122	NUT FLARE 3/8		1	1	1	Z211A143H06		



PVA-A30



PVA-A36 and 42

Blower Parts

No.	Part No.	Part Name	Spec.	PVA-A30	PVA-A36	PVA-A42	Dwg. No.	Notes for models	Revision info.
201		FAN CASE S					PA00C499G01	INCLUDES NO.215	
202	U41 009 129	FAN CASE M		1			PA00C499G02	INCLUDES NO.215	
203	U41 010 129	FAN CASE L			1	1	PA00C499G03	INCLUDES NO.215	
204		BLOWER MOTOR S					PA61B071H02		
205	U41 004 128	BLOWER MOTOR M		1			PA61B072H02		
206	U41 005 128	BLOWER MOTOR L			1	1	PA61B073H03		
207	U41 001 130	MOTOR BRACKET S M		1			PA00D167G02		
208	U41 002 130	MOTOR BRACKET L			1	1	PA00D168G01		
209	U41 103 104	RUBBER GROMMET			3	3	PA32D195H01		
210	U41 001 287	THERMISTOR RETURN AIR		1	1	1	PA71C160H01		
211	U41 002 104	BUSHING SRB-R-2		1	1	1	KB32K138H01		
212	U41 003 087	SCREW SPECIAL			3	3	PA12D193H01		
213	U41 005 087	BOLT MOTOR (S, M)		4			PA12D178H01		
214	U41 006 087	BOLT MOTOR (L)			4	4	PA12D194H01		
215	U41 007 087	SCRWE M5X20		4	4	4	PA12D247H01		



Control Box Parts

No.	Part No.	Part Name	Spec.	PVA-A30	PVA-A36	PVA-A42	Dwg. No.	Notes for models	Revision info.
301	U41 008 280	PCA ASSY PVA/MVZ		1	1	1	PA95D226G02	INCLUDES NO.306	
302	U41 006 280	PCA BOARD POWER		1			KE95B740F05		Chg.
303	U41 006 281	PCA BOARD POWER			1	1	KE95B740F06		
304	U41 004 246	TERMINAL BLOCK ASSY		1	1	1	BH00C267G02		
305	U41 003 246	TERMINAL BLOCK		1	1	1	BG00R200G62		
306	U41 001 G08	JUMPER CONNECTOR		1	1	1	BB00M192G08	CN4F	

mitsubishi electric corporation

BWE01433C (20151031)