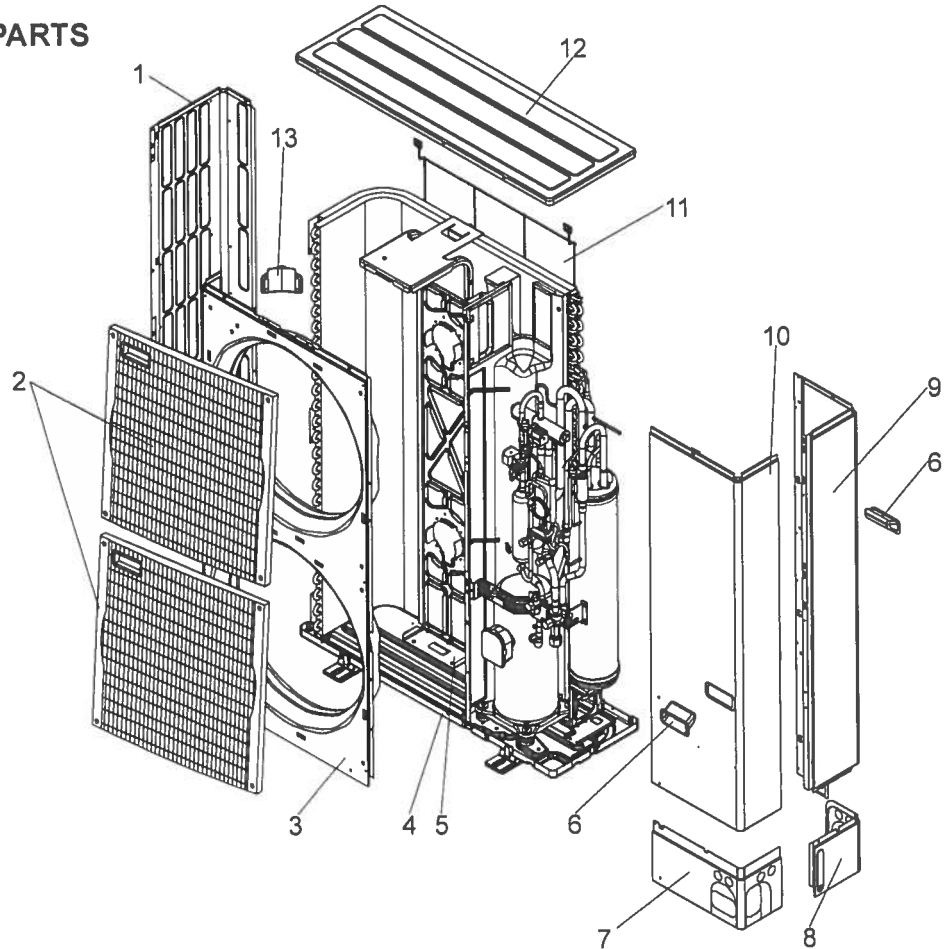


13

PARTS LIST

13-1. STRUCTURAL PARTS

PUMY-P48NHMU
 PUMY-P48NHMU-BS
 PUMY-P48NHMU_i
 PUMY-P48NHMU_i-BS

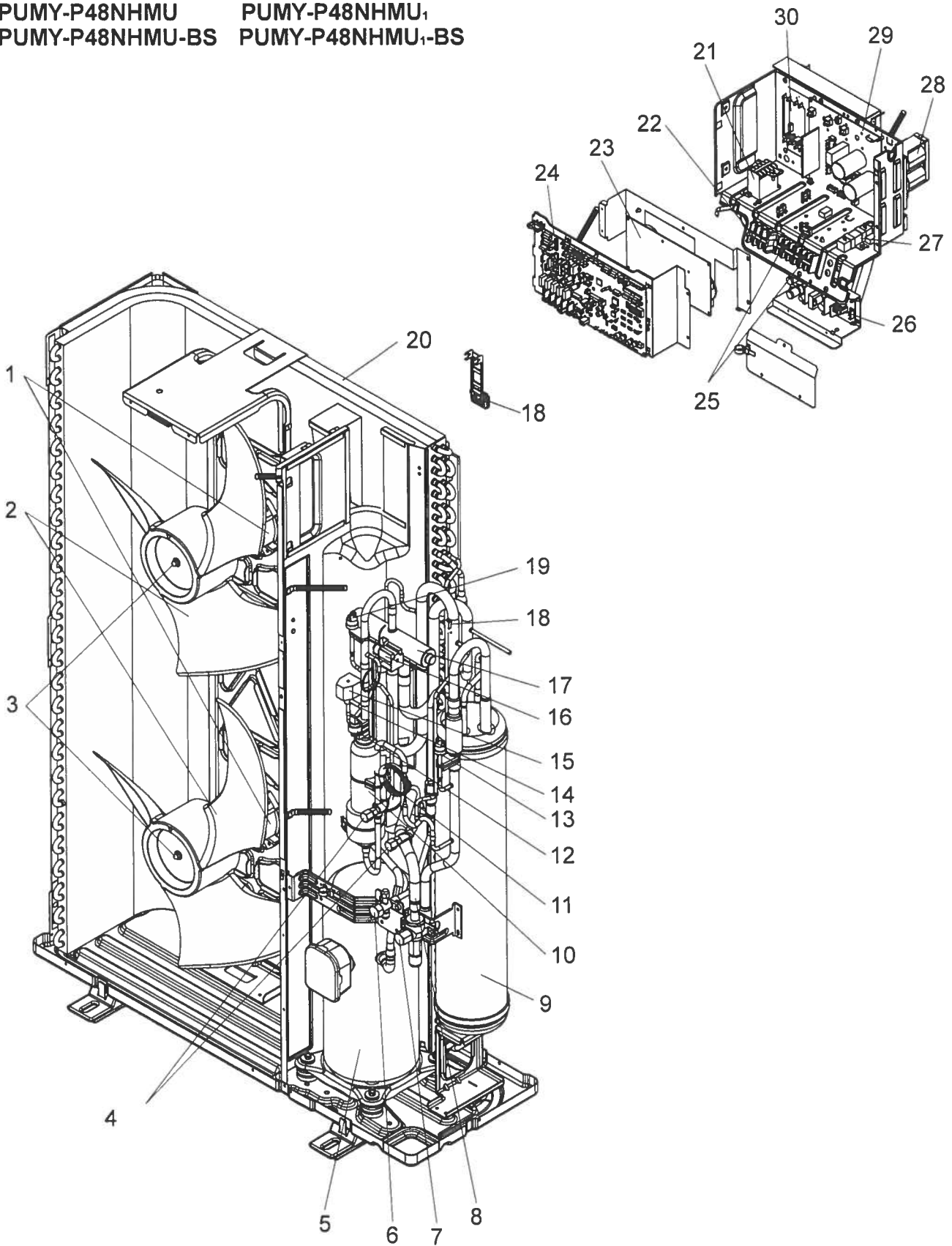


* Parts of PUMY-P48NHMU are set as the same service parts as PUMY-P48NHMU-BS.

No.	Part No.	Part Name	Specification	Q'ty/set		Remarks (Drawing No.)	Wiring Diagram Symbol	Recom- mended Q'ty
				PUMY-P48 NHMU(-BS)	PUMY-P48 NHMU _i (-BS)			
1	R01 E04 662	SIDE PANEL (L)		1	1			
2	T7W E02 691	FAN GRILLE		2	2			
3	T7W E04 667	FRONT PANEL		1	1			
4	R01 E18 686	BASE ASSY		1				
	R01 E26 686	BASE ASSY			1			
5	R01 E19 130	MOTOR SUPPORT		1	1			
6	R01 30L 655	HANDLE		2	2			
7	T7W E01 658	COVER PANEL (FRONT)		1		Including CONDUIT PLATE		
	R01 E14 658	COVER PANEL (FRONT)			1	Including CONDUIT PLATE		
8	T7W E00 658	COVER PANEL (REAR)		1		Including CONDUIT PLATE		
	R01 E05 658	COVER PANEL (REAR)			1	Including CONDUIT PLATE		
9	T7W E16 661	SIDE PANEL (R)		1	1			
10	T7W E06 668	SERVICE PANEL		1	1			
11	R01 E01 698	REAR GUARD		1	1			
12	R01 E06 641	TOP PANEL		1	1			
13	R01 E00 655	HANDLE		1	1			

13-2. FUNCTIONAL PARTS

PUMY-P48NHMU PUMY-P48NHMU₁
PUMY-P48NHMU-BS PUMY-P48NHMU₁-BS



Part numbers that are circled are not shown in the figure.

No.	Part No.	Part Name	Specification	Q'ty/set	Remarks (Drawing No.)	Wiring Diagram Symbol	Recom- mended Q'ty
				PUMY-P48NHMU ₍₁₎ PUMY-P48NHMU ₍₁₎ -BS			
1	R01 E44 221	FAN MOTOR		2		MF 1,2	
2	R01 E01 115	PROPELLER FAN		2			
3	R01 E02 097	NUT		2			
4	T7W E07 413	CHARGE PLUG		2			
5	T97 410 742	COMPRESSOR	ANB33FDCMT including RUBBER MOUNT	1		MC	
6	T7W E04 410	STOP VALVE	3/8	1			
7	T7W E06 411	BALL VALVE	5/8	1			
8	R01 E03 450	STRAINER		1			
9	R01 E35 440	ACCUMULATOR		1			
10	T7W E02 490	OIL SEPARATOR		1			
11	R01 E22 425	CAPILLARY TUBE		1	$\phi 2.5 \times \phi 0.8 \times 1000 \text{mm}$ [$\phi (3/32) \times \phi (1/32) \times L (38-1/2)$]inch		
12	T7W E04 208	H.P SENSOR		1		63HS	
13	R01 25T 209	LOW PRESSURE SWITCH		1		63L	
14	T7W E03 428	BYPASS VALVE		1			
15	T7W E17 242	SOLENOID COIL <BYPASS VALVE>		1		SV1	
16	T7W E18 242	SOLENOID COIL <4-WAY VALVE>		1		21S4	
17	T7W E05 403	4-WAY VALVE		1			
18	R01 E75 202	THERMISTOR		1		TH6,7	
19	T7W E05 208	HIGH PRESSURE SWITCH		1		63H	
20	T7W E29 408	HEAT EXCHANGER		1			
21	T7W E02 259	CONTACTOR		1		52C	
22	T7W 850 716	TERMINAL BLOCK	3P (L1, L2, GR)	1		TB1	
23	T7W E14 346	NOISE FILTER CIRCUIT BOARD		1		N.F.	
24	R01 H76 310	MULTI CONTROLLER CIRCUIT BOARD		1		MULTI.B.	
25	T7W E17 716	TERMINAL BLOCK	3P (M1, M2, S)	2		TB3, TB7	
26	R01 E01 311	TRANSMISSION POWER BOARD		1		M-P.B.	
27	T7W E01 234	RESISTOR		1		RS	
28	T7W E09 259	REACTOR		1		DCL	
29	T7W E26 313	POWER CIRCUIT BOARD		1		P.B.	
30	T7W E01 233	ACT MODULE		1		ACTM	
31	T7W E09 254	MAIN SMOOTHING CAPACITOR		1		CB	
32	R01 E66 202	THERMISTOR (OUTDOOR PIPE)		1		TH3	
33	R01 E00 201	THERMISTOR (DISCHARGE)		1		TH4	
34	R01 E65 202	THERMISTOR (HEATSINK)		1		TH8	