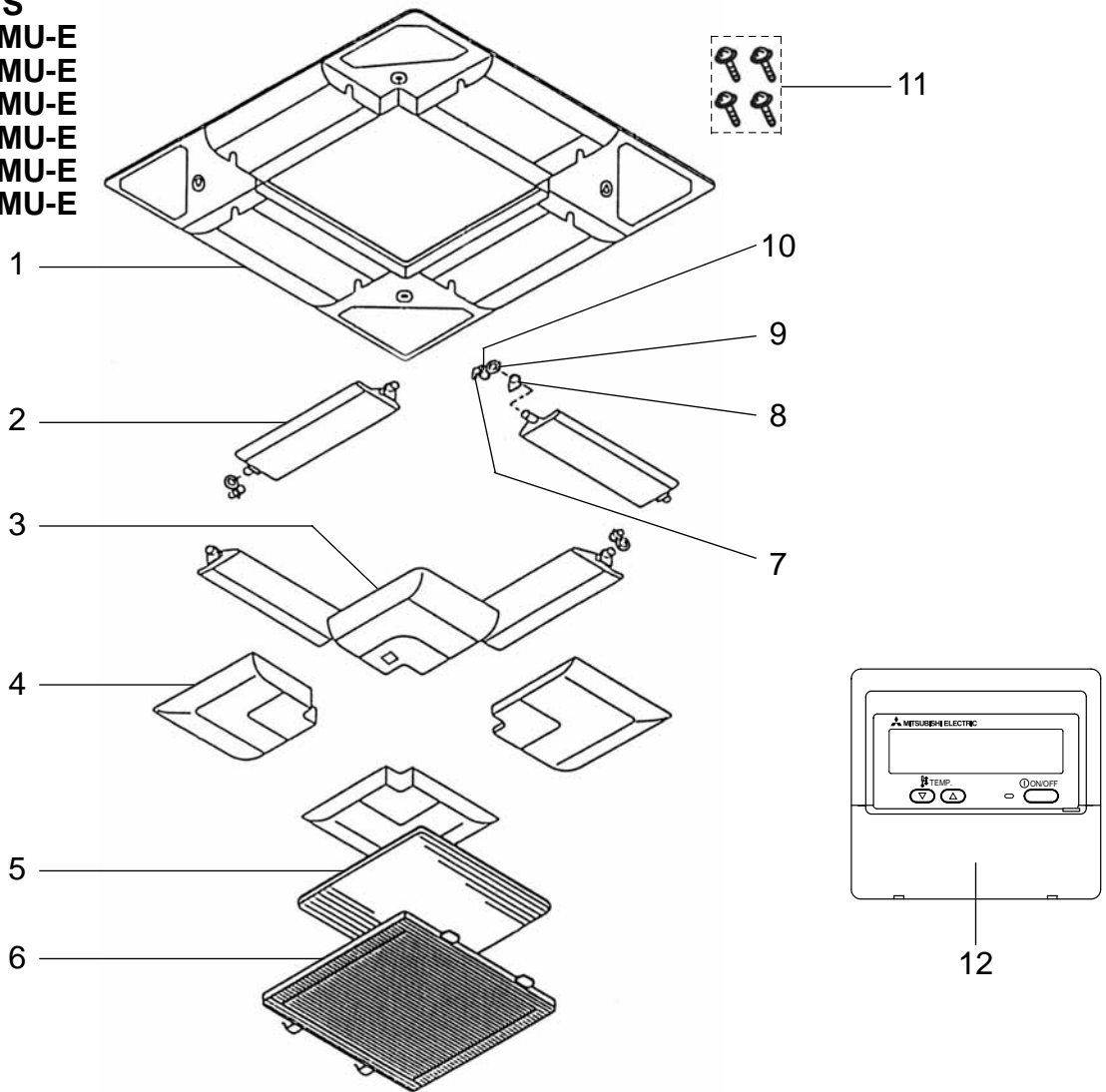


PANEL PARTS
 PLFY-P12NAMU-E
 PLFY-P15NAMU-E
 PLFY-P18NAMU-E
 PLFY-P24NAMU-E
 PLFY-P30NAMU-E
 PLFY-P36NAMU-E

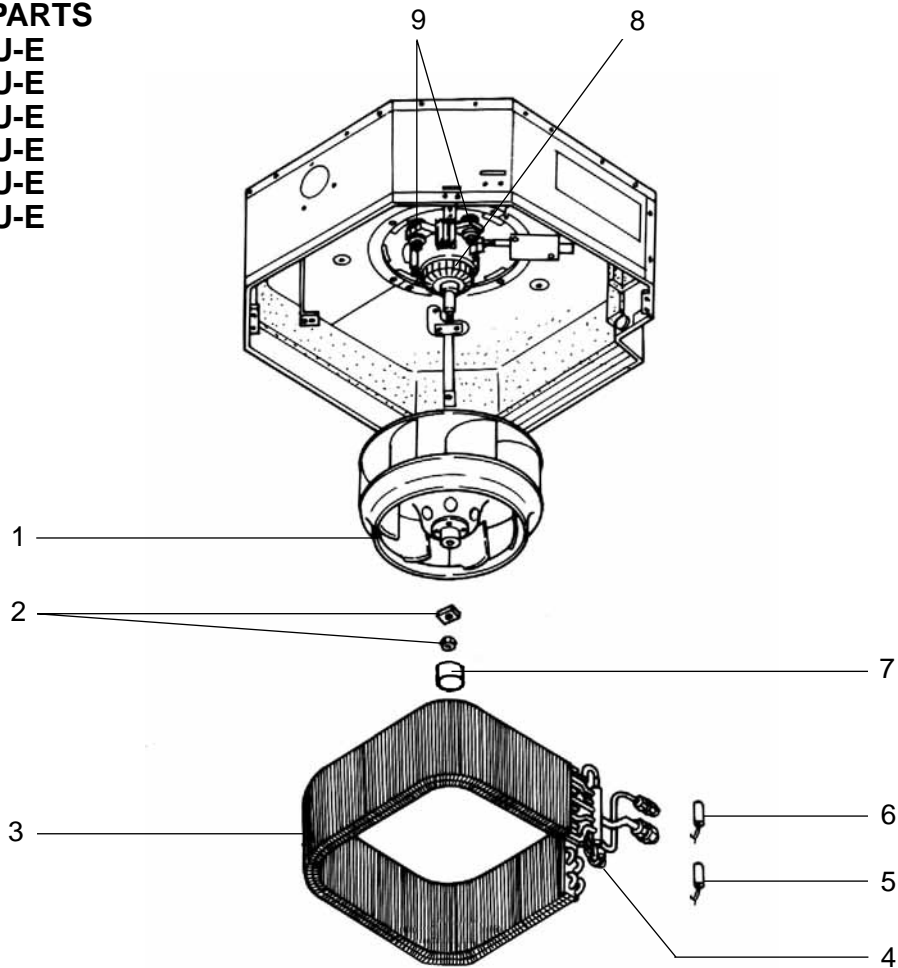


No.	Part No.	Part Name	Specification	Q'ty/set					Remarks (Drawing No.)	Wiring Diagram Symbol	Recom- mended Q'ty	Price	
				12/	15/	18/	24/	30/				36/	Unit
				PLFY-P									
				NAMU-E									
1	T7W E12 003	AIR OUTLET GRILLE	PLP-40AAU										
2	T7W E05 002	GUIDE VANE											
3	T7W E01 638	CORNER PANEL											
4	R01 E03 638	CORNER PANEL											
5	R01 E00 500	L.L.FILTER											
6	R01 E00 691	GRILLE ASSY											
7	R01 E00 223	STEPPING MOTOR							MV				
8	R01 E00 063	VANE BUSH											
9	R01 E00 040	GEAR (VANE)											
10	R01 E01 040	GEAR (MOTOR)											
11	T7W E00 673	SCREW ASSY											
12	—	REMOTE CONTROLLER	PAR-21MAA							R.B			

This REMOTE CONTROLLER is made by AIR-CONDITIONING & REFRIGERATION SYSTEMS WORKS, MITSUBISHI ELECTRIC CORPORATION.

FUNCTIONAL PARTS

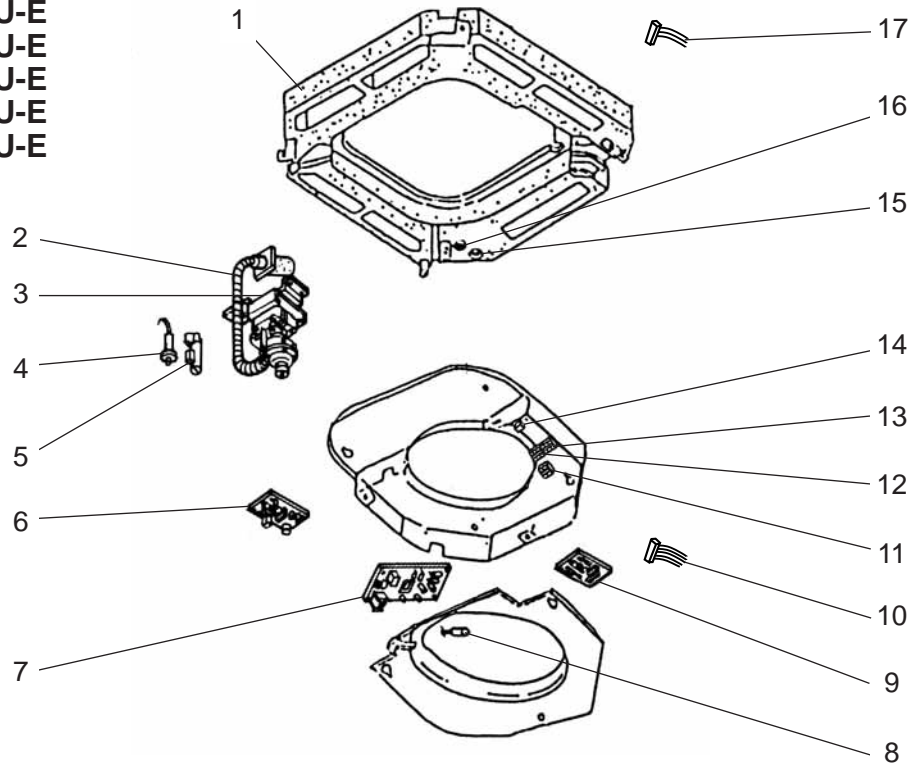
PLFY-P12NAMU-E
 PLY-P15NAMU-E
 PLY-P18NAMU-E
 PLY-P24NAMU-E
 PLY-P30NAMU-E
 PLY-P36NAMU-E



No.	Part No.	Part Name	Specification	Q'ty/set						Remarks (Drawing No.)	Wiring Diagram Symbol	Recom- mended Q'ty	Price	
				PLFY-P - NAMU-E									Unit	Amount
				12	15	18	24	30	36					
1	R01 E10 114	TURBO FAN		1	1	1	1							
	R01 E11 114	TURBO FAN						1	1					
2	R01 08K 097	SPL WASHER		1	1	1	1	1	1					
3	T7W K16 480	HEAT EXCHANGER		1										
	T7W K17 480	HEAT EXCHANGER			1									
	T7W K18 480	HEAT EXCHANGER				1								
	T7W K19 480	HEAT EXCHANGER					1							
	T7W K20 480	HEAT EXCHANGER						1	1					
4	R01 E56 401	LINEAR EXPANSION VALVE		1	1	1	1			LEV				
	R01 E57 401	LINEAR EXPANSION VALVE						1	1	LEV				
5	T7W E06 202	PIPE TEMPERATURE THERMISTOR	GAS	1	1	1	1	1	1	TH23				
6	R01 E00 202	PIPE TEMPERATURE THERMISTOR	LIQUID	1	1	1	1	1	1	TH22				
7	R01 E00 122	MOTOR CAP		1	1	1	1	1	1					
8	T7W E12 762	FAN MOTOR	(D17D6P70MS)	1	1	1	1			MF				
	T7W E08 762	FAN MOTOR	(D176P110MS)					1	1	MF				
9	R01 A41 105	RUBBER MOUNT		4	4	4	4	4	4					

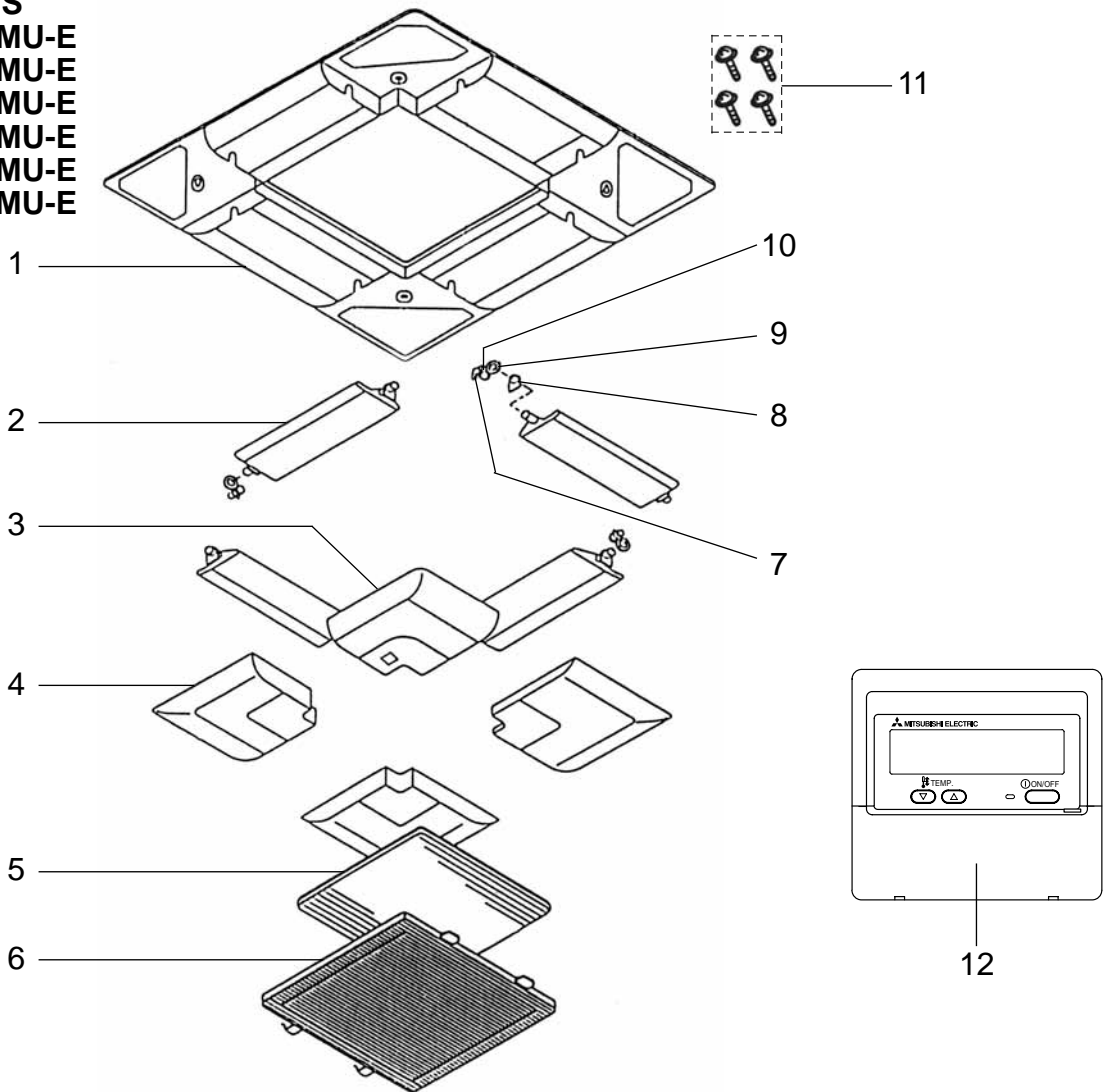
FUNCTIONAL PARTS

PLFY-P12NAMU-E
 PLFY-P15NAMU-E
 PLFY-P18NAMU-E
 PLFY-P24NAMU-E
 PLFY-P30NAMU-E
 PLFY-P36NAMU-E



No.	Part No.	Part Name	Specification	Q'ty/set						Remarks (Drawing No.)	Wiring Diagram Symbol	Recom- mended Q'ty	Price	
				PLFY-P · NAMU-E									Unit	Amount
				12	15	18	24	30	36					
1	T7W E09 529	DRAIN PAN		1	1									
	T7W E06 529	DRAIN PAN				1	1							
	T7W E07 529	DRAIN PAN						1	1					
2	T7W E00 527	DRAIN HOSE		1	1	1	1	1	1					
3	T7W E06 355	DRAIN PUMP		1	1	1	1	1	1		DP			
4	R01 E00 266	DRAIN SENSOR		1	1	1	1	1	1		DS			
5	R01 31K 241	SENSOR HOLDER		1	1	1	1	1	1					
6	R01 E02 313	POWER BOARD		1	1	1	1	1	1		P.B			
7	T7W E42 310	CONTROLLER BOARD		1	1	1	1	1	1		I.B			
8	R01 E58 202	ROOM TEMPERATURE THERMISTOR		1	1	1	1	1	1		TH21			
9	T7W E00 294	ADDRESS BOARD		1	1	1	1	1	1		A.B			
10	T7W E00 304	ADDRESS CABLE		1	1	1	1	1	1					
11	R01 556 246	TERMINAL BLOCK	2P(1,2)	1	1	1	1	1	1		TB15			
12	T7W E17 716	TERMINAL BLOCK	3P(M1,M2,S)	1	1	1	1	1	1		TB5			
13	T7W E11 716	TERMINAL BLOCK	3P(L1,L2,GR)	1	1	1	1	1	1		TB2			
14	T7W E10 255	CAPACITOR	3.0 μ F 440V	1	1	1	1				C			
	T7W E02 255	CAPACITOR	7.0 μ F 440V					1	1		C			
15	R01 A41 524	DRAIN PLUG		1	1	1	1	1	1					
16	R01 A48 524	DRAIN PLUG		1	1	1	1	1	1					
17	T7W E01 304	LEAD ASSY (F/M)		1	1	1	1	1	1					

PANEL PARTS
 PLFY-P12NAMU-E
 PLFY-P15NAMU-E
 PLFY-P18NAMU-E
 PLFY-P24NAMU-E
 PLFY-P30NAMU-E
 PLFY-P36NAMU-E

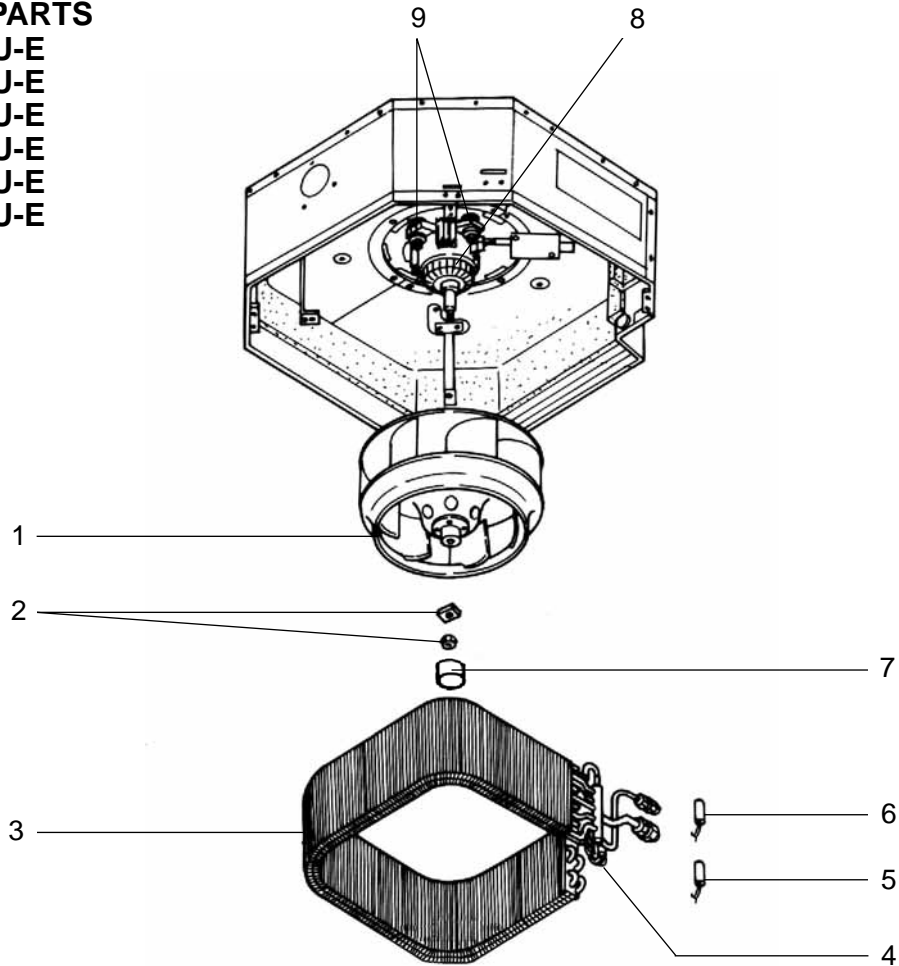


No.	RoHS	Part No.	Part Name	Specification	Q'ty/set					Remarks (Drawing No.)	Wiring Diagram Symbol	Recom- mended Q'ty	Price	
					12/	15/	18/	24/	30/				36/	Unit
					PLFY-P									
					NAMU-E									
1	G	T7W E18 003	AIR OUTLET GRILLE	PLP-40AAU										
2	G	T7W E09 002	GUIDE VANE											
3	G	T7W E02 638	CORNER PANEL											
4	G	R01 E14 638	CORNER PANEL											
5	G	R01 E13 500	L.L.FILTER											
6	G	R01 E44 691	GRILLE ASSY											
7	G	R01 E17 223	STEPPING MOTOR							MV				
8	G	R01 E02 063	VANE BUSH											
9	G	R01 E03 040	GEAR (VANE)											
10	G	R01 E04 040	GEAR (MOTOR)											
11	G	T7W E01 673	SCREW ASSY											
12	G	—	REMOTE CONTROLLER	PAR-21MAA							R.B			

This REMOTE CONTROLLER is made by AIR-CONDITIONING & REFRIGERATION SYSTEMS WORKS, MITSUBISHI ELECTRIC CORPORATION.

FUNCTIONAL PARTS

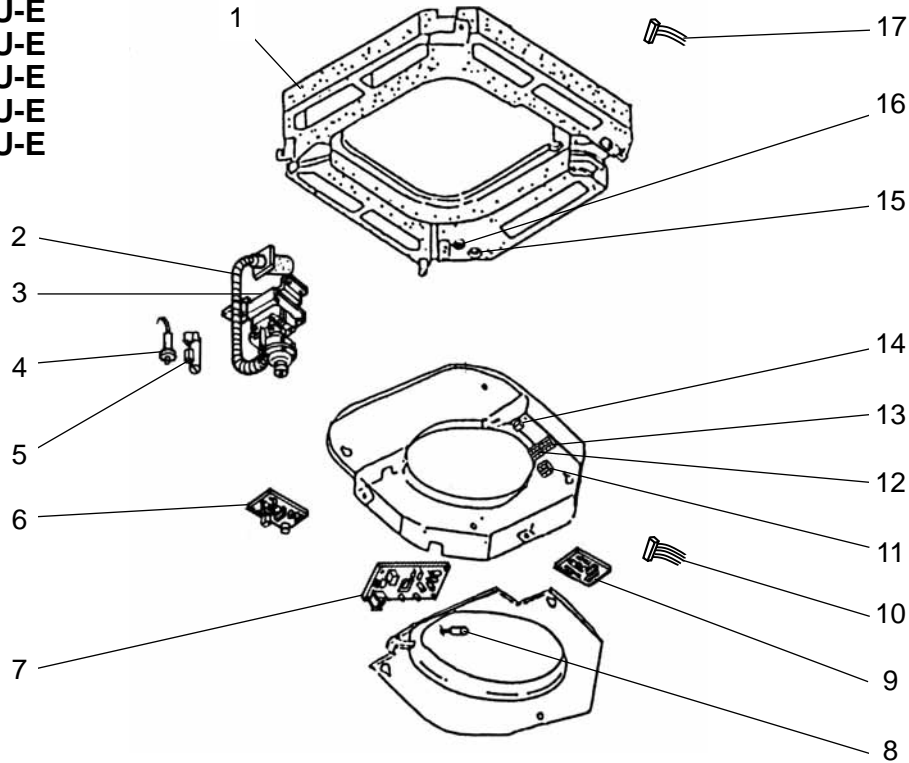
PLFY-P12NAMU-E
 PLFY-P15NAMU-E
 PLFY-P18NAMU-E
 PLFY-P24NAMU-E
 PLFY-P30NAMU-E
 PLFY-P36NAMU-E



No.	RoHS	Part No.	Part Name	Specification	Q'ty/set						Remarks (Drawing No.)	Wiring Diagram Symbol	Recom- mended Q'ty	Price	
					PLFY-P · NAMU-E									Unit	Amount
					12	15	18	24	30	36					
1	G	R01 E28 114	TURBO FAN		1	1	1	1							
	G	R01 E29 114	TURBO FAN					1	1						
2	G	R01 09K 097	SPL WASHER		1	1	1	1	1	1					
3	G	T7W H10 480	HEAT EXCHANGER		1										
	G	T7W H11 480	HEAT EXCHANGER			1									
	G	T7W H12 480	HEAT EXCHANGER				1								
	G	T7W H13 480	HEAT EXCHANGER					1							
	G	T7W K32 480	HEAT EXCHANGER						1	1					
4	G	R01 H07 401	LINEAR EXPANSION VALVE		1	1	1	1			LEV				
	G	R01 E88 401	LINEAR EXPANSION VALVE						1	1	LEV				
5	G	R01 H11 202	PIPE TEMPERATURE THERMISTOR	GAS	1	1	1	1	1	1	TH23				
6	G	R01 H05 202	PIPE TEMPERATURE THERMISTOR	LIQUID	1	1	1	1	1	1	TH22				
7	G	R01 E03 122	MOTOR CAP		1	1	1	1	1	1					
8	G	T7W E27 762	FAN MOTOR	(D17D6P70MS)	1	1	1	1			MF				
	G	T7W E28 762	FAN MOTOR	(D176P110MS)					1	1	MF				
9	G	R01 A51 105	RUBBER MOUNT		4	4	4	4	4	4					

FUNCTIONAL PARTS

PLFY-P12NAMU-E
 PLY-P15NAMU-E
 PLY-P18NAMU-E
 PLY-P24NAMU-E
 PLY-P30NAMU-E
 PLY-P36NAMU-E



No.	ROHS	Part No.	Part Name	Specification	Q'ty/set						Remarks (Drawing No.)	Wiring Diagram Symbol	Recom- mended Q'ty	Price	
					PLFY-P · NAMU-E									Unit	Amount
					12	15	18	24	30	36					
1	G	T7W E26 529	DRAIN PAN		1	1									
	G	T7W E27 529	DRAIN PAN				1	1							
	G	T7W E28 529	DRAIN PAN						1	1					
2	G	T7W E02 527	DRAIN HOSE		1	1	1	1	1	1					
3	G	T7W E13 355	DRAIN PUMP		1	1	1	1	1	1		DP			
4	G	R01 E10 266	DRAIN SENSOR		1	1	1	1	1	1		DS			
5	G	R01 32K 241	SENSOR HOLDER		1	1	1	1	1	1					
6	G	R01 E38 313	POWER BOARD		1	1	1	1	1	1		P.B			
7	G	T7W E57 310	CONTROLLER BOARD		1	1	1	1	1	1		I.B			
8	G	R01 H12 202	ROOM TEMPERATURE THERMISTOR		1	1	1	1	1	1		TH21			
9	G	T7W E01 294	ADDRESS BOARD		1	1	1	1	1	1		A.B			
10	G	T7W E04 304	ADDRESS CABLE		1	1	1	1	1	1					
11	G	R01 E21 246	TERMINAL BLOCK	2P(1,2)	1	1	1	1	1	1		TB15			
12	G	R01 E27 246	TERMINAL BLOCK	3P(M1,M2,S)	1	1	1	1	1	1		TB5			
13	G	T7W E41 716	TERMINAL BLOCK	3P(L1,L2,GR)	1	1	1	1	1	1		TB2			
14	G	T7W E15 255	CAPACITOR	3.0 μ F 440V	1	1	1	1				C			
	G	T7W E14 255	CAPACITOR	7.0 μ F 440V					1	1		C			
15	G	R01 A01 524	DRAIN PLUG		1	1	1	1	1	1					
16	G	R01 A00 524	DRAIN PLUG		1	1	1	1	1	1					
17	G	T7W E05 304	LEAD ASSY (F/M)		1	1	1	1	1	1					

13**OPTIONAL PARTS****13-1. MULTI FUNCTION CASEMENT**

Part No.	PAC-SG03TM-E
----------	--------------

13-2. AIR OUTLET SHUTTER PLATE (20 SETS)

Part No.	PAC-SG06SP-E
----------	--------------

13-3. HIGH EFFICIENCY FILTER ELEMENT (PAC-SG03TM-E IS REQUIRED)

Part No.	PAC-SG01KF
----------	------------

CITY MULTI

 **MITSUBISHI ELECTRIC CORPORATION**

HEAD OFFICE : TOKYO BLDG., 2-7-3, MARUNOUCHI, CHIYODA-KU, TOKYO 100-8310, JAPAN
